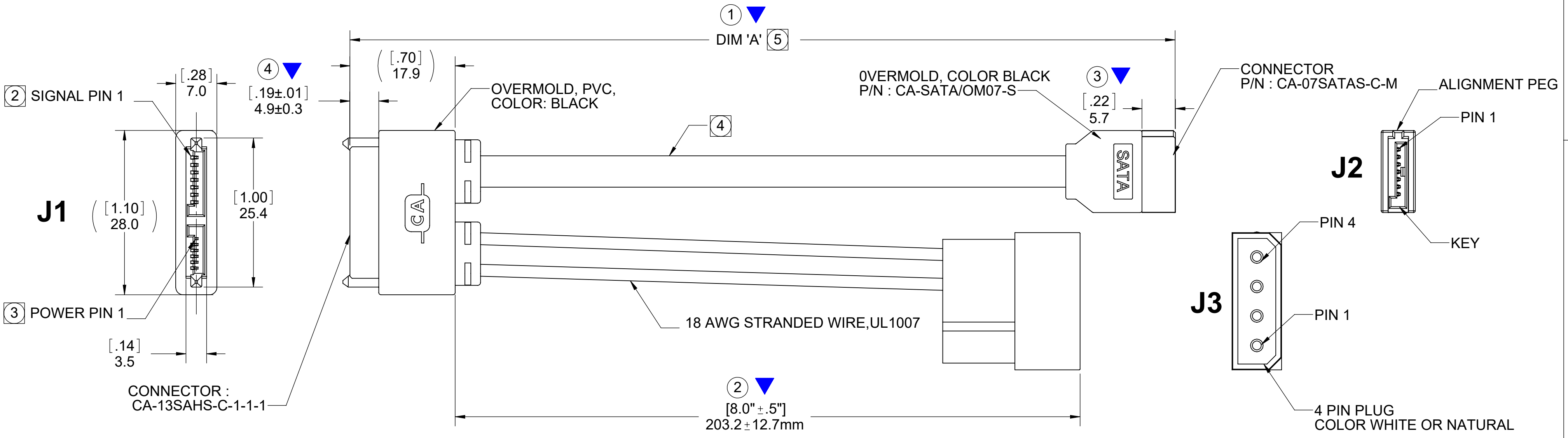


| REVISIONS | | | | |
|-----------|-----------------------------|-------------|----------|--|
| LTR | DESCRIPTION | DATE | APPROVED | |
| A | INITIAL RELEASE SEE DO 6681 | CP 06-24-08 | A.J. | |
| B | SEE DO 6790 | CP 12-15-08 | I.M. | |
| C | SEE DO 7353 | CP 03-04-16 | I.M. | |
| D | SEE DO 7559 | CP 02-25-20 | T.L. | |
| E | SEE DO 7602 | CP 02-08-21 | T.L. | |

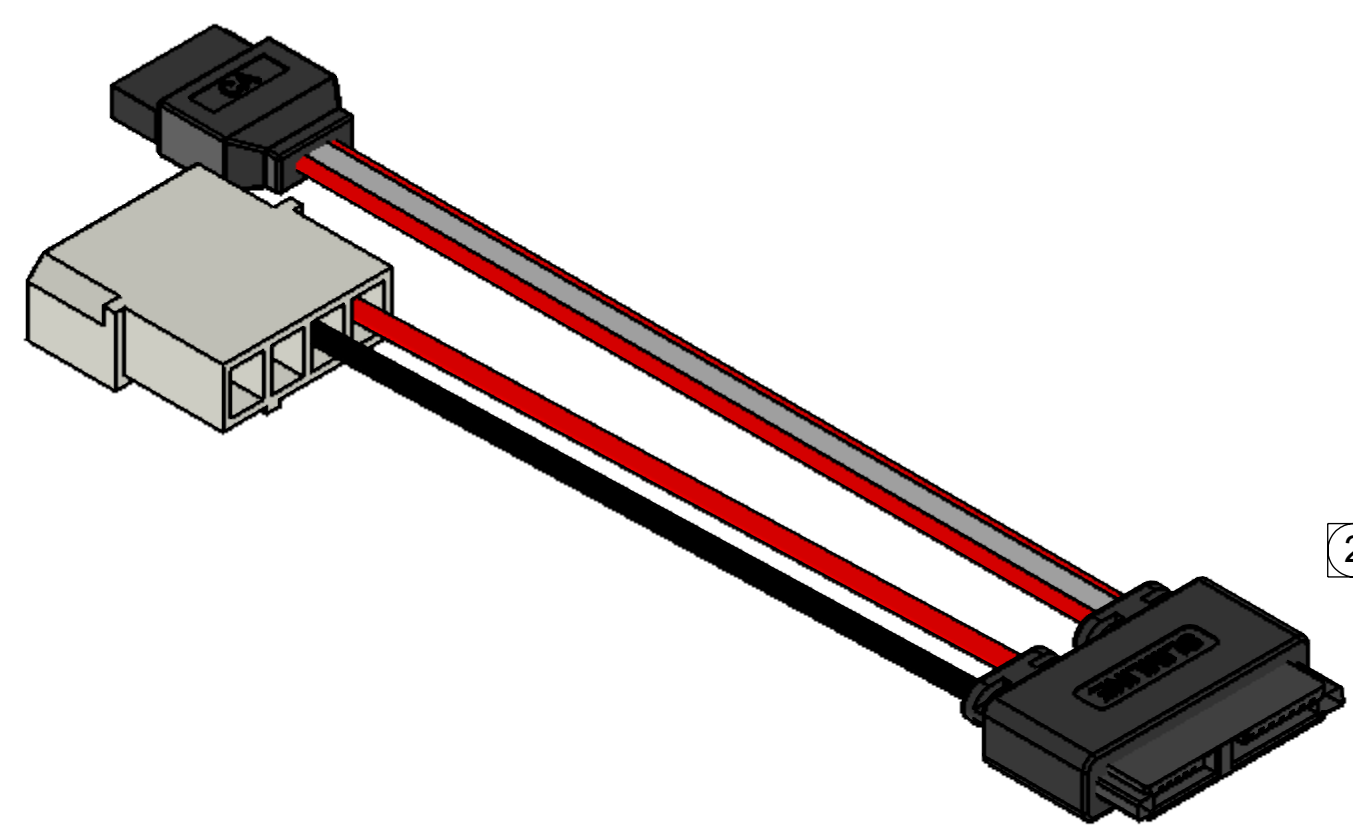


ORDERING NOMENCLATURE :

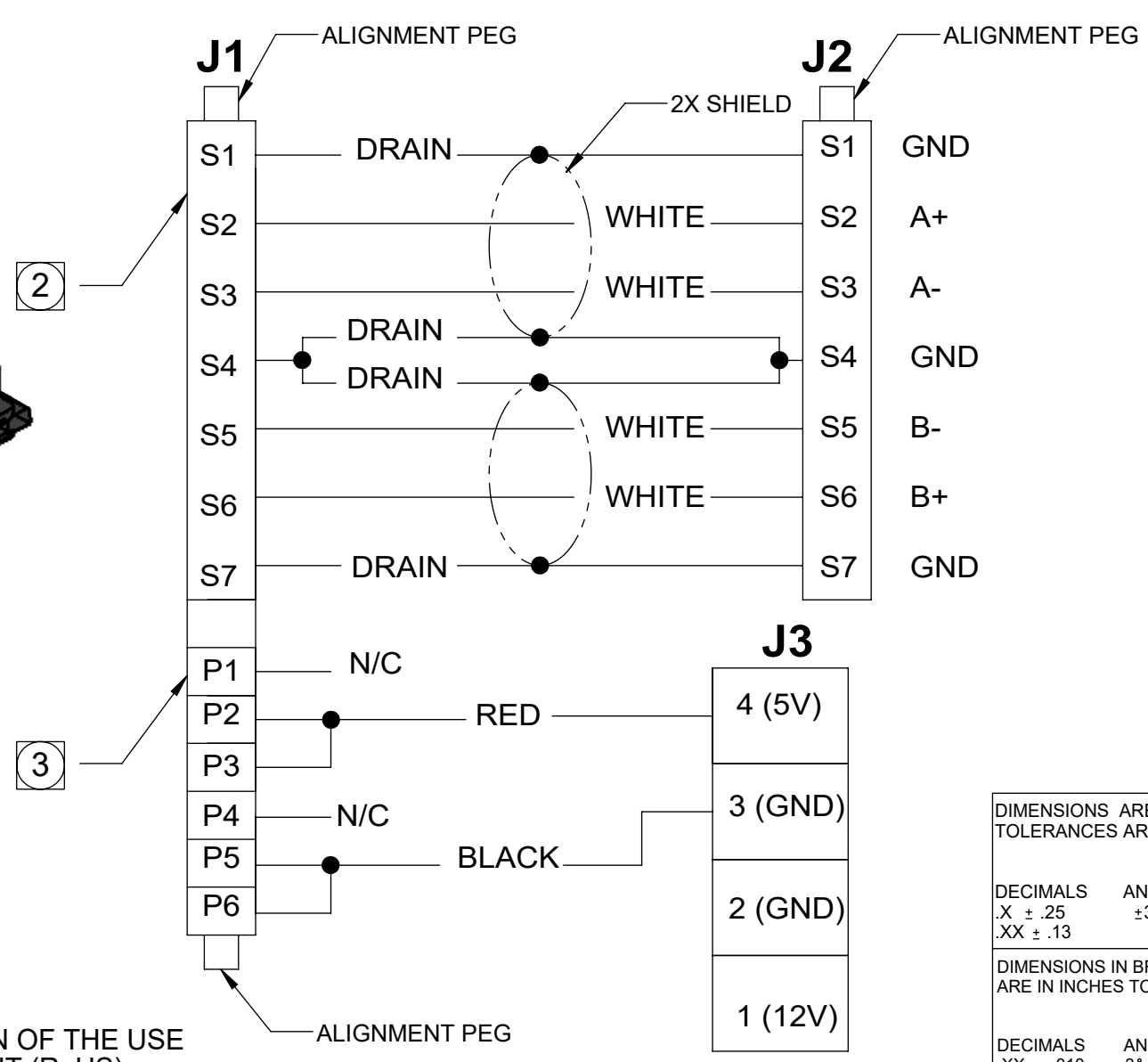
CA-U709089 - X.XM

5 LENGTH : _____
(DIM 'A' IN METERS)
0.5M = 0.5M ± .025M
1.0M = 1.0M ± .05M

CONSULT FACTORY FOR OTHER LENGTHS



2 3 WIRING DIAGRAM :



5. MARK "▼" DIMENSION MUST BE CONTROLLED.
MARK "⊗" IS DIMENSION NO.

4 USE SERIAL ATA COMPLIANT CABLE, COLOR: RED, 26 AWG, APPROVED SOURCES :
SPACE SHUTTLE
DerAn
OR CA APPROVED EQUIVALENT

3 REFER TO POWER WIRING DIAGRAM.
2 REFER TO SIGNAL WIRING DIAGRAM.

1. MEETS THE REQUIREMENTS OF THE EUROPEAN PARLIAMENT AND THE RESTRICTION OF THE USE OF CERTAIN HAZARDOUS SUBSTANCES IN ELECTRICAL AND ELECTRONIC EQUIPMENT (RoHS).

NOTES : UNLESS OTHERWISE SPECIFIED

DIMENSIONS ARE IN MILLIMETER
TOLERANCES ARE:

| | |
|----------|--------|
| DECIMALS | ANGLES |
| X ± .25 | ± 3° |
| XX ± .13 | |

DIMENSIONS IN BRACKET [X.XX]
ARE IN INCHES TOLERANCES ARE:

| | |
|-------------|--------|
| DECIMALS | ANGLES |
| XX ± .010 | ± 3° |
| .XXX ± .005 | |

DO NOT SCALE DRAWING

| APPROVALS | DATE |
|------------------|----------|
| DRAWN CUONG P. | 06-24-08 |
| CHECKED A.JOCHEN | 06-24-08 |

CA CIRCUIT ASSEMBLY CORP.
6 AUTRY SUITE 150, IRVINE, CALIFORNIA 92618

CABLE ASSEMBLY - SATA SERIES
CA-T13SAHS/07SATA/04PIN-XX.X
'RoHS'

| | | | |
|------|----------------|----------------|----------|
| SIZE | CODE IDENT NO. | DRAWING NO. | REV. |
| C | 52072 | U709089 | E |

SCALE: 2:1 SHEET 1 OF 1