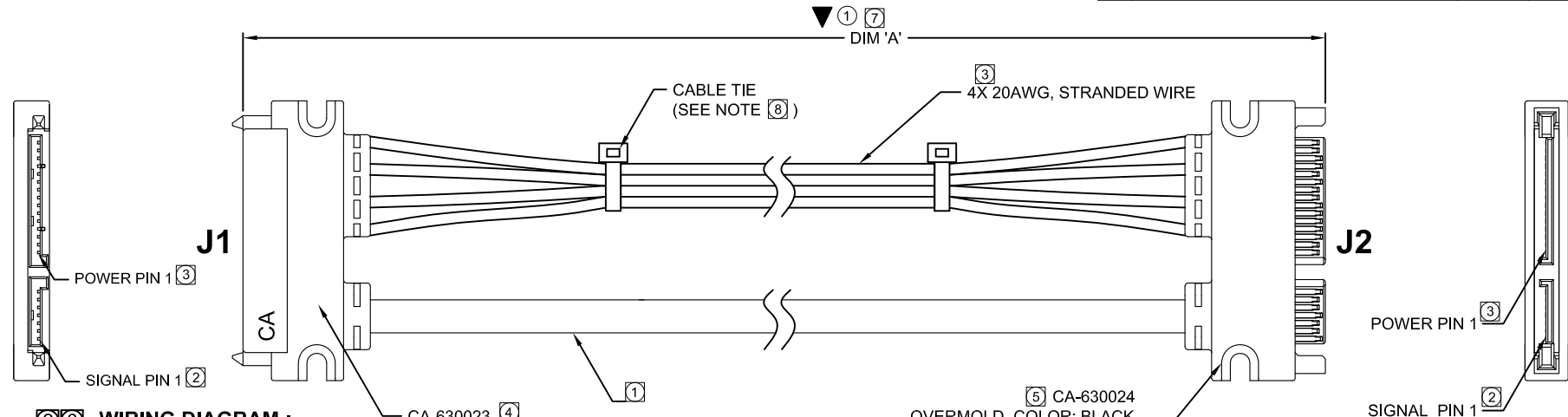
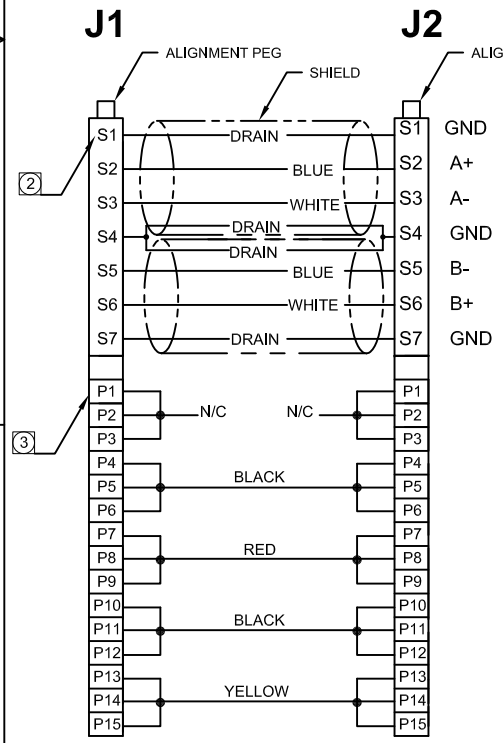


REVISIONS				
LTR	DESCRIPTION	DATE	APPROVED	
A	INITIAL RELEASE SEE DO 5912	CP 10-24-05	L.F.	
B	SEE DO 6250	CP 10-13-06	I.M.	
C	SEE DO 7138	CP 08-18-11	I.M.	
D	SEE DO 7363	CP 05-23-16	I.M.	
E	SEE DO 7559	CP 02-25-20	T.L.	
F	SEE DO 7613	CP 04-26-21	T.L.	



**WIRING DIAGRAM :**



ORDERING NOMENCLATURE :

**CA-U709055 - XX.X-X**

**SERIAL ATA  
CABLE ASSEMBLY**

**LENGTH** \_\_\_\_\_  
(DIM 'A' INCHES) (7)  
TOLERANCES ARE :  
<6" [.15M] ± .5" [.013M]  
>6" [.15M] TO 24" [.61M] ± 1" [.025M]

**CABLE COLOR:** (1)  
R = TRANSLUCENT RED  
B = TRANSLUCENT BLUE

- (9) MARK "▼" DIMENSION MUST BE CONTROLLED.  
MARK "⊗" IS DIMENSION NO.
- (8) - CABLE LENGTH <6.0" [0.15M] HAVE 1 CABLE TIE.  
- CABLE LENGTH >6.0" [0.15M] TO 24"[0.61M] HAVE 2 CABLE TIES.
- 6. MEETS THE REQUIREMENTS OF THE EUROPEAN PARLIAMENT AND THE RESTRICTION OF THE USE OF CERTAIN HAZARDOUS SUBSTANCES IN ELECTRICAL AND ELECTRONIC EQUIPMENT. (RoHS)
- (5) FOR DETAIL REFER TO DWG. # 630024
- (4) FOR DETAIL REFER TO DWG. # 630023
- (3) POWER WIRING DIAGRAM
- (2) SIGNAL WIRING DIAGRAM
- (1) USE SERIAL ATA COMPLIANT CABLE, 26AWG APPROVED SOURCES :  
(SEE ORDERING NOMENCLATURE FOR CABLE COLOR)  
- DER AN  
- OR CA APPROVED EQUIVALENT

NOTES : UNLESS OTHERWISE SPECIFIED

DIMENSIONS ARE IN INCHES TOLERANCES ARE :		APPROVALS		DATE		CIRCUIT ASSEMBLY CORP.	
DECIMALS	ANGLES	DRAWN CUONG P.		10-24-05		6 AUTRY SUITE 150, IRVINE, CALIFORNIA 92618	
.XX ± .025	±3°	CHECKED LEROY FONG		10-24-05		<b>CABLE ASSEMBLY - SATA SERIES</b>	
DIMENSIONS IN BRACKETS [X.XX] ARE MILLIMETERS		THE INFORMATION AND DESIGN DISCLOSED HEREIN WAS ORIGINATED BY AND IS THE PROPERTY OF CIRCUIT ASSEMBLY CORPORATION. CIRCUIT ASSEMBLY CORPORATION RESERVES ALL PATENT, PROPRIETARY, DESIGN, MANUFACTURING, REPRODUCTION, USE AND SALES RIGHTS THEREON, AND TO ANY ARTICLES DISCLOSED HEREIN EXCEPT TO THE EXTENT RIGHTS ARE EXPRESSLY GRANTED TO OTHERS. THE FOREGOING DOES NOT APPLY TO THIRD-PARTY RIGHTS.					
DECIMALS	ANGLES	SIZE		CODE IDENT NO.		DRAWING NO.	
.X ± .04	±3°	C		52072		<b>U709055</b>	
DO NOT SCALE DRAWING		SCALE: 2 : 1		SHEET 1 OF 1		REV. <b>F</b>	