

Pitch: .050" x .100"

BOX HEADER, LOW PROFILE RIGHT ANGLE

SPECIFICATIONS

ENVIRONMENTAL

Temperature Range: -55°C to +105°C

MECHANICAL

Insulator Material: Glass-filled polyester, blue, UL94V-0

Contact Material: Phosphor Bronze

Contact Plating: Contact Area: 12µ IN gold
Tail Area: 100µ IN tin

ELECTRICAL

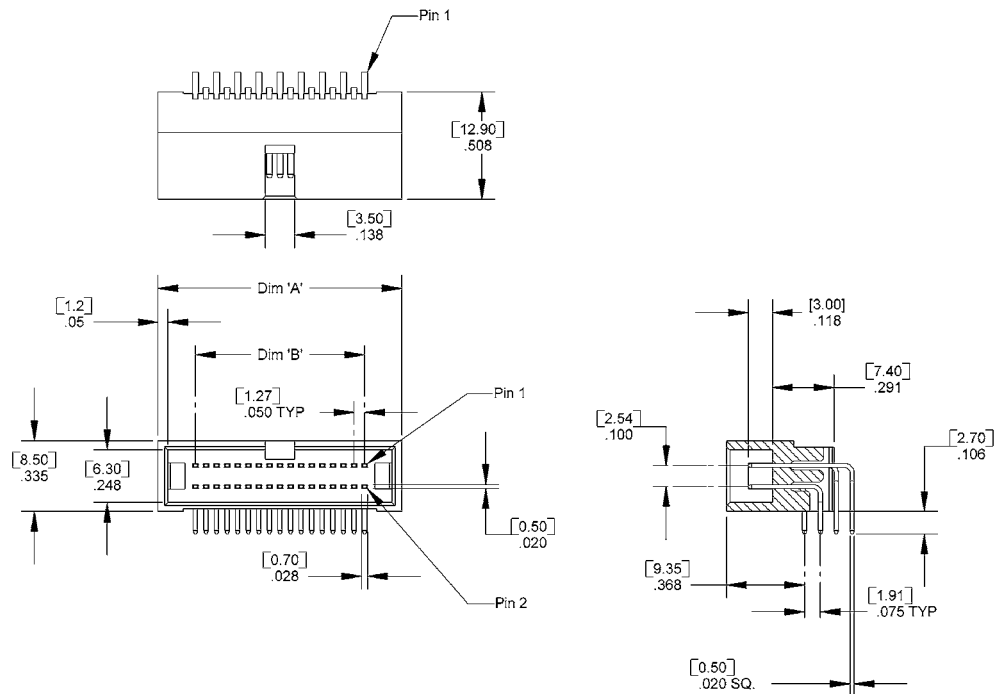
Current Rating: 0.5 AMP

Consult factory for additional options

CA- POSITION NFHLR-12GT

POSITION	
16	50
20	60
26	68
34	80
40	

DIMENSIONS		
Position	A	B
16	.703 [17.85]	.350 [8.89]
20	.803 [20.40]	.450 [11.43]
26	.953 [24.20]	.600 [15.24]
34	1.153 [29.28]	.800 [20.32]
40	1.303 [33.09]	.950 [24.13]
50	1.553 [39.44]	1.200 [30.48]
60	1.803 [45.79]	1.450 [36.83]
68	2.003 [50.87]	1.650 [41.91]
80	2.303 [58.49]	1.950 [49.53]



Mating Product: NFS (page 73)
Drawing Number: CA-620355



For more information please contact our customer service department or visit our website at circuitassembly.com

Circuit Assembly Worldwide Hqtrs. 3A Vanderbilt, Irvine, CA 92618-2030 USA Tel 1-949-855-7887 Fax 1-949-855-4298

