



Pitch: .050" x .100"

## SHROUDED EJECT HEADER

### SPECIFICATIONS

#### ENVIRONMENTAL

Temperature Range: -55°C to +105°C

#### MECHANICAL

Insulator Material: Glass-filled polyester, blue, UL94V-0

Contact Material: Phosphor Bronze

Contact Plating: Contact Area: 12μ IN gold  
Tail Area: 100μ IN tin

#### ELECTRICAL

Current Rating: 0.5 AMP

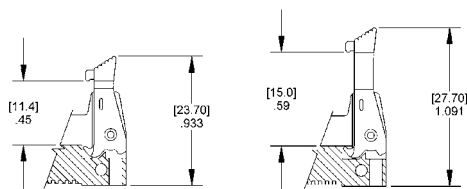
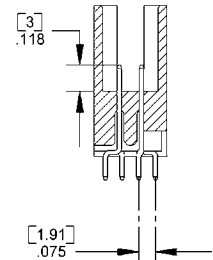
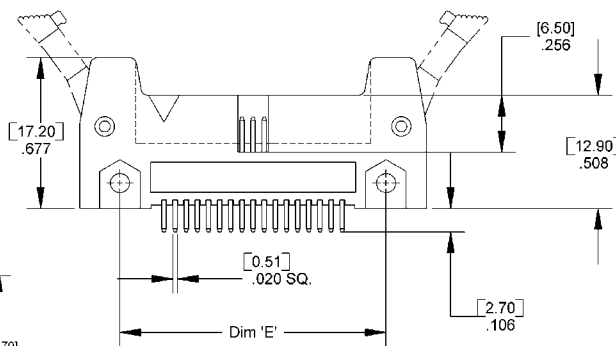
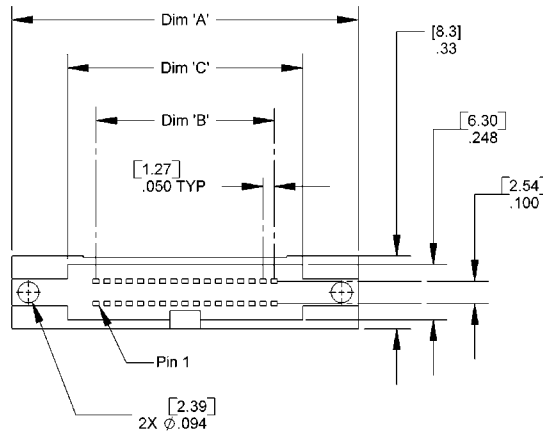
Consult factory for additional options

4

## CA- POSITION NFH-12GT- LATCH

POSITION	LATCH LENGTH
10 50	10 = Short
16 60	20 = Long
20 64	
26 80	
34 100	
40	

DIMENSIONS				
Position	A	B	C	E
10	.955 [24.26]	.200 [5.08]	.456 [11.58]	.594 [15.09]
16	1.105 [28.07]	.350 [8.89]	.606 [15.39]	.744 [18.90]
20	1.205 [30.61]	.450 [11.43]	.706 [17.93]	.844 [21.44]
26	1.355 [34.42]	.600 [15.24]	.856 [21.74]	.994 [25.25]
34	1.555 [39.50]	.800 [20.32]	1.056 [26.82]	1.194 [30.33]
40	1.705 [43.31]	.950 [24.13]	1.206 [30.63]	1.344 [34.14]
50	1.955 [49.66]	1.200 [30.48]	1.456 [36.98]	1.594 [40.49]
60	2.205 [56.01]	1.450 [36.83]	1.706 [43.33]	1.844 [46.84]
64	2.305 [58.55]	1.550 [39.37]	1.806 [45.87]	1.944 [49.38]
80	2.705 [68.71]	1.950 [49.53]	2.206 [56.03]	2.344 [59.54]
100	3.206 [81.43]	2.450 [62.23]	2.706 [68.73]	2.844 [72.24]



Mating Product: NFS (page 73)  
Drawing Number: CA-620341

