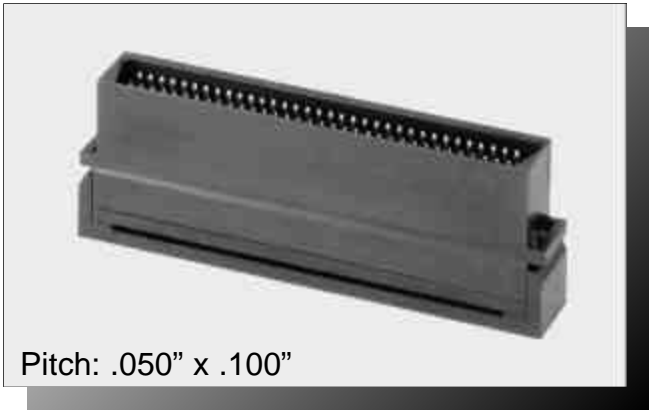


2



Pitch: .050" x .100"

# INSULATION DISPLACEMENT PLUG SCSI-2/3

### SPECIFICATIONS

Meets: SCSI-3 standard

### ENVIRONMENTAL

Temperature Range: -55°C to +105°C

### MECHANICAL

Insulator Material: Glass-filled polyester, black, UL94V-0

Contact Material: Phosphor Bronze

Contact Plating: Mating Area: 30µ IN gold

Terminates to: .025" cable, 30 AWG

### ELECTRICAL

Current Rating: 0.5 AMP

Consult factory for additional plating options

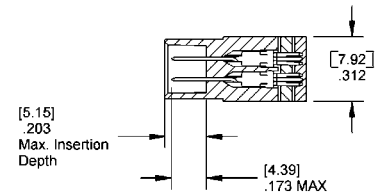
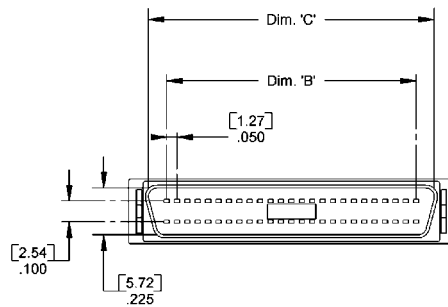
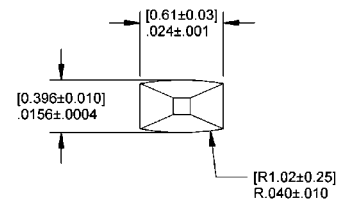
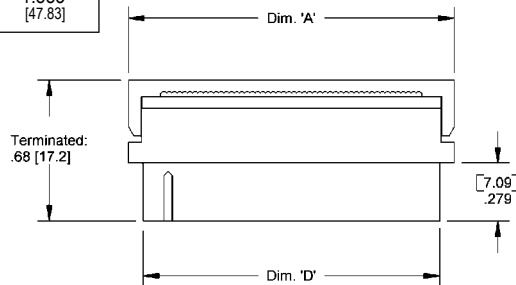


Patented 4 Point/3 Blade

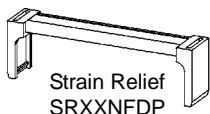
CA- POSITION NFDP-E-P- OPTION

POSITION	ACCESSORY OPTIONS
50	SR = Strain Relief
68	LSR = Latching Strain Relief (68 position only)

DIMENSIONS				
Position	A	B	C	D
50	1.568 [39.83]	1.200 [30.48]	1.372 [34.85]	1.425 [36.20]
68	2.018 [51.26]	1.650 [41.91]	1.822 [46.28]	1.883 [47.83]



Latching Strain Relief  
LSR68NFDP



Strain Relief  
SRXXNFDP

Top Exit Strain Relief available

Mating Product: HDSR (page 53), NFDS (page 50-51) & other board mount sockets

Drawing Number: CA-620351

