

Pitch: .100" x .100"

## BOX HEADER RIGHT ANGLE

### SPECIFICATIONS

#### ENVIRONMENTAL

Temperature Range: -55°C to +105°C

#### MECHANICAL

Insulator Material: Glass-filled polyester, gray, UL94V-0

Contact Material: Phosphor Bronze

Contact Plating: Contact Area: 15µ IN gold  
Tail Area: 150µ IN tin

#### ELECTRICAL

Current Rating: 1 AMP

Consult factory for additional options

4

## CA-POSITION HLR-1C

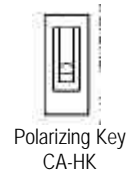
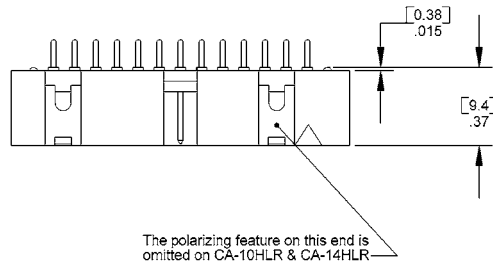
POSITION	
10*	34
14	40
16	50
20	60
26	

#### Polarization Notes:

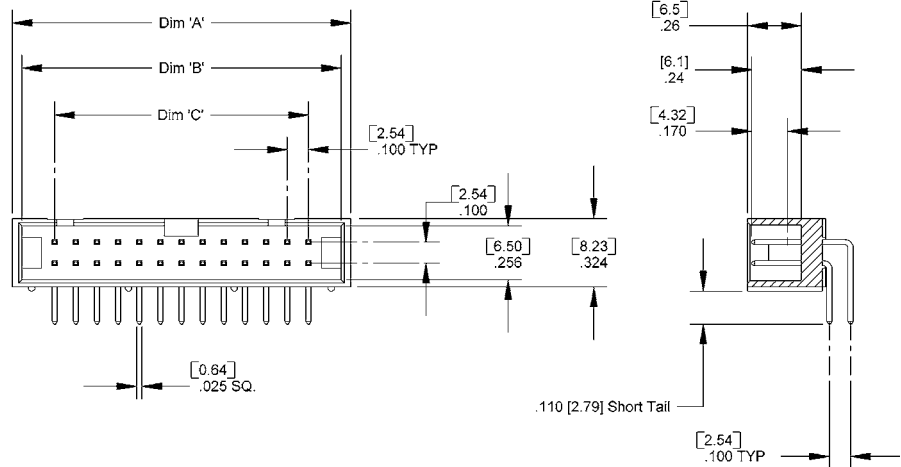
14-60 positions have center polarization slot

\*Standard 10 position has NO polarization slot, but does have 1 polarizing feature

10 position - SPT available with polarization, without HK location: CA-10HLR-1C-SPT



DIMENSIONS			
Position	A	B	C
10	.80 [20.3]	.71 [18.0]	.400 [10.16]
14	1.00 [25.4]	.91 [23.1]	.600 [15.24]
16	1.10 [27.9]	1.01 [25.6]	.700 [17.78]
20	1.30 [33.0]	1.21 [30.7]	.900 [22.86]
26	1.60 [40.6]	1.51 [38.4]	1.200 [30.48]
34	2.00 [50.8]	1.91 [48.5]	1.600 [40.64]
40	2.30 [58.4]	2.21 [56.1]	1.900 [48.26]
50	2.80 [71.1]	2.71 [68.8]	2.400 [60.96]
60	3.30 [83.8]	3.21 [81.5]	2.900 [73.66]



Mating Product: IDS2 (page 80), IDS3 (page 78), FID (page 79), ATAS (page 42)

Drawing Number: CA-620087

