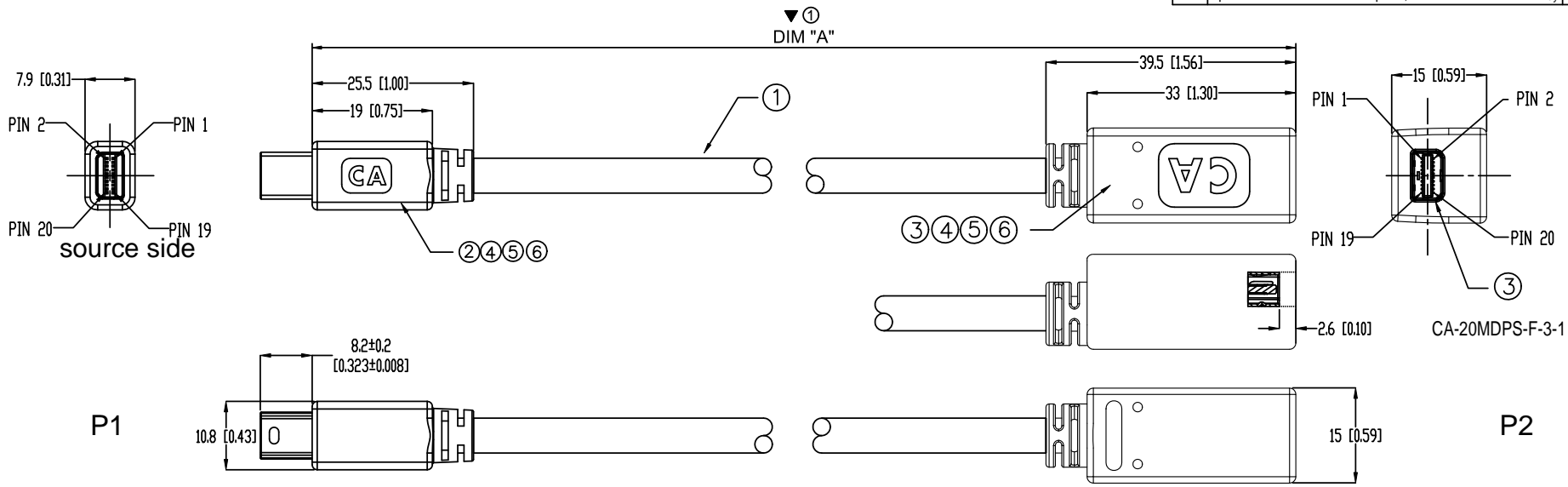


| REVISIONS | | | |
|-----------|--|------------------|----------|
| LTR | DESCRIPTION | DATE | APPROVED |
| A | INITIAL RELEASE SEE DOH3391 | Beyond 05-27-09' | Ray |
| B | ADD DIM "A" MARKING SEE DOH3392 | Beyond 06-10-09' | Ray |
| C | CHANGE CA-20MDPS2-F SEE DOH3460 | Beyond 07-07-09' | Ray |
| D | REVISED OVERMOLD SEE DOH3478 | Beyond 08-03-09' | Ray |
| E | CHANGE MDPS OVERMOLD SEE DOH3649 | Beyond 10-30-09' | Ray |
| F | CHANGE 20MDPS-F-3-1 SEE DOH3858 | Beyond 03-08-10' | Ray |
| G | CHANGE MDPS OVERMOLD SEE DOH3965 | Beyond 04-09-10' | Ray |
| H | CHANGE CA LOGO SIZE SEE DOH4625 | Joyce 06-02-11' | Ray |
| J | REMOVE DP LOGO SEE DOH5732 | Paul 11-14-13' | Ray |
| K | Update Rohs and title description,see DO:H8508 | Andy 04-27-21' | Ray |



- NOTE:**
1. ELECTRICAL SPECIFICATION:
CABLE MUST PASS CONTINUITY TEST
INSULATION RESISTANCE: 10M OHM MIN.
CONDUCTOR RESISTANCE: 1~3M, 3 OHM; 3.01~7M, 5 OHM; 7.01~10M, 8 OHM;
10.01~13M, 9 Ohm; 13.01~17M, 12 OHM; 17.01~20M, 14 OHM
HI-VOLTAGE: 200V DC/0.1SEC.
 2. MEETS THE REQUIREMENTS OF THE EUROPEAN PARLIAMENT AND THE RESTRICTION OF THE USE OF CERTAIN HAZARDOUS SUBSTANCES IN ELECTRICAL AND ELECTRONIC EQUIPMENT. (ROHS)
 3. MARK ▼ DIMENSION MUST CONTROL, MARK "Ⓝ" IS DIMENSION No.

CA-H713026-XX.XX

CABLE LENGTH

DIM "A" IN METERS

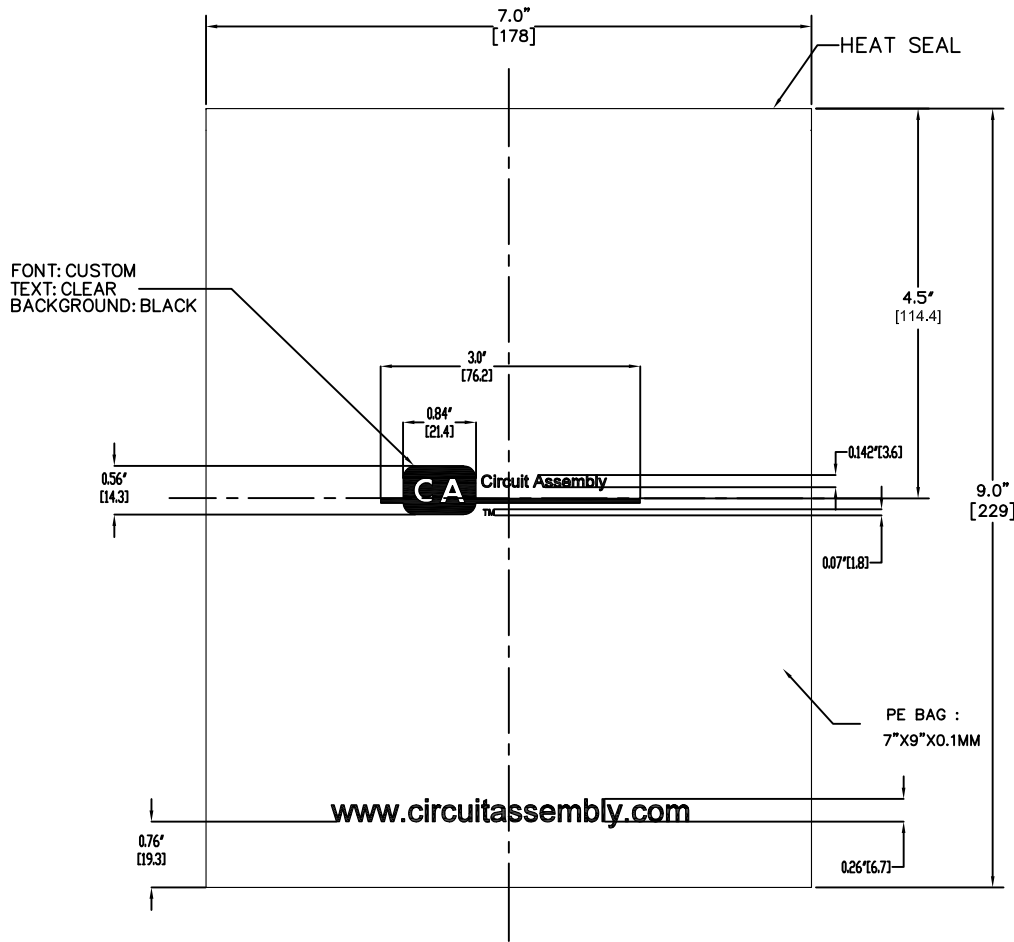
| | | |
|-------------|-------------------|---------------------|
| Tolerances: | 0.5m&Below:±25mm; | 5.0m~10.0m:±250mm; |
| | 0.5m~1.0m:±50mm; | 1.0m~3.0m:±75mm; |
| | 3.0m~5.0m:±130mm; | 10.0m~20.0m:±500mm; |

| ITEM | DESCRIPTION | UNITS | Q'TY |
|------|---|-------|------|
| ⑥ | PVC 45P, UL 94V-0, WHITE (CA: 9H). | KG | N/A |
| ⑤ | COPPER FOIL | M | N/A |
| ④ | LOW DENSITY CLEAR PE | KG | N/A |
| ③ | MINI Display Port 20PIN FEMALE, GOLD PLATED 30u", NI PLATED SHELL. CA-20MDPS-F-3-1 | SET | 1 |
| ② | MINI Display Port 20PIN MALE, GOLD PLATED 30u", NI PLATED SHELL. | SET | 1 |
| ① | UL20276, [32AWG(STRAINED)*1P+D+FAM]X5PCS+{32AWG(STRAINED)*5C}+AB, OD=5.5mm,WHITE PVC JACKET, MARKED "www.circuitassembly.com". | MM | N/A |

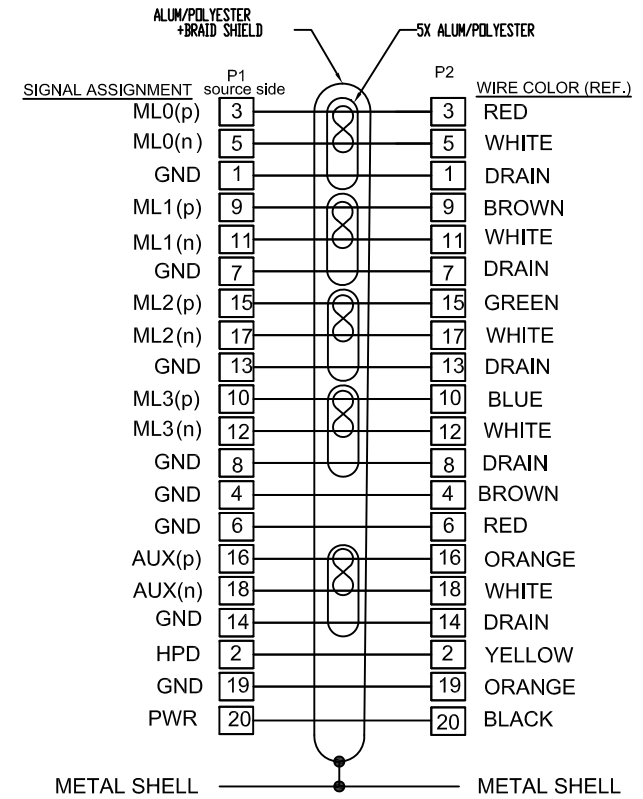
| DIMENSIONS ARE IN MILLIMETERS TOLERANCES ARE: DECIMALS ANGLES X ±.50 ±3" XX ±.25 | APPROVALS | DATE | CIRCUIT ASSEMBLY SHENZHEN 10 XING ROAD, AOBEI 2ND VILLAGE, HENGGANG TOWN | | | | | | | | |
|--|--|--------------|--|------|----------------|-------------|------|---|-------|---------|---|
| | DRAWN Beyond | 05-27-09' | | | | | | | | | |
| DIMENSIONS IN BRACKETS (X.XX) ARE IN INCHES TOLERANCES ARE: DECIMALS ANGLES XX ±.02 ±3" XXX ±.01 | CHECKED Andy | 05-27-09' | CABLE ASSEMBLY-DISPLAYPORT SERIES 32AWG, 20MDPP_MALE TO 20MDPS_FEMALE "RoHS" | | | | | | | | |
| | APPROVED Ray | 05-27-09' | | | | | | | | | |
| DO NOT SCALE DRAWING | THE INFORMATION AND DESIGN DISCLOSED HEREIN WAS ORIGINATED BY AND IS THE PROPERTY OF CIRCUIT ASSEMBLY CORPORATION. CIRCUIT ASSEMBLY CORPORATION RESERVES ALL PATENT, PROPRIETARY, DESIGN, MANUFACTURING, REPRODUCTION, USE AND SALES RIGHTS THERETO, AND TO ANY ARTICLE DISCLOSED HEREIN EXCEPT TO THE EXTENT RIGHTS ARE EXPRESSLY GRANTED TO OTHERS. THE FOREGOING DOES NOT APPLY TO VENDOR PROPRIETARY RIGHTS. | | <table border="1"> <tr> <th>SIZE</th> <th>CODE IDENT NO.</th> <th>DRAWING NO.</th> <th>REV.</th> </tr> <tr> <td>C</td> <td>52072</td> <td>H713026</td> <td>K</td> </tr> </table> | SIZE | CODE IDENT NO. | DRAWING NO. | REV. | C | 52072 | H713026 | K |
| SIZE | CODE IDENT NO. | DRAWING NO. | REV. | | | | | | | | |
| C | 52072 | H713026 | K | | | | | | | | |
| SCALE: 1 : 1 | | SHEET 1 OF 2 | | | | | | | | | |

PACKAGE SPECIFICATION

| REVISIONS | | | |
|------------|-------------|------|----------|
| LTR | DESCRIPTION | DATE | APPROVED |
| SEE PAGE 1 | | | |



WIRING DIAGRAM :



NOTES:

PE "Circuit Assembly,™"AND
 "www.circuitassembly.com"TEXT
 TYPE: ARIAL ,TEXT COLOR:BLACK

| | |
|--|--------|
| DIMENSIONS ARE IN MILLIMETERS TOLERANCES ARE: | |
| DECIMALS | ANGLES |
| .X ±.50 | ±3° |
| XX ±.25 | |
| DIMENSIONS IN BRACKETS [X.XX] ARE IN INCHES TOLERANCES ARE: | |
| DECIMALS | ANGLES |
| .XX ±.02 | ±3° |
| XXX ±.01 | |
| DO NOT SCALE DRAWING | |

| APPROVALS | | DATE |
|-----------|--------|----------|
| DRAWN | Beyond | 05-27-09 |
| CHECKED | Andy | 05-27-09 |
| APPROVED | Roy | 05-27-09 |

| | | | |
|--|----------------|--------------|------|
| CIRCUT ASSEMBLY SHENZHEN AO XING ROAD, AOBEL 2ND VILLAGE, HENGANG TOWN | | | |
| CABLE ASSEMBLY-DISPLAYPORT SERIES 32AWG, 20MDPP_MALE TO 20MDPS_FEMALE "RoHS" | | | |
| SIZE | CODE IDENT NO. | DRAWING NO. | REV. |
| C | 52072 | H713026 | K |
| SCALE: 1:1 | | SHEET 2 OF 2 | |