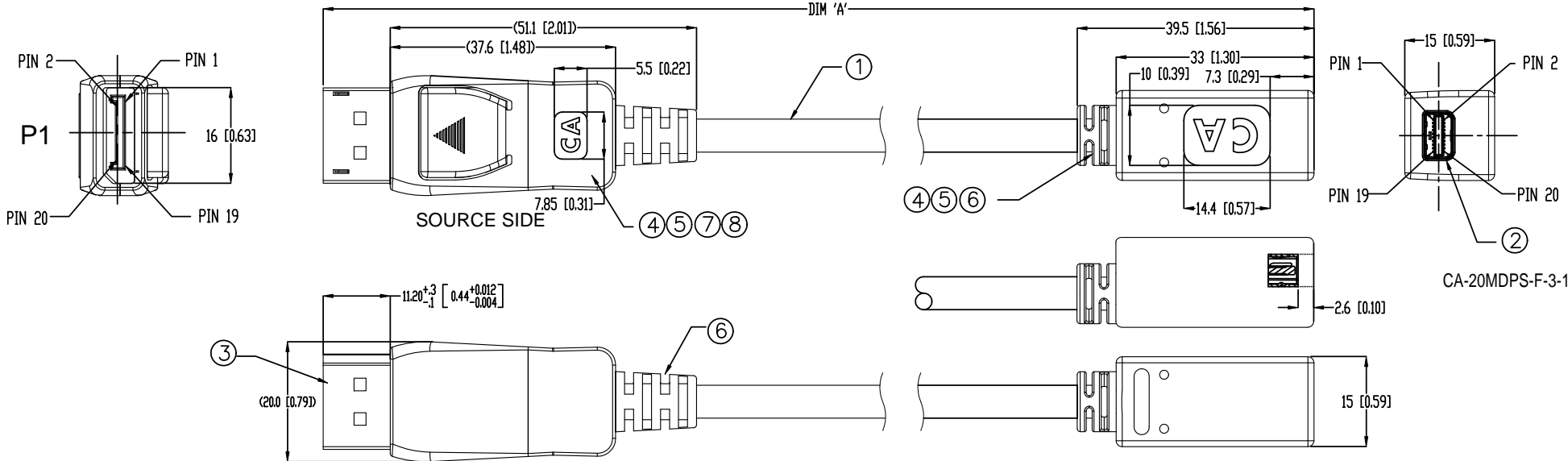


LTR	DESCRIPTION	DATE	APPROVED
A	INITIAL RELEASE SEE DOH3374 Joyce	05-15-09	Ray
B	CHANGE 20MDPS2-F SEE DOH3460 Beyond	07-16-09	Ray
C	REVISE SHAPE SEE DOH3478 Beyond	08-03-09	Ray
D	CHANGE OVERMOLD SEE DOH3649 Beyond	10-26-09	Ray
E	CHANGE 20MDPS-F-3-1 SEE DOH3858 Beyond	03-08-10	Ray
F	CHANGE OVERMOLD SEE DOH3965 Beyond	04-09-10	Ray
G	CHANGE CA LOGO SIZE SEE DOH4625 Joyce	06-02-11	Ray
H	REMOVE DP LOGO SEE DOH5732 Paul	11-14-13	Ray
J	Change Rohs See DO:H8494 Angel	02-02-21	Ray



NOTE:

- ELECTRICAL SPECIFICATION:
CABLE MUST PASS CONTINUITY TEST
INSULATION RESISTANCE: 10M OHM MIN.
CONDUCTOR RESISTANCE:3M&BELOW:3 OHM;3.01~5M:5 OHM;5.1~8M: 8 OHM.
HI-VOLTAGE: 200V DC/0.1SEC.
- MEETS THE REQUIREMENTS OF THE EUROPEAN PARLIAMENT AND THE RESTRICTION OF THE USE OF CERTAIN HAZARDOUS SUBSTANCES IN ELECTRICAL AND ELECTRONIC EQUIPMENT.(RoHS)
- MARK "▼" "DIMENSION MUST BE CONTROLLED."
MARK "⊗" "IS DIMENSION No.

CA-H713020-XX.XX

CABLE LENGTH
DIM "A" IN METERS
CONSULT FACTORY FOR OTHER LENGTHS AVAILABLE, TOLERANCE :

DIM 'A'	TOLERANCE (IN METERS)
.01M-.5M	±.025M
.51M-1.0M	±.05M
1.01M-3.0M	±.075M
3.01M-5.0M	±.13M

ITEM	DESCRIPTION	UNITS	Q'TY
⑧	DP TOP AND BOTTOM SHELL,TIN PLATED	SET	1
⑦	BOTTOM AND TOP COVER,WHITE ABS,ASSEMBLY TYPE	SET	1
⑥	PVC 45P, UL 94V-0, WHITE (CA: 9H).	KG	N/A
⑤	COPPER FOIL	M	N/A
④	LOW DENSITY CLEAR PE	KG	N/A
③	Display Port/M, GOLD PLATED 30u", GOLD PLATED SHELL,BOTTOM AND TOP HOOD TIN PLATED	SET	1
②	MINI Display Port 20PIN FEMALE, GOLD PLATED 30u", NI PLATED SHELL, CA-20MDPS-F-3-1.	SET	1
①	UL20276, [32AWG(STRAINED)]*1P+D+FAM]X5PCS+[32AWG(STRAINED)*5C]+AB, OD=5.5mm,WHITE PVC JACKET, MARKED "www.circuitassembly.com"	MM	N/A

DIMENSIONS ARE IN MILLIMETERS TOLERANCES ARE:		APPROVALS	DATE
DRAWN	Joyce	05-15-09	
CHECKED	Andy	05-15-09	
APPROVED	Ray	05-15-09	

DECIMALS ANGLES
X ±.30 ±3°
XX ±.15

DIMENSIONS IN BRACKETS [X.XX] ARE IN INCHES TOLERANCES ARE:

DECIMALS ANGLES
XX ±.012 ±3°
XXX ±.006

DO NOT SCALE DRAWING

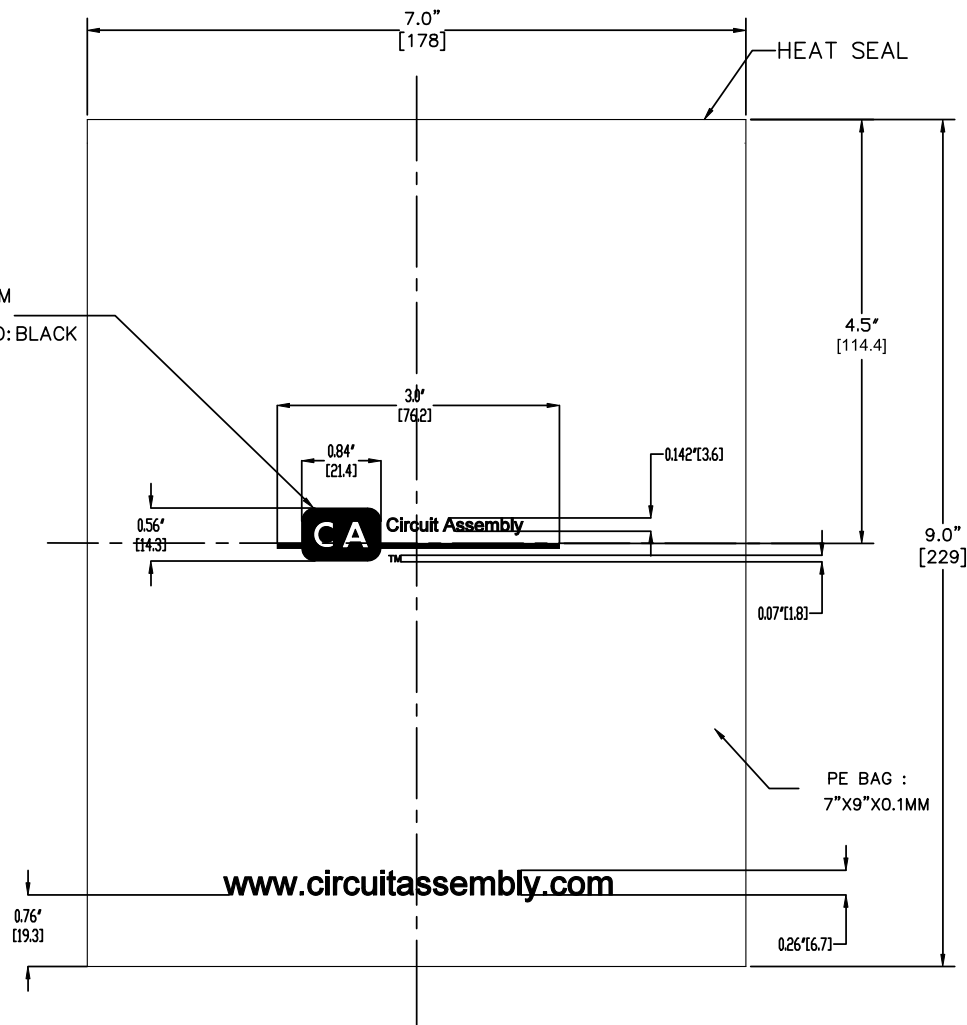
CIRCUIT ASSEMBLY SHENZHEN AO XING ROAD, AOBEL 2ND VILLAGE, HENGGANG TOWN			
CABLE ASSEMBLY-DISPLAYPORT SERIES DP/M TO MDP/ F ADAPTER			
SIZE	CODE IDENT NO.	DRAWING NO.	REV.
C	52072	H713020	J
SCALE: 1 : 1		SHEET 1 OF 2	

PART NO. CA-H713020-XX.XX

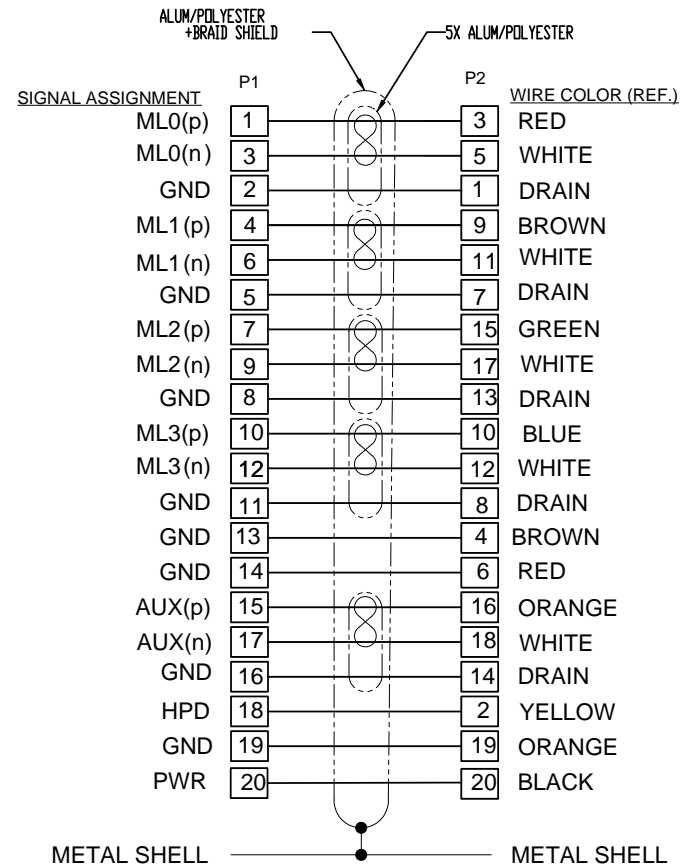
REVISIONS			
LTR	DESCRIPTION	DATE	APPROVED
See Page1			

PACKAGE SPECIFICATION

FONT: CUSTOM
TEXT: CLEAR
BACKGROUND: BLACK



WIRING DIAGRAM :



NOTES:

PE "Circuit Assembly,™" AND
"www.circuitassembly.com" TEXT
TYPE: ARIAL ,TEXT COLOR: BLACK

DIMENSIONS ARE IN MILLIMETERS TOLERANCES ARE:		APPROVALS		DATE	CIRCUIT ASSEMBLY SHENZHEN AO XING ROAD, AOBEI 2ND VILLAGE, HENGANG TOWN	
DECIMALS	ANGLES	DRAWN	Joyce	05-15-09'		
X ± .30	±5°	CHECKED	Andy	05-15-09'		
XX ± .15		APPROVED	Ray	05-15-09'	CABLE ASSEMBLY-DISPLAYPORT SERIES DP/M TO MDP/ F ADAPTER	
DIMENSIONS IN BRACKETS [X.XX] ARE IN INCHES TOLERANCES ARE:		<small>THE INFORMATION AND DESIGN DISCLOSED HEREIN WAS ORIGINATED BY AND IS THE PROPERTY OF CIRCUIT ASSEMBLY CORPORATION. CIRCUIT ASSEMBLY CORPORATION RESERVES ALL PATENT, PROPRIETARY, DESIGN, MANUFACTURING, REPRODUCTION, USE AND SALES RIGHTS THERETO, AND TO ANY ARTICLE DISCLOSED HEREIN EXCEPT TO THE EXTENT RIGHTS ARE EXPRESSLY GRANTED TO OTHERS. THE FOREGOING DOES NOT APPLY TO VENDOR PROPRIETARY RIGHTS.</small>				
DECIMALS	ANGLES	SIZE	CODE IDENT NO.	DRAWING NO.		REV.
XX ± .012	±3°	C	52072	H713020	J	
XXX ± .006		SCALE: 1 : 1		SHEET 2 OF 2		