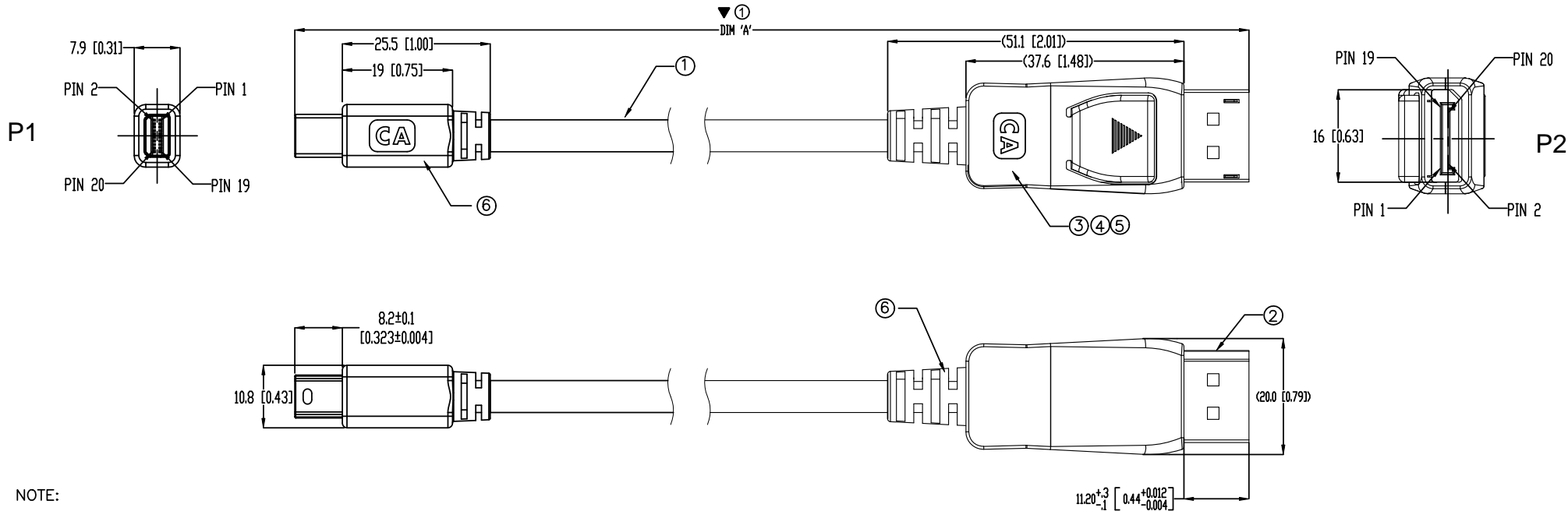


LTR	DESCRIPTION	DATE	APPROVED
A	INITIAL RELEASE SEE DOH3370 Joyce	05-26-09	Ray
B	MDP PLUG ADD "CA" LOGO SEE DOH3402 Joyce	06-11-09	Ray
C	CHANGE SR DIRECTION SEE DOH3491 Joyce	07-31-09	Ray
D	CHANGE CA LOGO SIZE SEE DOH4625 Joyce	06-02-11	Ray
E	REMOVE DP LOGO SEE DOH5732 Paul	11-13-13	Ray
F	Update Rohs and title description ,see DO:H8508 Andy	4-27-21	Ray



NOTE:

- ELECTRICAL SPECIFICATION:  
CABLE MUST PASS CONTINUITY TEST;  
INSULATION RESISTANCE:20M ohm Min;  
CONDUCTOR RESISTANCE:3M&BELOW: 2 OHM.;3.01~4M:3 OHM;4.01~5M:3.5 OHM  
HI-VOLTAGE: 300V DC/0.1SEC.
- MEETS THE REQUIREMENTS OF THE EUROPEAN PARLIAMENT AND THE RESTRICTION OF THE USE OF CERTAIN HAZARDOUS SUBSTANCES IN ELECTRICAL AND ELECTRONIC EQUIPMENT. (ROHS)
- MARK ▼ DIMENSION MUST CONTROL, MARK "Ⓝ" IS DIMENSION No.

CA-H713012-XX.XX

CABLE LENGTH \_\_\_\_\_  
DIM "A" IN METERS  
CONSULT FACTORY FOR OTHER LENGTHS AVAILABLE, TOLERANCE :

DIM 'A'	TOLERANCE (IN METERS)
.01M-.5M	±.025M
.51M-1.0M	±.05M
1.01M-3.0M	±.075M
3.01M-5.0M	±.13M

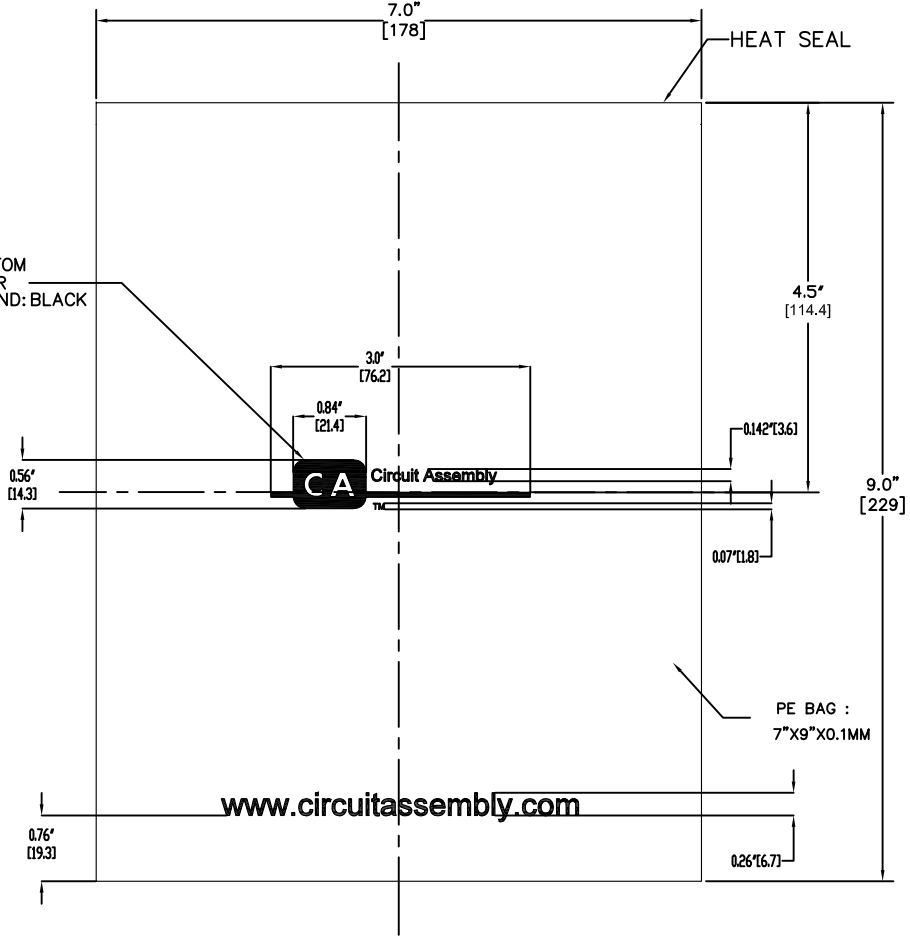
ITEM	DESCRIPTION	UNITS	Q'TY
⑦	20MDPP,CONTACT:GOLD 30u" NI PLATED SHELL,	PCS	1
⑥	SR OVERMOLD:UL 94V-0 PVC 45P COLOR:WHITE	KG	N/A
⑤	BOTH COPPER FOIL W8*T0.03mm	M	N/A
④	LOW DENSITY CLEAR PE	KG	N/A
③	BOTTOM AND TOP COVER,WHITE ABS,ASSEMBLY TYPE	SET	1
②	DisplayPort PLUG 20PIN,CONTACT:GOLD 30u" NO "CA" LOGO,FRONT SHELL GOLD FLASH PLATED,BOTTOM AND TOP HOOD TIN PLATED	SET	1
①	UL20276 [(32AWG*1P+D+FAM)*5Pcs+32AWG*5C]+AB, OD=5.5mm, STRANDED TINNED COPPER,WHITE PVC JACKET.	MM	N/A

DIMENSIONS ARE IN MILLIMETERS TOLERANCES ARE:		APPROVALS	DATE
X ± .50	ANGLES ±3°	DRAWN Joyce	05-26-09
XX ± .25		CHECKED Andy	05-26-09
		APPROVED Ray	05-26-09
DIMENSIONS IN BRACKETS [X.XX] ARE IN INCHES TOLERANCES ARE:		THE INFORMATION AND DESIGN DISCLOSED HEREIN WAS ORIGINATED BY AND IS THE PROPERTY OF CIRCUIT ASSEMBLY CORPORATION. CIRCUIT ASSEMBLY CORPORATION RESERVES ALL PATENT, PROPRIETARY, DESIGN, MANUFACTURING, REPRODUCTION, USE AND SALES RIGHTS THERETO, AND TO ANY ARTICLE DISCLOSED HEREIN EXCEPT TO THE EXTENT RIGHTS ARE EXPRESSLY GRANTED TO OTHERS. THE FOREGOING DOES NOT APPLY TO VENDOR PROPRIETARY RIGHTS.	
DECIMALS XX ± .02	ANGLES ±3°	DO NOT SCALE DRAWING	

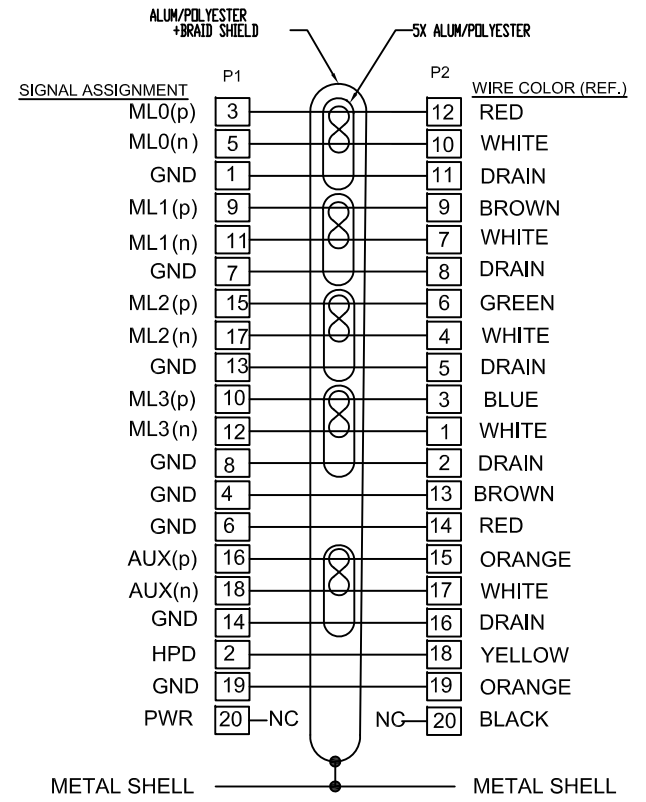
CIRCUIT ASSEMBLY SHENZHEN			
AO XING ROAD, AOBEI 2ND VILLAGE, HENGGANG TOWN			
CABLE ASSEMBLY-DISPLAYPORT SERIES 20MDPP TO DP 20P/M ROHS			
SIZE C	CODE IDENT NO. 52072	DRAWING NO. H713012	REV. F
SCALE: 1 : 1		SHEET 1 OF 2	

# PACKAGE SPECIFICATION

FONT: CUSTOM  
TEXT: CLEAR  
BACKGROUND: BLACK



## WIRING DIAGRAM :



### NOTES:

PE BAG "Circuit Assembly,™" AND "www.circuitassembly.com" TEXT TYPE: ARIAL ,TEXT COLOR:BLACK

DIMENSIONS IN MILLIMETERS TOLERANCES ARE:	
DECIMALS	ANGLES
.X ±.50	±3°
.XX ±.25	

DIMENSIONS IN BRACKETS [X.XX] ARE IN INCHES TOLERANCES ARE:	
DECIMALS	ANGLES
.XX ±.02	±3°
.XXX ±.01	

DO NOT SCALE DRAWING

APPROVALS		DATE
DRAWN	Joyce	05-24-09
CHECKED	Andy	05-24-09
APPROVED	Roy	05-24-09

THE INFORMATION AND DESIGN DISCLOSED HEREIN WAS ORIGINATED BY AND IS THE PROPERTY OF CIRCUIT ASSEMBLY CORPORATION. CIRCUIT ASSEMBLY CORPORATION RESERVES ALL PATENT, PROPRIETARY, DESIGN, MANUFACTURING, REPRODUCTION, USE AND SALES RIGHTS THEREOF, AND TO ANY ARTICLES ENCLOSED HEREIN EXCEPT TO THE EXTENT RIGHTS ARE EXPRESSLY GRANTED TO OTHERS. THE FOREGOING DOES NOT APPLY TO VENDOR PROPRIETARY RIGHTS.

<b>CIRCUIT ASSEMBLY SHENZHEN</b> AO XING ROAD, AOBELI 2ND VILLAGE, HENGANG TOWN			
<b>CABLE ASSEMBLY-DISPLAYPORT SERIES 20MDPP TO DP 20P/M ROHS</b>			
SIZE	CODE IDENT NO.	DRAWING NO.	REV.
C	52072	H713012	F
SCALE: 1:1		SHEET 2 OF 2	