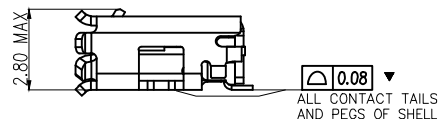
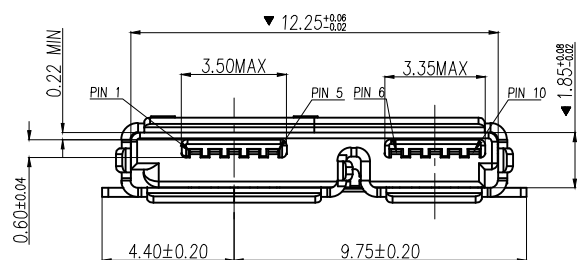
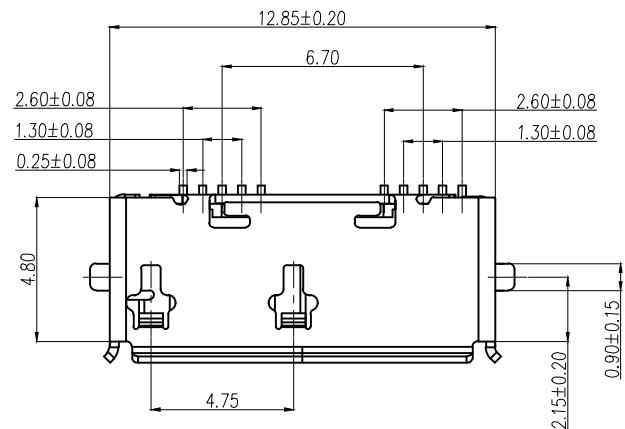
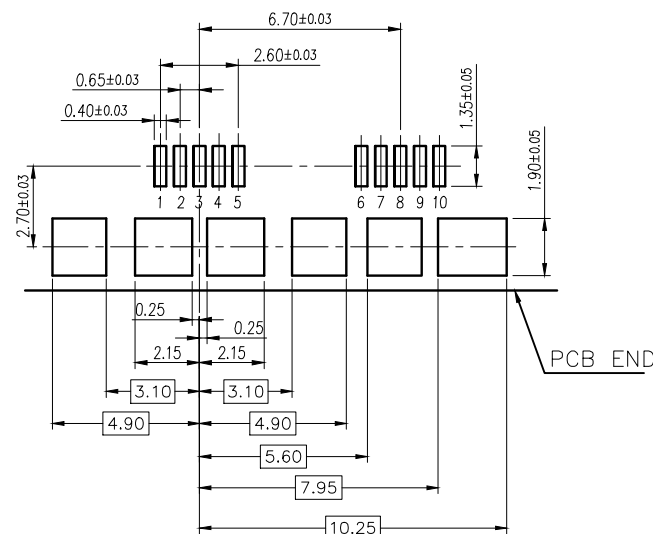


REV	DESCRIPTION	ECN(D.O)	APPD.
A	NEW RELEASE	H4146	Ray
B	UPDATE Rohs	H8548	Ray



NOTES:  
 1.MATERIAL:  
 HOUSING:LCP UL94 V-0  
 COLOR:BLACK  
 CONTACT:COPPER ALLOY T=0.15MM  
 SHELL:SUS304 T=0.30MM  
 2.FINISH:  
 CONTACT:SELECTIVE GOLD PLATING ON CONTACT AREA  
 50u" TIN PLATING ON SOLDERTAILS  
 20u" NICKEL UNDERPLATING OVER ALL  
 SHELL: 20u" NICKEL PLATING OVER ALL  
 3.MARK"▼" DIMENSION MUST CONTROL. MARK"▲" DIMENSION MUST CONTROL. BY CPK.  
 4.MEETS THE REQUIREMENTS OF THE EUROPEAN PARLIAMENT AND THE RESTRICTION OF THE USE OF CERTAIN HAZARDOUS IN ELECTRICAL AND ELECTRONIC EQUIPMENT. (ROHS)



RECOMMENDED PCB LAYOUT  
 COMPONENT SIDE SHOWN(TOLERANCES ARE: ±0.05)

ORDERING NOMENCLATURE :

CA-H610534-X

MICRO-AB USB 3.0 RECEPTACLE

PLATING: A:1u", D:5u", C:15u", F:30u"

MILLIMETERS	INCH	UNITS	MM	NAME(INTENDED USE)	CIRCUIT ASSEMBLY SHENZHEN CA INDUSTRIAL BUILDING, AOXING ROAD, AOBEI SECOND VILLAGE, HENGANG TOWN, SHENZHEN CITY, GUANGDONG PROVINCE, CHINA						
X° ± 3'	X° ± 3'	MAT'L		MICRO-B USB 3.0							
.X ± 0.25	.X ± .010	FINISH		PART NO.(INTENDED USE)							
.XX ± 0.20	.XX ± .005		CA-H610534-X	TITLE:							
.XXX ± ----	.XXX ± ----		CONNECTOR ASSEMBLY-USB SERIES 10P_MICRO USB AB SOCKET, SMT, R/A "RoHS"								
THESE DRAWINGS AND SPECIFICATIONS ARE THE PROPERTY OF CIRCUIT ASSEMBLY SHEN ZHEN AND SHALL NOT BE REPRODUCED. COPIED OR USED IN ANY MANNER WITHOUT THE PRIOR WRITTEN CONSENT OF CIRCUIT ASSEMBLY SHEN ZHEN				APPD: Ray 06/24/10'	DWG NO.:						
				CHKD: Ray 06/24/10'	H610534						
				DR: John 06/24/10'	<table border="1"> <tr> <th>SCALE</th> <th>SHEET</th> <th>REV.</th> </tr> <tr> <td>1/1</td> <td>1/1</td> <td>B</td> </tr> </table>	SCALE	SHEET	REV.	1/1	1/1	B
SCALE	SHEET	REV.									
1/1	1/1	B									