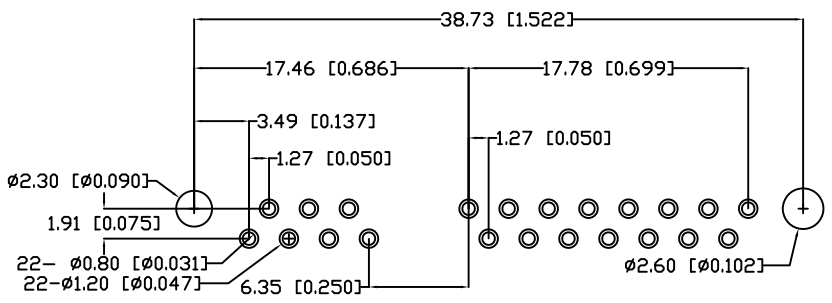
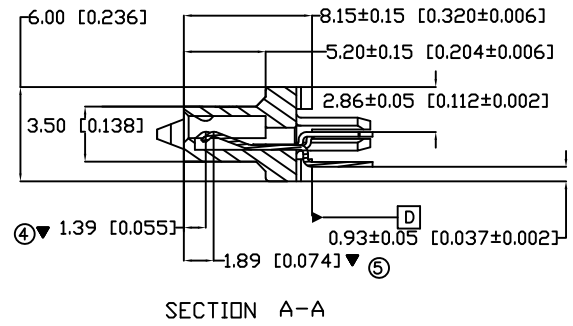
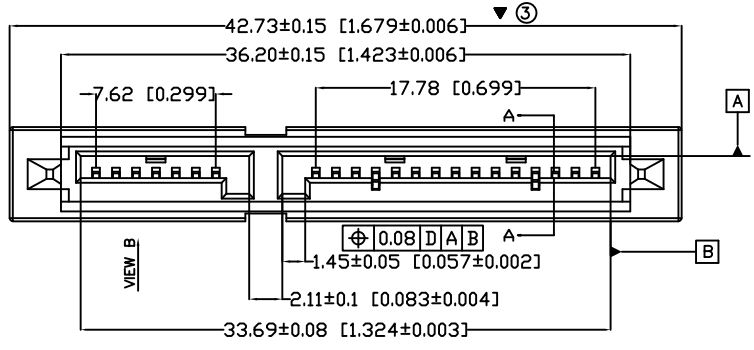
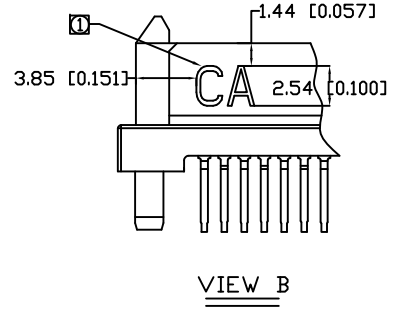
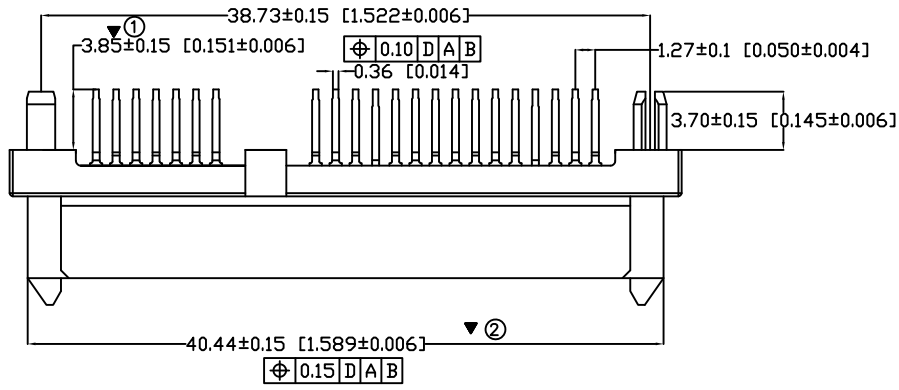


P/N CA-22SAHS-X-1-1-X-X

REV.	DESCRIPTION	DO.	APPD.
A	NEW		ROBBIE
B	ADD OPTION	E030826H036	ROBBIE
C	ADD OPTION	E031030H181	ROBBIE
D	DESIGN CHANGE	E040120H350	ROBBIE
E	DESIGN CHANGE	E040203H363	ROBBIE
F	DESIGN CHANGE	E040212H393	ROBBIE
G	DESIGN CHANGE	H1037	ROBBIE
H	Update RoHS	H8219	Ray



ORDERING NOMENCLATURE : CA-22SAHS-X-1-1-X-X

NUMBER OF CONTACT PDS  
SERIAL ATA  
HOST SOCKET

PLATING: A: 1u"; B: 3u"; C: 15u"; D: 5u"; F: 30u"  
HEIGHT: 1=REGULAR;

CONTACT:  
0= SURFACE MOUNT(post=3.7\*2.24mm and 3.7\*2.54mm);  
1= THRU HOLE(TWO ROW)  
2= THRU HOLE (REV) (TWO ROW);  
3= PRESS FIT; 4= MOLD WITH COVER  
5= MOLDING TYPE WITHOUT COVER(L=40.44mm)  
6= MOLDING TYPE WITHOUT COVER(L=52.20mm)  
7= THRU HOLE(ONE ROW)  
8= PRESS FIT (REV LAYOUT);  
9= SURFACE MOUNT(Both Post=1.0\*2.24mm);  
10= SURFACE MOUNT(Both Post=3.70\*2.24mm);

TAB: 1=HAVE THREE LOCK TABS  
2=NOT HAVE THREE LOCK TABS  
MARK: 1=HAVE 'CA' MARK  
2=NOT HAVE 'CA' MARK

- NOTES:  
1. MATERIAL : HOUSING : HIGH TEMPERATURE THERMOPLASTIC (LCP) G.F.30%, UL94V-0, COLOR : BLACK  
TERMINAL : PHOSPHOR BRONZE,C5210 THICKNESS = 0.30±0.01 mm  
2. TERMINAL PLATING : CONTACT AREA: AU PLATED AT CONTACT AREA PLATED ALL OVER: 50 u" MINIMUM NICKEL  
SOLDER TAIL: PURE TIN 150u"  
3. PRODUCT SPECIFICATION : REFER H100002  
4. PACKAGING REFER TO CAO-H030  
5. MARK "▼" DIMENSION MUST CONTROL, MARK "⊗" IS DIM No.  
6. ALL DIMENSION MEASURE BY FAI  
7. [ ] THE MARK CAN OPTION  
8. MEETS THE REQUIREMENTS OF THE EUROPEAN PARLIAMENT AND THE RESTRICTION OF THE USE OF CERTAIN HAZARDOUS SUBSTANCES IN ELECTRICAL AND ELECTRONIC EQUIPMENT. (RoHS)

MILLIMETERS	INCH	UNITS	MM	NAME(INTENDED USE)	CIRCUIT ASSEMBLY SHENZHEN CA INDUSTRIAL BUILDING, AOXING ROAD, AOBEL SECOND VILLAGE, HENGANG TOWN, SHENZHEN CITY, GUANGDONG, PROVINCE, CHINA.	
X.± 2*	X.± 2*	MAT'L		PART NO.(INTENDED USE)		TITLE:
.X± 0.20	.X± ---			CA-22SAHS-X-1-1-X-X		SATA 22P SOCKET THROUGH HOLE TYPE ASSEMBLY
.XX± 0.13	.XX± 0.008	FINISH		APPD: Robbie Iou06/15/05'		DWG NO.:
.XXX± ----	.XXX± 0.005			H610263		
THESE DRAWINGS AND SPECIFICATIONS ARE THE PROPERTY OF CIRCUIT ASSEMBLY SHEN ZHEN AND SHALL NOT BE REPRODUCED, COPIED OR USED IN ANY MANNER WITHOUT THE PRIOR WRITTEN CONSENT OF CIRCUIT ASSEMBLY SHEN ZHEN				Q'TY	CHKD: Robbie Iou06/15/05' DR: RAY 06/14/05'	
				SCALE	SHEET	REV.
				1/1	1/1	H