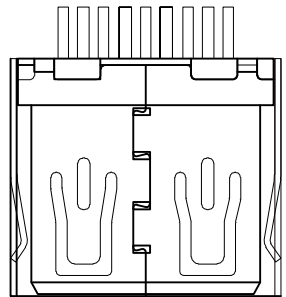
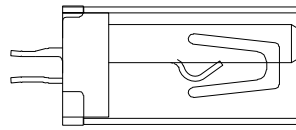
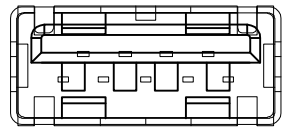
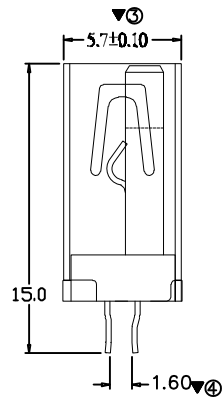
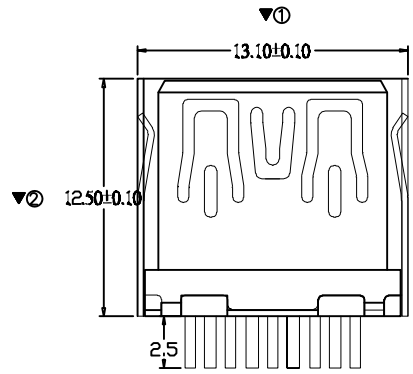


PART NO. CA-CC1779-X

REVISIONS			
LTR	DESCRIPTION	DATE	APPROVED
A	INITIAL RELEASE SEE DO H8612	James 12/06/21'	Ray



Ordering Information

CA-CC1779-X

CONTACT PLATING:
 A=GOLD FLASH
 C=15U"GOLD
 F=30U"GOLD

SPECIFICATIONS:

ELECTRICAL:

- CURRENT RATING: 1.5 A/CONTACT TERMINAL
- VOLTAGE RATING: 30V DC
- CONTACT RESISTANCE: 30 Milliohms MAX.
- DIELECTRIC WITHSTANDING VOLTAGE: 500V AC AT SEA LEVEL
- INSULATION RESISTANCE: 1000 MEGOHMS MIN.

MECHANICAL:

- CONNECTOR MATED AND UNMATED FORCE:
- MATED FORCE: 3.57Kgf (MAX.)
 - UNMATED FORCE: 1.02Kgf (MIN)

NOTES:

- MATERIAL:**
 - 1.1 HOUSING: HIGH TEMPERATURE PLASTICS, GLASS FIBER FILLED, UL94V-0,COLOR:BLUE.
 - 1.2 TERMINAL: COPPER ALLOY C2680
 - 1.3 SHELL: SPCC
- PLATING**
 - 2.1 TERMINAL:
UNDERPLATED:NICKEL UNDERPLATING OVER ALL,GOLD PLATING ON CONTACT AREA,THICKNESS:SEE TABLE
MATTE TIN 100 MICROINCH PLATING ON SOLDER TAIL.
 - 2.2 SHELL: NICKEL PLATING OVER ALL.
- MARK"▼"DIMENSION MUST CONTROL, MARK"⊗"IS DIM No.**
- MEETS THE REQUIREMENTS OF THE EUROPEAN PARLIAMENT AND THE RESTRICTION OF THE USE OF CERTAIN HAZARDOUS SUBSTANCES IN ELECTRICAL AND ELECTRONIC EQUIPMENT. (ROHS)**

DIMENSIONS ARE IN MILLIMETERS
TOLERANCES ARE:

DECIMALS	ANGLES
.X ±.35	±3°
.XX ±.25	
.XXX ±.15	

DIMENSIONS IN BRACKETS (XX) ARE IN INCHES TOLERANCES ARE:

DECIMALS	ANGLES
.XX ±.014	±3°
.XXX ±.010	

DO NOT SCALE DRAWING

APPROVALS		DATE
DRAWN	James	12/06/21'
CHECKED	Ray	12/06/21'
APPROVED	Ray	12/06/21'

THE INFORMATION AND DESIGN DISCLOSED HEREIN WAS ORIGINATED BY AND IS THE PROPERTY OF CIRCUIT ASSEMBLY CORPORATION. CIRCUIT ASSEMBLY CORPORATION RESERVES ALL PATENT, PROPRIETARY, DESIGN, MANUFACTURING, REPRODUCTION, USE AND SALES RIGHTS THEREON, AND TO ANY ARTICLE DISCLOSED HEREIN EXCEPT TO THE EXTENT RIGHTS ARE EXPRESSLY GRANTED TO OTHERS. THE FOREGOING DOES NOT APPLY TO VENDOR PROPRIETARY RIGHTS.

CA	CIRCUIT ASSEMBLY SHENZHEN		
	AO XING ROAD, AOBELI 2ND VILLAGE, HENGANG TOWN		
CONNECTOR ASSEMBLY - USB3.0 A TYPE FEMALE STRADDLE MOUNTING			
SIZE	CODE IDENT NO.	DRAWING NO.	REV.
C	52072	H517491	A
SCALE: 1 : 1			SHEET 1 OF 1