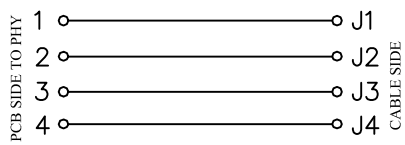
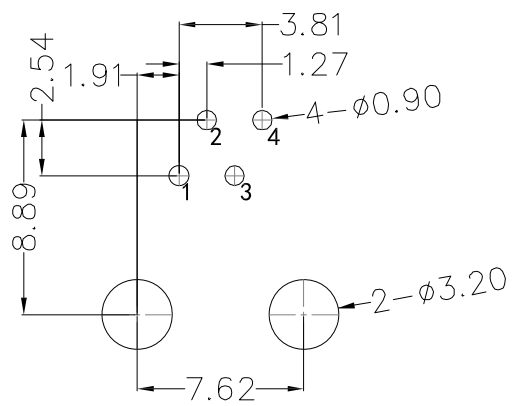
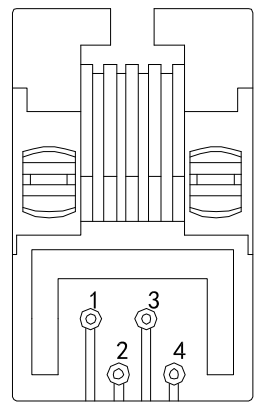
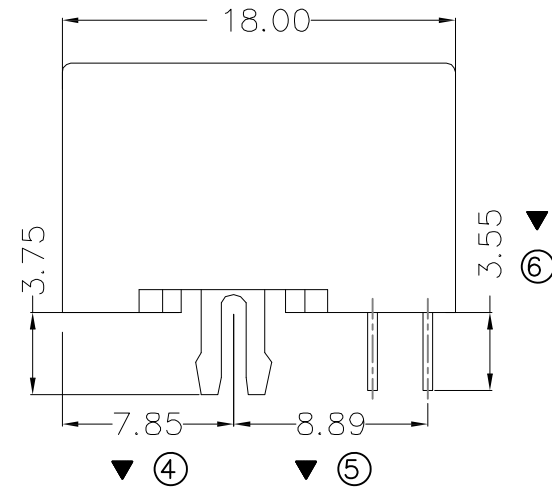
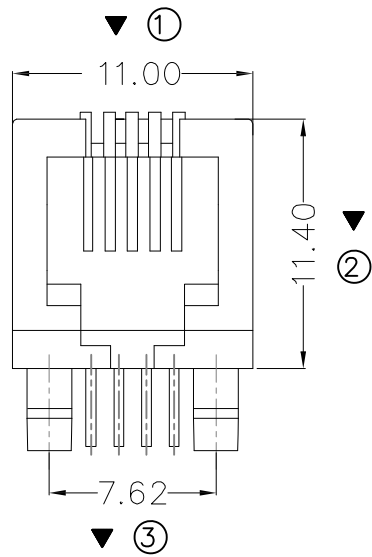


PART NO. CA-CC1778-X

REVISIONS			
LTR	DESCRIPTION	DATE	APPROVED
A	INITIAL RELEASE SEE DO H6611	ST.Y 12/03/21'	Ray



RECOMMENDED PCB LAYOUT
TOLERANCE= ±0.05mm

ORDERING NOMENCLATURE :
CA-CC1778-X
PLATING: _____
A= GOLD FLASH

NOTE:

- MATERIAL:**
HOUSING: PBT, UL94V-0. COLOR BLACK.
CONTACT: PHOSPHOR BRONZE Ø0.46MM.
- PLATING:**
CONTACT: GOLD FLASH PLATING.
- ELECTRICAL:**
RATED CURRENT: 1.5 AMP.
RATED VOLTAGE: 125V AC.
CONTACT RESISTANCE: 30 MILLIOHMS MAX.
WITHSTANDING VOLTAGE: 1000V AC RMS 50HZ OR 60HZ FOR 1 MINUTE.
INSULATION RESISTANCE: 500 MEGOHMS MIN..
- ENVIRONMENTAL:** OPERATING TEMPERATURE IS -25°C TO +85°C.
- MARK ▼ DIMENSION MUST CONTROL, MARK ⊗ IS DIMENSION No.**
- MEETS THE REQUIREMENTS OF THE EUROPEAN PARLIAMENT AND OF THE RESTRICTION OF THE USE OF CERTAIN HAZARDOUS SUBSTANCES IN ELECTRICAL AND ELECTRONIC EQUIPMENT. (RoHS)**

<small>DIMENSIONS ARE IN MILLIMETERS TOLERANCES ARE:</small> <small>DECIMALS ANGLES</small> <small>.X ±.40 ±3°</small> <small>.XX ±.25</small> <small>DIMENSIONS IN BRACKETS (X.XX) ARE IN INCHES TOLERANCES ARE:</small> <small>DECIMALS ANGLES</small> <small>.XX ±.016 ±3°</small> <small>.XXX ±.010</small> <small>DO NOT SCALE DRAWING</small>	<small>APPROVALS</small> <small>DRAWN Steven Yu 12/03/21'</small> <small>CHECKED Ray 12/03/21'</small> <small>APPROVED Ray 12/03/21'</small>	<small>DATE</small> <small>12/03/21'</small> <small>12/03/21'</small> <small>12/03/21'</small>	CIRCUIT ASSEMBLY SHENZHEN <small>AO XING ROAD, AOBEI 2ND VILLAGE, HENGGANG TOWN</small> CONNECTOR ASSEMBLY- RJ11 SERIES FOUR CONTACT RIGHT ANGLE THROUGH HOLE CA-CC1778-X "RoHS"		
	<small>SIZE</small> C	<small>CODE IDENT NO.</small> 52072		<small>DRAWING NO.</small> H517490	<small>REV.</small> A
	<small>SCALE: 1 : 1</small>			<small>SHEET 1 OF 1</small>	