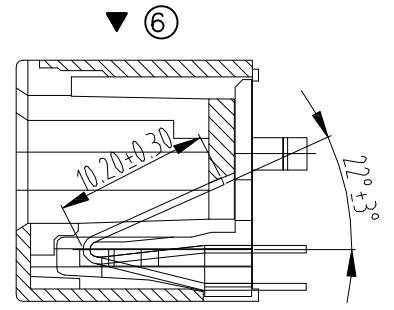
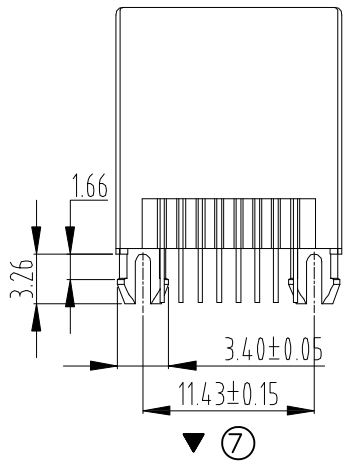
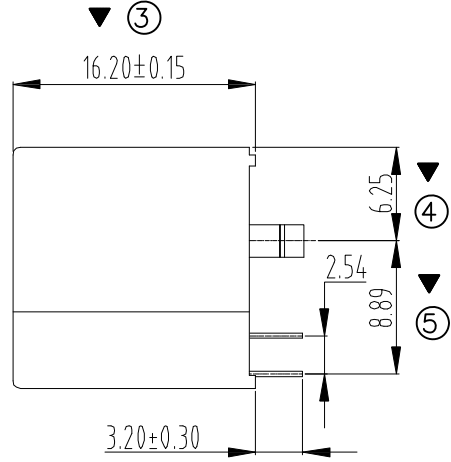
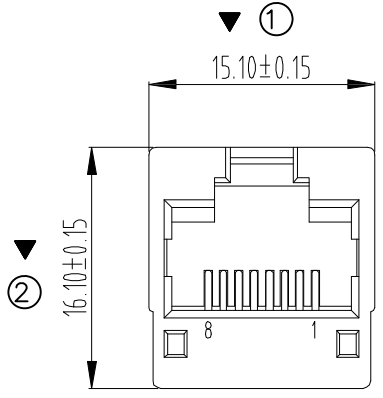


PART NO. CA-CC1769-X

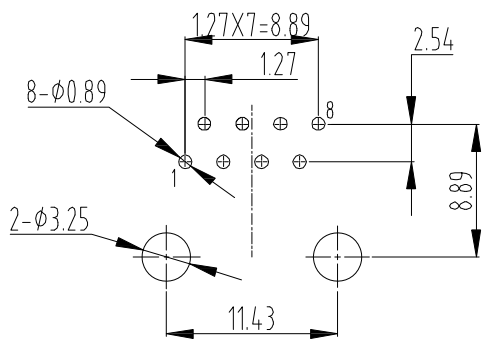
REVISIONS				
LTR	DESCRIPTION	DATE	APPROVED	
A	INITIAL RELEASE SEE DO H8611	ST.Y 12/03/21'	Ray	

D
C
B
A

D
C
B
A



INTERNAL VIEW



RECOMMENDED PCB LAYOUT
TOLERANCE= ±0.05mm

ORDERING NOMENCLATURE :

CA-CC1769-X
PLATING:
BLANK= 6 U" AU
A= GOLD FLASH

NOTE:

- MATERIAL:**
HOUSING: POLYESTER + G.F., UL94V-0. COLOR BLACK.
CONTACT: PHOSPHOR BRONZE.
- PLATING:**
CONTACT: GOLD PLATING OVER NICKEL.
- ELECTRICAL:**
RATED CURRENT: 1.5 AMP.
RATED VOLTAGE: 125V AC.
CONTACT RESISTANCE: 30 MILLIOHMS MAX.
WITHSTANDING VOLTAGE: 1000V AC RMS 50HZ OR 60HZ FOR 1 MINUTE.
INSULATION RESISTANCE: 500 MEGOHMS MIN. @ 500V DC.
- MECHANICAL:** DURABILITY OF 750 CYCLES.
- ENVIRONMENTAL:** OPERATING TEMPERATURE IS -25°C TO +85°C.
- MARK** ▼ DIMENSION MUST CONTROL, MARK "⊗" IS DIMENSION No.
- MEETS THE REQUIREMENTS OF THE EUROPEAN PARLIAMENT AND OF THE RESTRICTION OF THE USE OF CERTAIN HAZARDOUS SUBSTANCES IN ELECTRICAL AND ELECTRONIC EQUIPMENT. (RoHS)

DIMENSIONS ARE IN MILLIMETERS TOLERANCES ARE:		APPROVALS		DATE
DECIMALS .X ±.35 .XX ±.25		DRAWN Steven Yu		12/03/21'
ANGLES ±3°		CHECKED Ray		12/03/21'
DIMENSIONS IN BRACKETS (X,XX) ARE IN INCHES TOLERANCES ARE:		APPROVED Ray		12/03/21'
DECIMALS .XX ±.014 .XXX ±.010		THE INFORMATION AND DESIGN DISCLOSED HEREIN WAS ORIGINATED BY AND IS THE PROPERTY OF CIRCUIT ASSEMBLY CORPORATION. CIRCUIT ASSEMBLY CORPORATION RESERVES ALL PATENT, PROPRIETARY, DESIGN, MANUFACTURING, REPRODUCTION, USE AND SALES RIGHTS THEREON, AND TO ANY ARTICLE DISCLOSED HEREIN EXCEPT TO THE EXTENT RIGHTS ARE EXPRESSLY GRANTED TO OTHERS. THE FOREGOING DOES NOT APPLY TO VENDOR PROPRIETARY RIGHTS.		DO NOT SCALE DRAWING

CIRCUIT ASSEMBLY SHENZHEN AO XING ROAD, AOBEI 2ND VILLAGE, HENGANG TOWN			
CONNECTOR ASSEMBLY- RJ45 SERIES EIGHT CONTACT VERTICAL MOUNT UNSHIELDED CA-CC1769-X "RoHS"			
SIZE	CODE IDENT NO.	DRAWING NO.	REV.
C	52072	H517486	A
SCALE: 1 : 1		SHEET 1 OF 1	

4

3

2

1