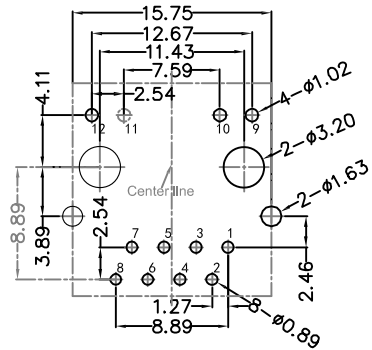
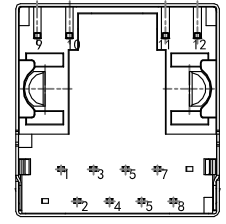
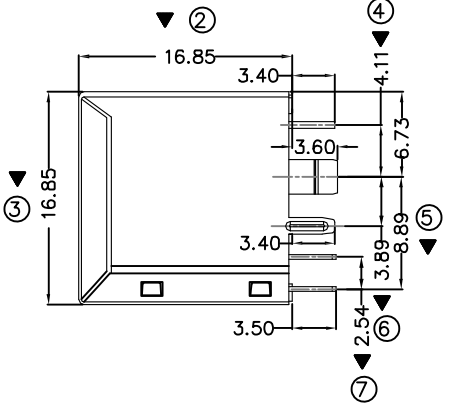
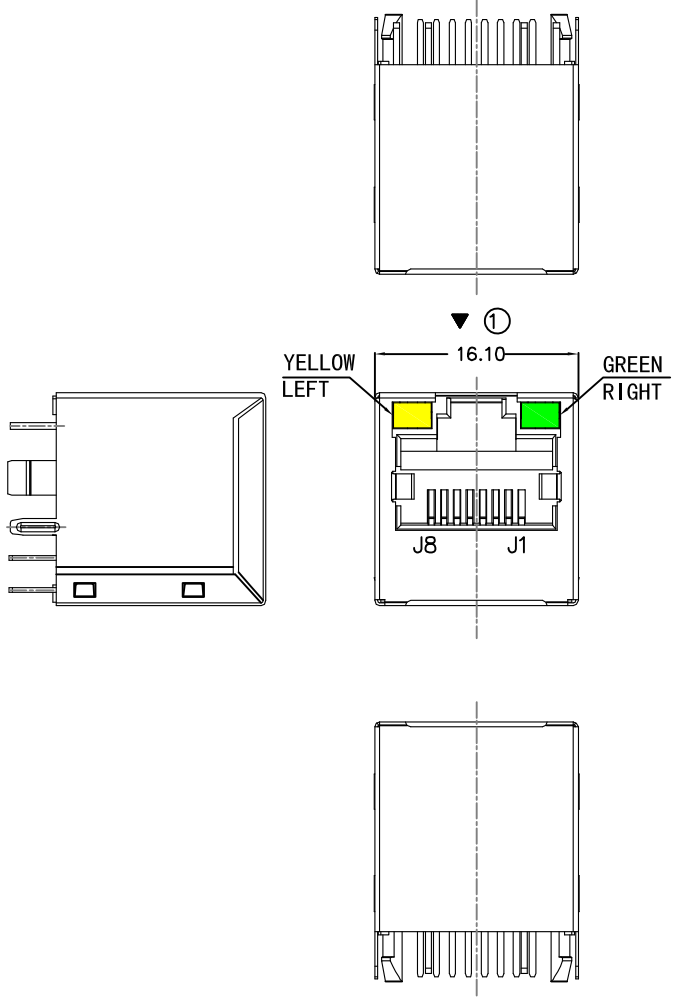


PART NO. CA-CC1762

REVISIONS			
LTR	DESCRIPTION	DATE	APPROVED
A	INITIAL RELEASE SEE DO H8602	ST.Y 11/16/21'	Ray

D
C
B
A

D
C
B
A



RECOMMENDED PCB LAYOUT
TOLERANCE= ±0.05mm

NOTE:

- 1. MATERIAL:**
HOUSING: PBT,UL94V-0,BLACK.
TERMINALS BRACKET: PBT,UL94V-0,BLACK.
SHIELD: C2680,T=0.20MM,NICKEL PLATING ON ALL AREA.
TERMINAL: PHOSPHOR BRONZE C5210,T=0.35MM,
6U" GOLD PLATING ON CONTACT AREA.
- 2. MECHANICAL:**
DURABILITY: 750 CYCLES MIN.
MATING FORCE: 30N MAX.
OPERATING TEMPERATURE: -40°C~+85°C.
STORAGE TEMPERATURE: -40°C~+85°C.
- 3. MARK ▼ DIMENSION MUST CONTROL, MARK ⊗ IS DIMENSION No.**
- 4. MEETS THE REQUIREMENTS OF THE EUROPEAN PARLIAMENT AND THE RESTRICTION OF THE USE OF CERTAIN HAZARDOUS SUBSTANCES IN ELECTRICAL AND ELECTRONIC EQUIPMENT. (RoHS)**

DIMENSIONS ARE IN MILLIMETERS TOLERANCES ARE:		APPROVALS		DATE
DECIMALS	ANGLES	DRAWN	Steven Yu	11/16/21'
.X ±.35	±3°	CHECKED	Ray	11/16/21'
.XX ±.25		APPROVED	Ray	11/16/21'
DIMENSIONS IN BRACKETS (X,XX) ARE IN INCHES TOLERANCES ARE:		THE INFORMATION AND DESIGN DISCLOSED HEREIN WAS ORIGINATED BY AND IS THE PROPERTY OF CIRCUIT ASSEMBLY CORPORATION. CIRCUIT ASSEMBLY CORPORATION RESERVES ALL PATENT, PROPRIETARY, DESIGN, MANUFACTURING, REPRODUCTION, USE AND SALES RIGHTS THERE TO, AND TO ANY ARTICLE DISCLOSED HEREIN EXCEPT TO THE EXTENT RIGHTS ARE EXPRESSLY GRANTED TO OTHERS. THE FOREGOING DOES NOT APPLY TO VENDOR PROPRIETARY RIGHTS.		
DECIMALS	ANGLES	DO NOT SCALE DRAWING		
.XX ±.014	±3°			
.XXX ±.010				

CA CIRCUIT ASSEMBLY SHENZHEN			
AO XING ROAD, AOBEI 2ND VILLAGE, HENGGANG TOWN			
CONNECTOR ASSEMBLY- RJ45 SERIES			
09P, 180Deg TAB A-UP 1X1 100BASE, CA-CC1762			
"RoHS"			
SIZE	CODE IDENT NO.	DRAWING NO.	REV.
C	52072	H517483	A
SCALE: 1 : 1		SHEET 1 OF 2	

4 3 2 1

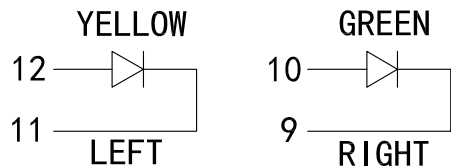
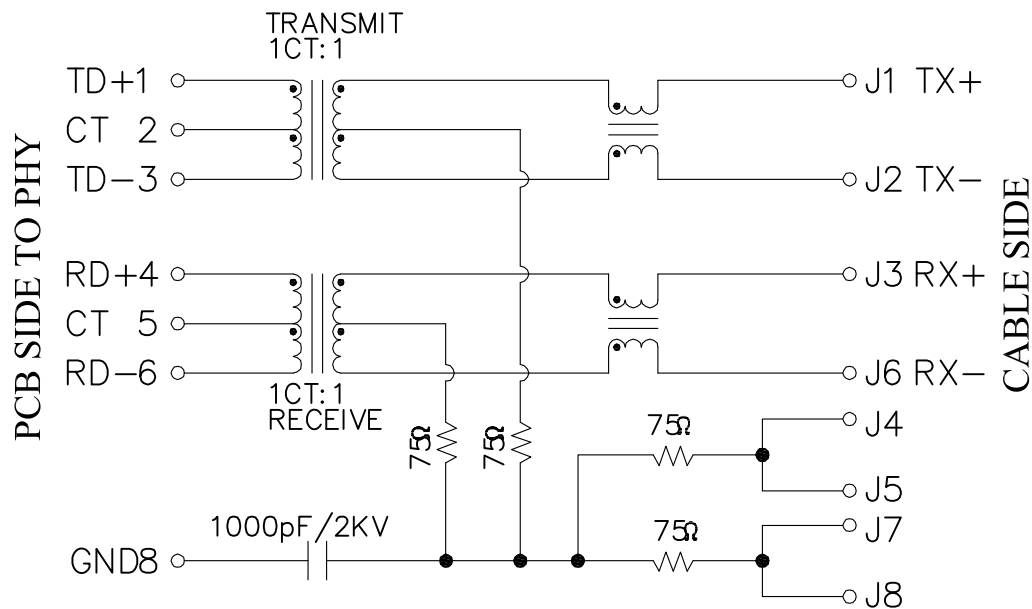
4

3

2

1

REVISIONS			
LTR	DESCRIPTION	DATE	APPROVED
	SEE PAGE ONE		



Electrical:

- Turn ratio: 1~3: J1~J2=1CT:1CT(±2%).
4~6: J3~J6=1CT:1CT(±2%).
- OCL: 350uH Min. at 100KHz 100mV 8mA DC.
- Insertion Loss: -1.0 dB Max 1~100MHz.
- Return loss: -20dB Min 1~10MHz;
-16dB Min 10~30MHz.
-12dB Min 30~60MHz.
-10dB Min 60~80MHz.
- Cross talk: -40dB Min 1~30MHz;
-35dB Min 30~60MHz;
-30dB Min 60~100MHz;
- CMR: -35dB Min 1~100MHz;
- Hi-Pot: 1500V AC & 2250V DC
6S 1mA PRI TO SEC

LED Specification

Standard LED Color	LED Wavelength	Foward(A)	Foward(V)
Green	568nm	20mA	1.8-2.8V
Yellow	585nm	20mA	1.8-2.8V

DIMENSIONS ARE IN MILLIMETERS TOLERANCES ARE:	APPROVALS		DATE	CIRCUIT ASSEMBLY SHENZHEN AO XING ROAD, AOBEI 2ND VILLAGE, HENGGANG TOWN	
	DRAWN Steven Yu		11/16/21		
	CHECKED Ray		11/16/21		
DECIMALS .X ±.35 .XX ±.25	ANGLES ±3°	APPROVED Ray		11/16/21	
DIMENSIONS IN BRACKETS (X,XX) ARE IN INCHES TOLERANCES ARE:		THE INFORMATION AND DESIGN DISCLOSED HEREIN WAS ORIGINATED BY AND IS THE PROPERTY OF CIRCUIT ASSEMBLY CORPORATION. CIRCUIT ASSEMBLY CORPORATION RESERVES ALL PATENT, PROPRIETARY, DESIGN, MANUFACTURING, REPRODUCTION, USE AND SALES RIGHTS THEREBY, AND TO ANY ARTICLE DISCLOSED HEREIN EXCEPT TO THE EXTENT RIGHTS ARE EXPRESSLY GRANTED TO OTHERS. THE FOREGOING DOES NOT APPLY TO VENDOR PROPRIETARY RIGHTS.			
DECIMALS .XX ±.014 .XXX ±.010	ANGLES ±3°	SIZE C	CODE IDENT NO. 52072	DRAWING NO. H517483	REV. A
DO NOT SCALE DRAWING		SCALE: 1:1		SHEET 2 OF 2	

4

3

2

1