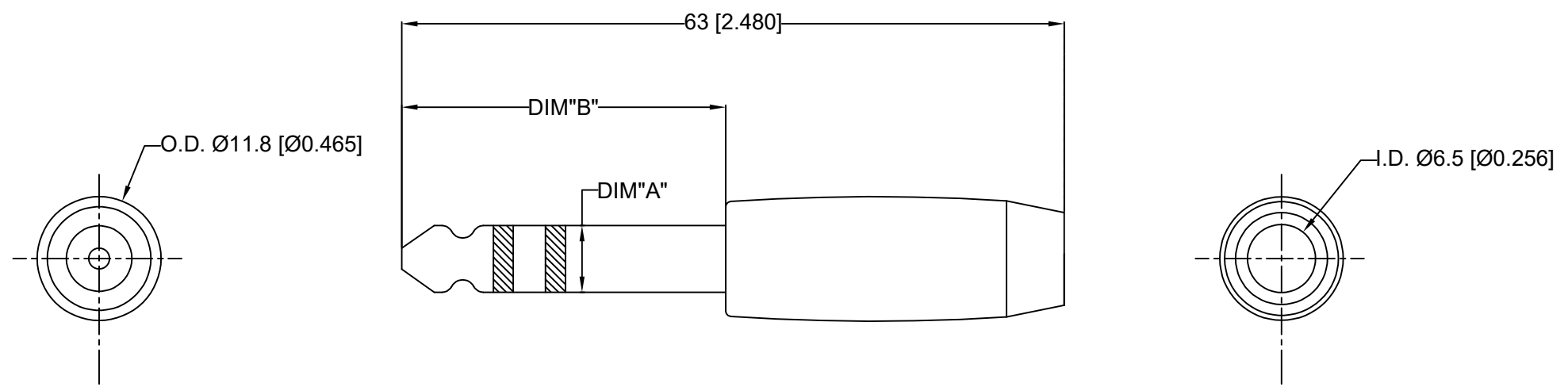


PART NO. CA-CC1718-X

REVISIONS			
LTR	DESCRIPTION	DATE	APPROVED
A	INITIAL RELEASE SEE DO H8596	J.C	11/02/21' Ray



ORDERING NOMENCLATURE :

P/N	DIM"A"	DIM"B"
CA-CC1718-7	6.35[0.250]	30.8[1.213]
CA-CC1718-8	5.23[0.206]	29.36[1.156]

MARK ▼ DIMENSION MUST CONTROL, MARK (X) "IS DIMENSION No.  
 MEETS THE REQUIREMENTS OF THE EUROPEAN PARLIAMENT AND THE  
 RESTRICTION OF THE USE OF CERTAIN HAZARDOUS SUBSTANCES  
 IN ELECTRICAL AND ELECTRONIC EQUIPMENT. (ROHS)

DIMENSIONS ARE IN MILLIMETERS TOLERANCES ARE:		APPROVALS	DATE
DECIMALS	ANGLES	DRAWN James	11/02/21'
X ± .30	±3.5°	CHECKED James	11/02/21'
X ± .25	±2.5°	APPROVED Ray	11/02/21'
XX ± .15	±2.0°		
DIMENSIONS IN BRACKETS [X.XX] ARE IN INCHES TOLERANCES ARE:		THE INFORMATION AND DESIGN DIS- CLOSED HEREIN WAS ORIGINATED BY AND IS THE PROPERTY OF CIRCUIT ASSEMBLY CORPORATION. CIRCUIT ASSEMBLY CORPORATION RESERVES ALL PATENT, PROPRIETARY, DESIGN, MANUFACTURING, REPRODUCTION, USE AND SALES RIGHTS THERE TO, AND TO ANY ARTICLE DISCLOSED HEREIN EXCEPT TO THE EXTENT RIGHTS ARE EXPRESSLY GRANTED TO OTHERS. THE FOREGOING DOES NOT APPLY TO VENDOR PROPRIETARY RIGHTS.	
DECIMALS	ANGLES	DO NOT SCALE DRAWING	
X ± .012	±3.5°		
XX ± .010	±2.5°		
XXX ± .006	±2.0°		

<b>CIRCUIT ASSEMBLY SHENZHEN</b> NO XING ROAD, AOBEI 2ND VILLAGE, HENGGANG TOWN			
<b>Stereo Straight Plug</b>			
SIZE	CODE IDENT NO.	DRAWING NO.	REV.
C	52072	H517463	A
SCALE: 1 : 1		SHEET 1 OF 1	