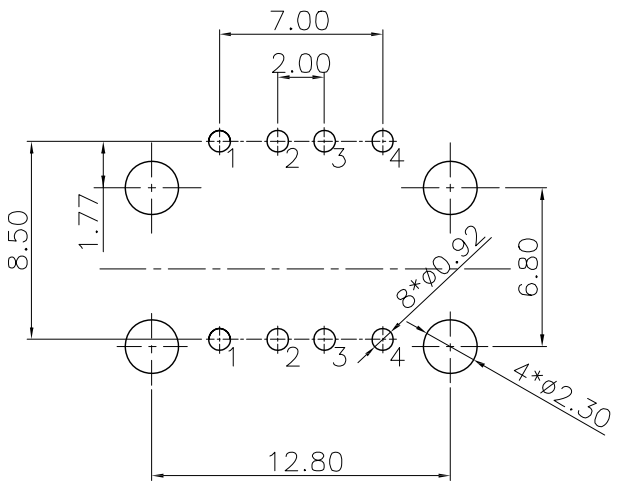
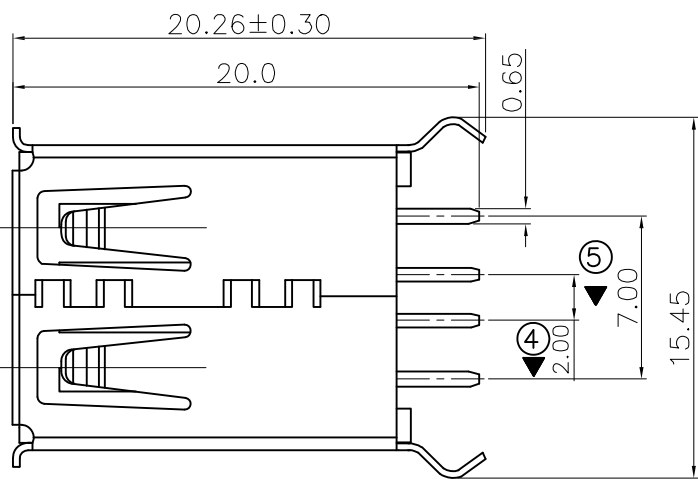
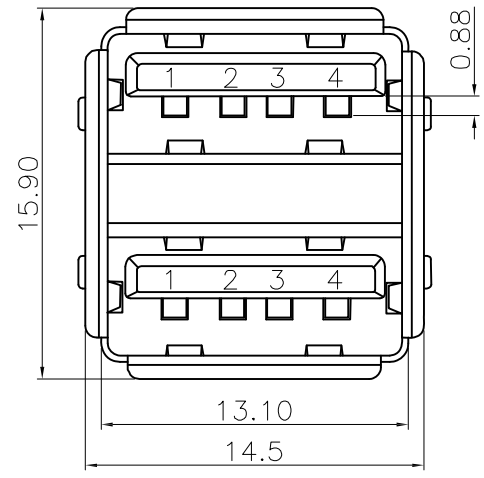
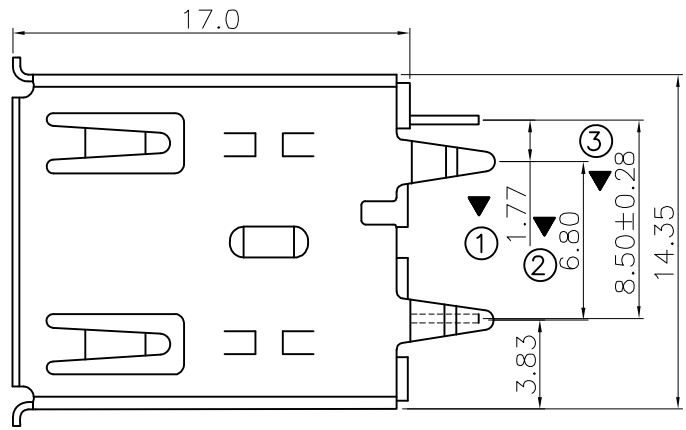


PART NO. CA-CC1683-X-X

REVISIONS				
LTR	DESCRIPTION	DATE	APPROVED	
A	INITIAL RELEASE SEE DO H8611	ST.Y 12/03/21	Ray	

D
C
B
A



RECOMMENDED PCB LAYOUT
TOLERANCE= ±0.05mm

ORDERING NOMENCLATURE :

CA-CC1683 - X - X

HOUSING COLOR:
B: BLACK
W: WHITE

PLATED GOLD:
A: G/F
F: 30U"
G: 50U"

NOTE:

- MATERIAL:**
HOUSING: PBT+30% GLASS FIBER, COLOR: BLACK OR WHITE; UL94V-0.
CONTACT: COPPER ALLOY.
CONTACT PLATED: GOLD AND TIN OVER NICKEL PLATED.
SHELL: IRON ALLOY.
SHELL PLATED: NICKEL PLATED OVERALL.
- ELECTRICAL:**
CURRENT RATING: 1.5 AMP.
VOLTAGE RATING: 30V MAX.
CONTACT RESISTANCE: 30m Ohms MAX.
INSULATION RESISTANCE: 1000M Ohms MINIMUM.
- MECHANICAL:**
CONNECTOR MATING FORCE: 35 N MAX.(3.57KGF).
CONNECTOR UNMATING FORCE: 10 N MIN.(1.02KGF).
- ENVIRONMENTAL:**
OPERATING TEMPERATURE: -0°C TO +50°C.
STORAGE TEMPERATURE: -20°C TO +60°C.
- MARK** ▼ DIMENSION MUST CONTROL, MARK (⊗) IS DIMENSION No.
- MEETS THE REQUIREMENTS OF THE EUROPEAN PARLIAMENT AND THE RESTRICTION OF THE USE OF CERTAIN HAZARDOUS SUBSTANCES IN ELECTRICAL AND ELECTRONIC EQUIPMENT. (RoHS)

DIMENSIONS ARE IN MILLIMETERS TOLERANCES ARE:		APPROVALS		DATE
DECIMALS	ANGLES	DRAWN	Steven Yu	12/03/21
.X ±.35	±3°	CHECKED	Ray	12/03/21
.XX ±.25		APPROVED	Ray	12/03/21
DIMENSIONS IN BRACKETS (X.XX) ARE IN INCHES TOLERANCES ARE:		THE INFORMATION AND DESIGN DISCLOSED HEREIN WAS ORIGINATED BY AND IS THE PROPERTY OF CIRCUIT ASSEMBLY CORPORATION. CIRCUIT ASSEMBLY CORPORATION RESERVES ALL PATENT, PROPRIETARY, DESIGN, MANUFACTURING, REPRODUCTION, USE AND SALES RIGHTS THEREON, AND TO ANY ARTICLE DISCLOSED HEREIN EXCEPT TO THE EXTENT RIGHTS ARE EXPRESSLY GRANTED TO OTHERS. THE FOREGOING DOES NOT APPLY TO VENDOR PROPRIETARY RIGHTS.		
DECIMALS	ANGLES	DO NOT SCALE DRAWING		
.XX ±.014	±3°			
.XXX ±.010				

CIRCUIT ASSEMBLY SHENZHEN			
CA AO XING ROAD, AOBEI 2ND VILLAGE, HENGGANG TOWN			
CONNECTOR ASSEMBLY- USB SERIES			
DUAL STACK, A TYPE, SOCKET			
CA-CC1683-X-X "RoHS"			
SIZE	CODE IDENT NO.	DRAWING NO.	REV.
C	52072	H517445	A
SCALE: 1 : 1		SHEET 1 OF 1	

4 3 2 1