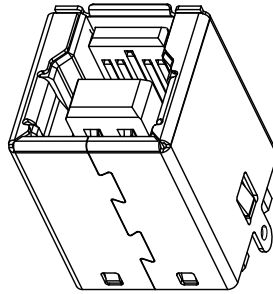
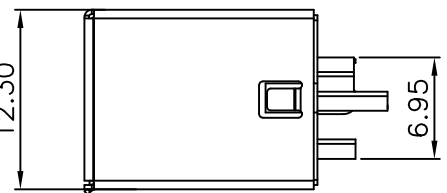
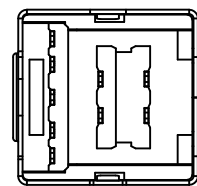
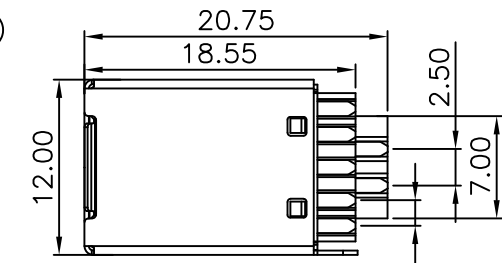


PART NO. CA-H517421-X

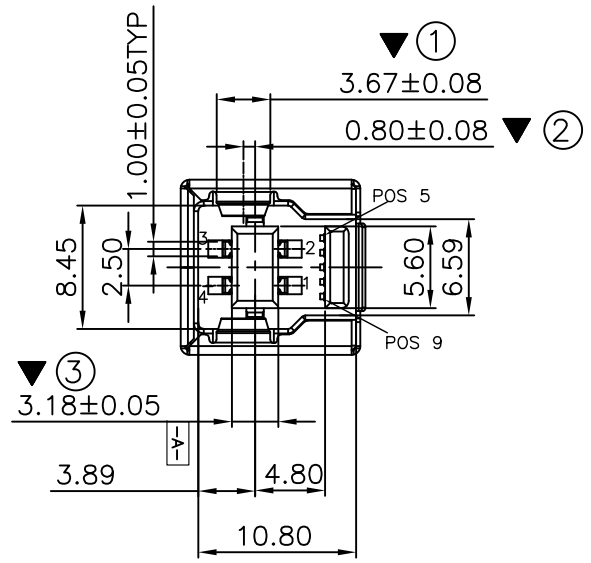
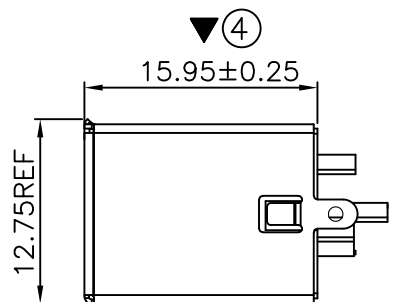
REVISIONS			
LTR	DESCRIPTION	DATE	APPROVED
A	INITIAL RELEASE SEE DO H7893	J.C 4/25/18'	Ray



ORDERING NOMENCLATURE :
 CA-H517421-X
 PLATING: _____
 A=Gold Flash
 C=15U" Au
 F=30U" Au



SPECIFICATIONS:
 Contact current Rating:
 1.8 Amperes for pin1&pin4.
 0.25 Amperes other contacts
 Dielectric Withstanding Voltage:AC 100V(RMS)
 Insulation resistance:100Megohms Minimum.
 Contact Resistance:
 30mΩ Max for pin1&pin4
 50mΩMax for other contacts
 Mechanical Characteristics:
 Mating Force:35 Newtons.Maximum
 Unmating Force:10 Newtons.Minimum.
MATERIAL: 8N Min After Durability
 Housing: PBT+30%GF 94V-0 COLOR:BLUE
 Contact: copper alloy(T=0.25mm)
 Shell: Brass
PLATING:
 Contact: Au Plated on contact area
 Tin Plated on solder area
 Nickel underplating over all
 Shell: Nickel Plated
 operating Temperature:-55°C to+85°C



2. MARK ▼ DIMENSION MUST CONTROL, MARK ⊗ IS DIMENSION No.
 3. MEETS THE REQUIREMENTS OF THE EUROPEAN PARLIAMENT AND THE RESTRICTION OF THE USE OF CERTAIN HAZARDOUS SUBSTANCES IN ELECTRICAL AND ELECTRONIC EQUIPMENT. (ROHS)

DIMENSIONS ARE IN MILLIMETERS TOLERANCES ARE:		APPROVALS		DATE
DECIMALS	ANGLES	DRAWN	James	4/25/18'
X ±.30	±3.5°	CHECKED	James	4/25/18'
.X ±.25	±2.5°	APPROVED	Ray	4/25/18'
.XX ±.15	±2.0°	THE INFORMATION AND DESIGN DISCLOSED HEREIN WAS ORIGINATED BY AND IS THE PROPERTY OF CIRCUIT ASSEMBLY CORPORATION. CIRCUIT ASSEMBLY CORPORATION RESERVES ALL PATENT, PROPRIETARY, DESIGN, MANUFACTURING, REPRODUCTION, USE AND SALES RIGHTS HERETO, AND TO ANY ARTICLE DISCLOSED HEREIN EXCEPT TO THE EXTENT RIGHTS ARE EXPRESSLY GRANTED TO OTHERS. THE FOREGOING DOES NOT APPLY TO VENDOR PROPRIETARY RIGHTS.		
DIMENSIONS IN BRACKETS [X.XX] ARE IN INCHES TOLERANCES ARE:		DO NOT SCALE DRAWING		
DECIMALS	ANGLES			
.X ±.012	±3.5°			
.XX ±.010	±2.5°			
.XXX ±.006	±2.0°			

CIRCUIT ASSEMBLY SHENZHEN AO XING ROAD, AOBELI 2ND VILLAGE, HENG GANG TOWN			
USB 3.0 B FEMALE CONNECTOR			
SIZE	CODE IDENT NO.	DRAWING NO.	REV.
C	52072	H517421	A
SCALE: 1:1		SHEET 1 OF 1	