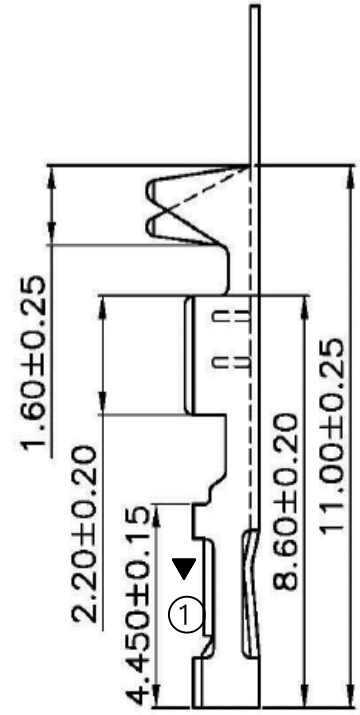
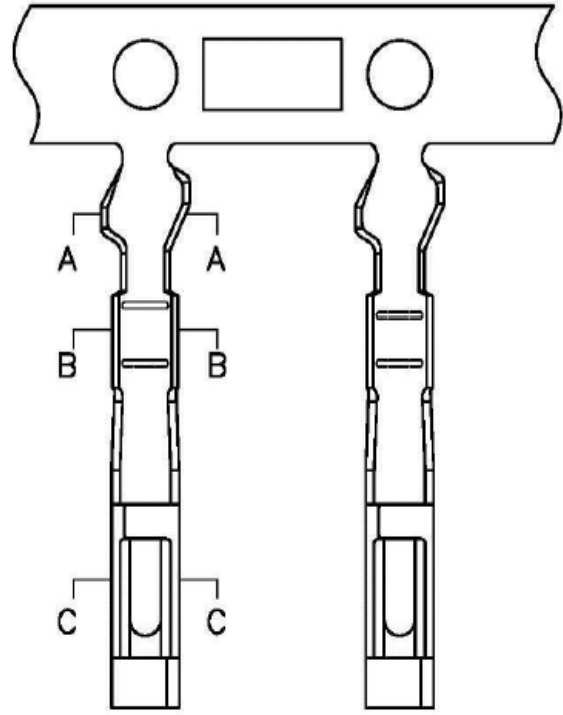
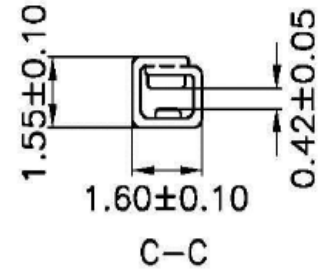
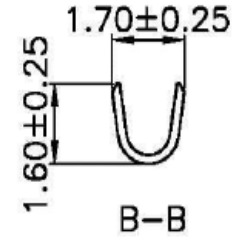
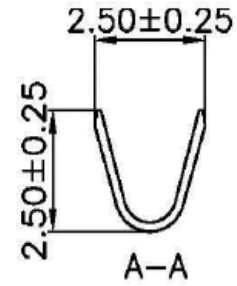


PART NO. CA-CC1736-C-X

REVISIONS			
LTR	DESCRIPTION	DATE	APPROVED
A	INITIAL RELEASE SEE DO H8598	ST.Y 11/02/21'	Ray



ORDERING NOMENCLATURE :
CA-CC1736 - C - X
 CONTACT:
 PLATED:
 T: 80U"~100U" TIN



- NOTE:
1. MATERIAL: PHOSPHOR BRONZE, T=0.20±0.01mm.
 2. PLATING: 80U"~100U" TIN.
 3. RATED CURRENT: 3A AC/DC.
RATED VOLTAGE: 250V AC/DC.
WITHSTANDING VOLTAGE: 1000V AC/MINUTE.
OPERATION TEMPERATURE: -25°C TO +85°C.
 4. APPLICABLE WIRE: AWG #24-#26.
 5. MARK ▼ DIMENSION MUST CONTROL, MARK "⊗" IS DIMENSION No.
 6. MEETS THE REQUIREMENTS OF THE EUROPEAN PARLIAMENT AND THE RESTRICTION OF THE USE OF CERTAIN HAZARDOUS SUBSTANCES IN ELECTRICAL AND ELECTRONIC EQUIPMENT. (RoHS)

DIMENSIONS ARE IN MILLIMETERS TOLERANCES ARE:		APPROVALS		DATE
DRAWN	Steven Yu	11/02/21'		
CHECKED	Ray	11/02/21'		
APPROVED	Ray	11/02/21'		
DECIMALS .X ±.35 .XX ±.25		ANGLES ±3°		
DIMENSIONS IN BRACKETS (X,XX) ARE IN INCHES TOLERANCES ARE:		THE INFORMATION AND DESIGN DISCLOSED HEREIN WAS ORIGINATED BY AND IS THE PROPERTY OF CIRCUIT ASSEMBLY CORPORATION. CIRCUIT ASSEMBLY CORPORATION RESERVES ALL PATENT, PROPRIETARY, DESIGN, MANUFACTURING, REPRODUCTION, USE AND SALES RIGHTS THERE TO, AND TO ANY ARTICLE DISCLOSED HEREIN EXCEPT TO THE EXTENT RIGHTS ARE EXPRESSLY GRANTED TO OTHERS. THE FOREGOING DOES NOT APPLY TO VENDOR PROPRIETARY RIGHTS.		
DECIMALS .XX ±.014 .XXX ±.010		ANGLES ±3°		
DO NOT SCALE DRAWING				

CIRCUIT ASSEMBLY SHENZHEN AO XING ROAD, AOBEI 2ND VILLAGE, HENGANG TOWN			
CRIMP TERMINALS - FEMALE FOR WIRE HARNESS "RoHS"			
SIZE	CODE IDENT NO.	DRAWING NO.	REV.
C	52072	H011363	A
SCALE: 1 : 1			SHEET 1 OF 1