



DVI PLUG, SOLDER TAB

SPECIFICATIONS

Meets: DDWG's DVI specification

ENVIRONMENTAL

Temperature Range: -20°C to +85°C

MECHANICAL

Insulator Material: Glass-filled thermoplastic, black, UL94V-0

Shell Material: Steel

Contact Material: Brass

Contact Plating: Gold Flash

ELECTRICAL

Current Rating: 1.5 AMP

Insulation Resistance: 1000 Megohms Min.

Dielectric Withstanding: 500V AC (rms)

Contact Resistance: 20 Milliohms max

Consult factory for additional plating options

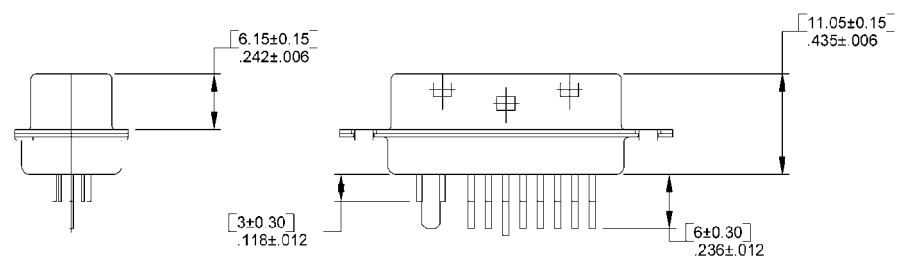
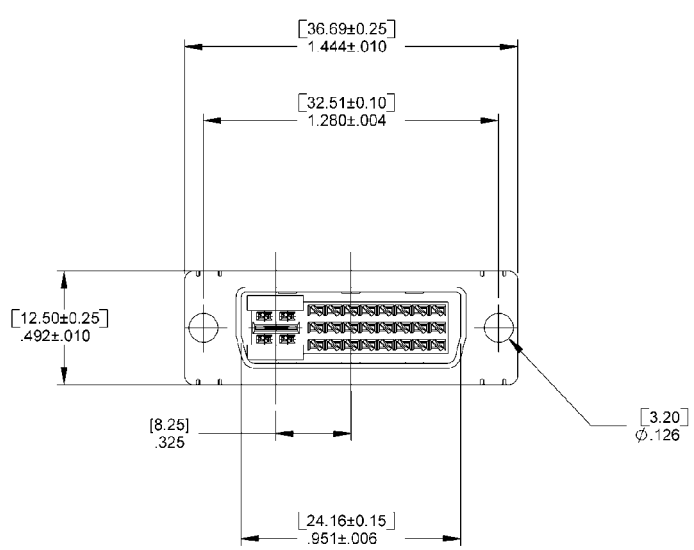
CA- POSITION DVIP TYPE -A

POSITION	TYPE
17 = 12+4+1 (analog)	A = analog (17)
18 = 18+key (digital)	D = digital (18 or 24)
23 = 18+4+1 (integrated)	I = integrated (23 or 29)
24 = 24+key (digital)	
29 = 24+4+1 (integrated)	

DVI ACCESSORIES ORDERED SEPARATELY
See page 15 for details

NOTE: Contact height for Pin #14 is .185 [4.70].
Balance of contacts are .215 [5.46].

CA-29DVIP1-A shown



Mating Product: DVI5, DVI2S (pages 9-13)
Drawing Numbers: 620404, 620405, 620407, 620408, H820005

