

Pitch: .050"

.050" CENTER SOCKET, SCA-2 SOLDER, EXTENDED BODY (.689")

SPECIFICATIONS

Meets: SCSI-3 (80 position) & FC-AL (40 position)
as defined in SFF8451

ENVIRONMENTAL

Temperature Range: -55°C to +85°C

MECHANICAL

Insulator Material: High temperature thermoplastic
black, UL94V-0
Contact Material: Phosphor Bronze
Clip Material: Brass
Contact Plating: Mating area: 30µ IN gold
Tail area: 150µ IN tin/lead
Underplate: 50µ IN nickel

ELECTRICAL

Current Rating: See table below

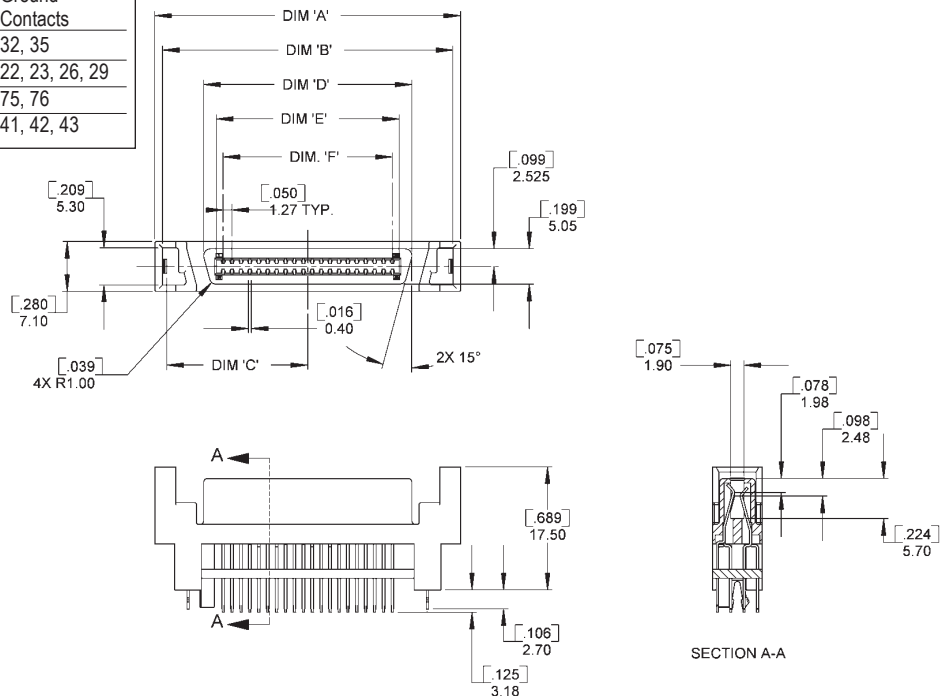
Consult factory for additional options

CA- POSITION SCA2-F-12

POSITION	
40	80

DIMENSIONS						
Position	A	B	C	D	E	F
40	1.717 [43.60]	1.630 [41.40]	.791 [20.10]	1.168 [29.67]	1.025 [26.03]	.950 [24.13]
80	2.717 [69.00]	2.630 [68.80]	1.291 [32.80]	2.168 [55.07]	2.025 [51.43]	1.950 [49.53]

Electrical Rating				
Position	Current Amps	Voltage Volts	Voltage Contacts	Ground Contacts
40	2	5	19, 20	32, 35
40	2.5	12	2, 3, 4	22, 23, 26, 29
80	2	5	34, 35	75, 76
80	3	12	2, 3, 4	41, 42, 43



Mating Product:
Drawing Number CA-610230

For more information please contact our customer service department or visit our website at circuitassembly.com