

## DIP PACKAGING SOCKET WIRE WRAP

### SPECIFICATIONS

#### ENVIRONMENTAL

Temperature Range: -55°C to +105°C

#### MECHANICAL

Insulator Material: Glass-filled polyester, black, UL94V-0

Contact Material: Phosphor Bronze

Contact Plating: 10µ IN gold

#### ELECTRICAL

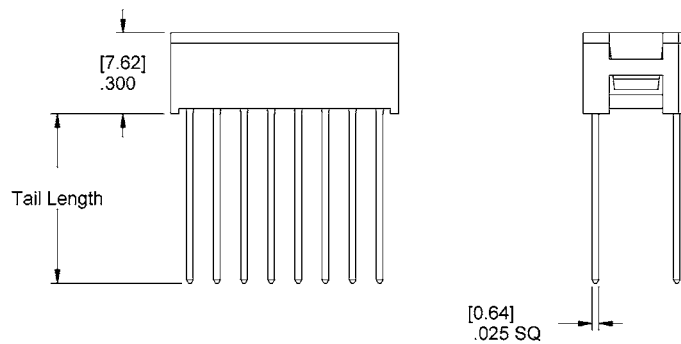
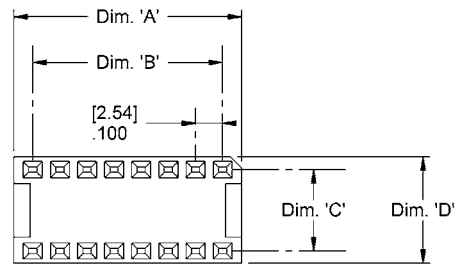
Current Rating: 1 AMP

Consult factory for additional options

CA-  S-  WW

POSITION	TAIL LENGTH
10 20	101 = .31"
14 24	102 = .41"
16 28	103 = .63"
18 40	

DIMENSIONS				
Position	A	B	C	D
10	.545 [13.84]	.400 [10.16]	.200 [5.08]	.295 [7.49]
14	.745 [18.92]	.600 [15.24]	.300 [7.62]	.395 [10.03]
16	.845 [21.46]	.700 [17.78]	.300 [7.62]	.395 [10.03]
18	.945 [24.00]	.800 [20.32]	.300 [7.62]	.395 [10.03]
20	1.045 [26.54]	.900 [22.86]	.300 [7.62]	.395 [10.03]
24	1.245 [31.62]	1.100 [27.94]	.600 [15.24]	.695 [17.65]
28	1.445 [36.70]	1.300 [33.02]	.600 [15.24]	.695 [17.65]
40	2.045 [51.94]	1.900 [48.26]	.600 [15.24]	.695 [17.65]



Mating Product: IDPB (page 84), IDP2 (page 85), Dip plugs (page 158)

Drawing Number CA-610209

For more information please contact our customer service department or visit our website at circuitassembly.com

Circuit Assembly Worldwide Hqtrs. 3A Vanderbilt, Irvine, CA 92618-2030 USA Tel 1-949-855-7887 Fax 1-949-855-4298

