

Pitch: .100" x .100"

INSULATION DISPLACEMENT EJECT HEADER

SPECIFICATIONS

ENVIRONMENTAL

Temperature Range: -55°C to +105°C

MECHANICAL

Insulator Material: Glass-filled polyester, gray, UL94V-0

Contact Material: Phosphor Bronze

Contact Plating: See options below

Terminates To: .050" cable, 28 AWG

ELECTRICAL

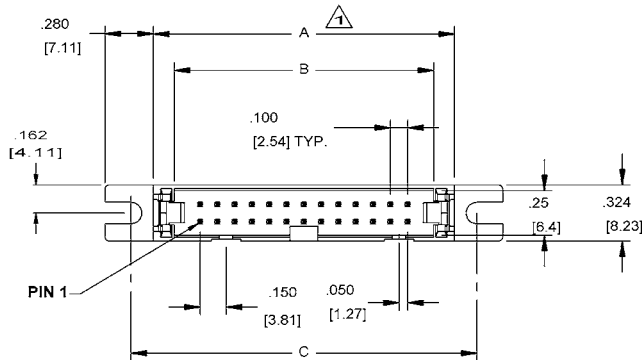
Current Rating: 1 AMP

Consult factory for additional options

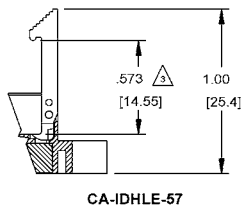
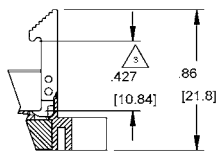
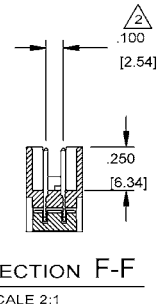
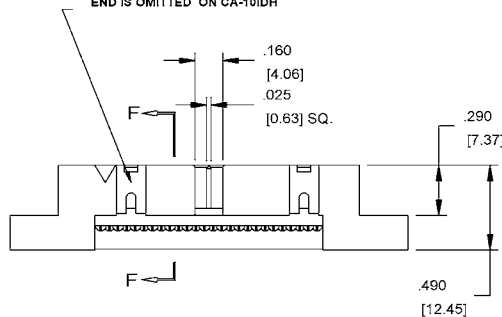
CA- IDH- -SPT

POSITION	EARS	PLATING
10 40	2 = with ears	C = 15µ IN gold
20 50	3 = no ears	F = 30µ IN gold
26 60		
34		

DIMENSIONS			
Position	A	B	C
10	.900 [22.86]	.700 [17.78]	1.200 [30.48]
20	1.400 [35.56]	1.200 [30.48]	1.700 [43.18]
26	1.700 [43.18]	1.500 [38.10]	2.000 [50.80]
34	2.100 [53.34]	1.900 [48.26]	2.400 [60.96]
40	2.400 [60.96]	2.200 [55.88]	2.700 [68.58]
50	2.900 [73.66]	2.700 [68.58]	3.200 [81.28]
60	3.400 [86.36]	3.200 [81.28]	3.700 [93.98]



THE POLARIZING FEATURE ON THIS END IS OMITTED ON CA-10IDH



Mating Product: H Series (page 94-103), DXX, DXXR strip header (page 107-109), IDHB (page 82)

Drawing Number: CA-620228

For more information please contact our customer service department or visit our website at circuitassembly.com

Circuit Assembly Worldwide Hqtrs. 3A Vanderbilt, Irvine, CA 92618-2030 USA Tel 1-949-855-7887 Fax 1-949-855-4298

