



Pitch: .100" x .100"

SHROUDED EJECT HEADER VALUE LINE

SPECIFICATIONS

ENVIRONMENTAL

Temperature Range: -55°C to +105°C

MECHANICAL

Insulator Material: Glass-filled thermoplastic, black, UL94V-0

Contact Material: Copper Alloy

Contact Plating: See options below

ELECTRICAL

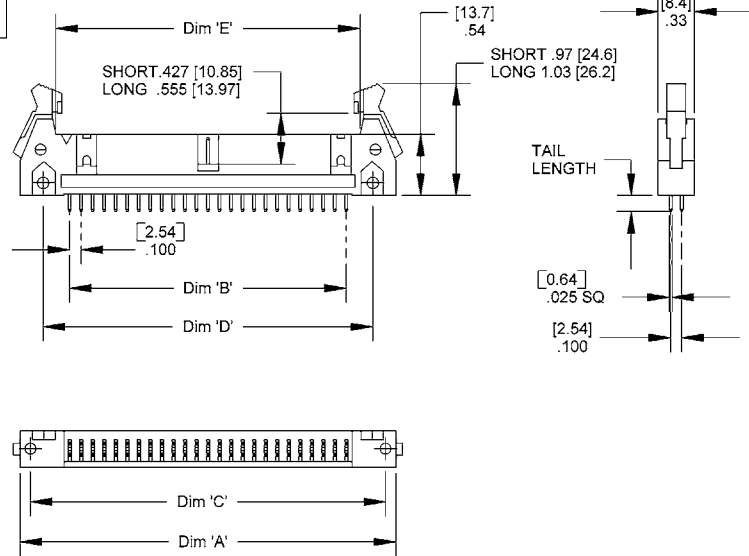
Current Rating: 1 AMP

Consult factory for additional options

CA- H2-1 -

POSITION		PLATING	LATCH
10	26	A = gold flash	S = Short latch
14	30	C = 15µ IN gold	SR = Long latch
16	34		
20	40		
24	50		

DIMENSIONS					
Position	A	B	C	D	E
10	1.272 [32.31]	.400 [10.16]	1.090 [27.69]	.854 [21.69]	.719 [18.26]
14	1.472 [37.39]	.600 [15.24]	1.290 [32.77]	1.054 [26.77]	.919 [23.34]
16	1.572 [39.93]	.700 [17.78]	1.390 [35.21]	1.154 [29.31]	1.019 [25.88]
20	1.772 [45.01]	.900 [22.86]	1.590 [40.39]	1.354 [34.39]	1.219 [30.96]
24	1.972 [50.09]	1.100 [27.94]	1.790 [45.47]	1.554 [39.47]	1.419 [36.04]
26	2.072 [52.63]	1.200 [30.48]	1.890 [48.01]	1.654 [42.01]	1.519 [38.58]
30	2.272 [57.71]	1.400 [35.56]	2.090 [53.09]	1.854 [47.09]	1.719 [43.66]
34	2.472 [62.79]	1.600 [40.64]	2.290 [58.17]	2.054 [52.17]	1.919 [48.74]
40	2.772 [70.41]	1.900 [48.26]	2.590 [65.79]	2.354 [59.79]	2.219 [56.36]
50	3.272 [83.11]	2.400 [60.96]	3.090 [78.49]	2.854 [72.49]	2.719 [69.06]



Mating Product: IDS2 (page 80), IDS3 (page 78), FID (page 79), ATAS (page 42)

Drawing Number: CA-620413



For more information please contact our customer service department or visit our website at circuitassembly.com

Circuit Assembly Worldwide Hqtrs. 3A Vanderbilt, Irvine, CA 92618-2030 USA Tel 1-949-855-7887 Fax 1-949-855-4298

