



Pitch: .109" x .112"

### D-SUB SOCKET, IDT

#### SPECIFICATIONS

##### ENVIRONMENTAL

Temperature Range: -55°C to +105°C

##### MECHANICAL

Insulator Material: Glass-filled thermoplastic, black, UL94V-0  
*Note:* 37 position, -4 option - insulator color is blue

Shell Material: Steel

Contact Material: Copper Alloy

Contact Plating: Gold Flash

Terminates To: .050" cable, 28 AWG

##### ELECTRICAL

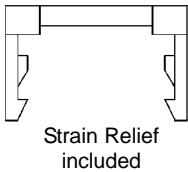
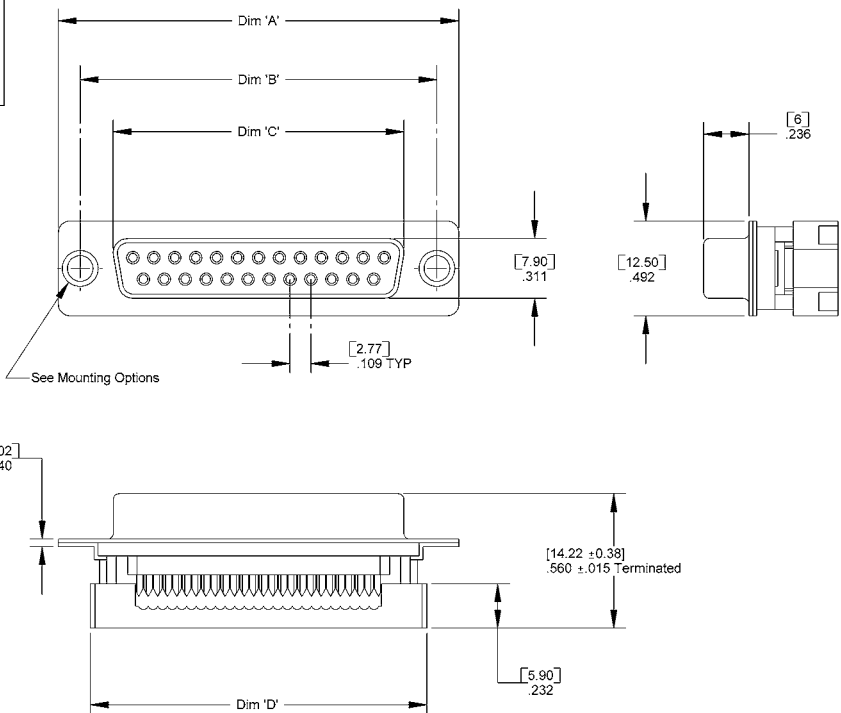
Current Rating: 1 AMP

Consult factory for additional options

CA-  DSID-  -SR

POSITION	MOUNTING HOLE OPTIONS
09 25	Blank = .120" thru holes
15 37	4 = 4-40 threaded insert

DIMENSIONS				
Position	A	B	C	D
09	1.21 [30.8]	.984 [24.99]	.642 [16.31]	.880 [22.40]
15	1.54 [39.1]	1.311 [33.30]	.969 [24.61]	1.210 [30.70]
25	2.09 [53.1]	1.854 [47.09]	1.508 [38.30]	1.750 [44.50]
37	2.73 [69.4]	2.500 [63.50]	2.157 [54.79]	2.420 [61.50]



Mating Product: DPR (page 142), DPD (page 140), DPRL (page 144)

Drawing Number: CA-610166

For more information please contact our customer service department or visit our website at circuitassembly.com

Circuit Assembly Worldwide Hqtrs. 3A Vanderbilt, Irvine, CA 92618-2030 USA Tel 1-949-855-7887 Fax 1-949-855-4298

