



SERIAL ATA DUAL STACK PLUG SMT

SPECIFICATIONS

ENVIRONMENTAL

Temperature Range: -40°C to +105°C

MECHANICAL

Insulator Material: High-temperature thermoplastic, UL94V-0

Contact Material: Copper Alloy

Contact Plating: See options below

Clip Material: Brass

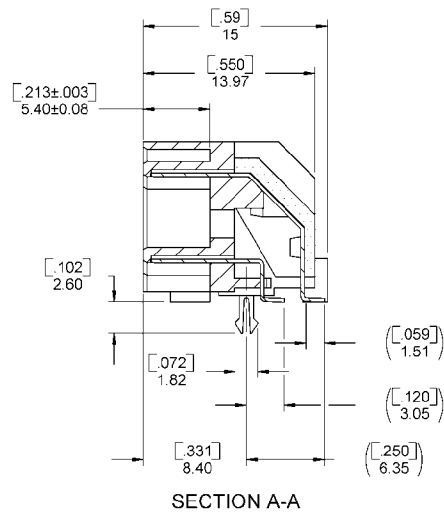
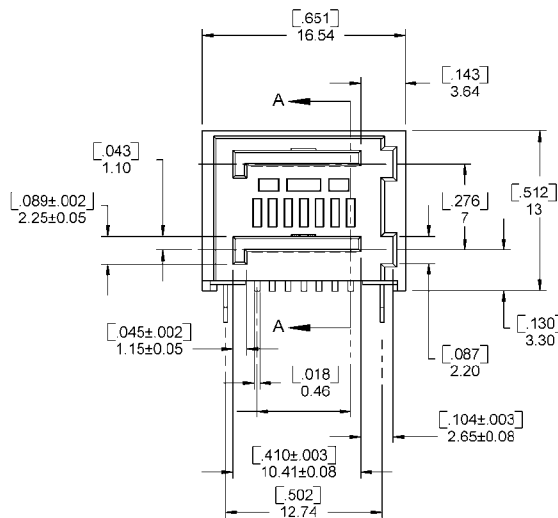
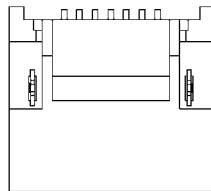
Clip Plating: 150µ IN tin over 50µ IN gold

ELECTRICAL

Current Rating: 1 AMP

CA-D14SAHPR-PLATING-0-5T

PLATING	
A	= gold flash
C	= 15µ IN gold
D	= 5µ IN gold
F	= 30µ IN gold



Mating Product: SAHS (pages 26-29)
Drawing Number: CA-620494



For more information please contact our customer service department or visit our website at circuitassembly.com

Circuit Assembly Worldwide Hqtrs. 3A Vanderbilt, Irvine, CA 92618-2030 USA Tel 1-949-855-7887 Fax 1-949-855-4298