

2



Pitch: .050" x .100"

SCSI SOCKET, SCSI-2 IDT PANEL MOUNT WITH LATCHES

SPECIFICATIONS

Meets: SCSI-2 standard

ENVIRONMENTAL

Temperature Range: -55°C to +105°C

MECHANICAL

Insulator Material: Glass-filled polyester, black, UL94V-0

Shell Material: Steel, tin plated

Frame Material: Zinc, nickel plate

Contact Material: Phosphor Bronze

Contact Plating: Mating Area: 30µ IN gold

Terminates To: .025" cable, 30 AWG

ELECTRICAL

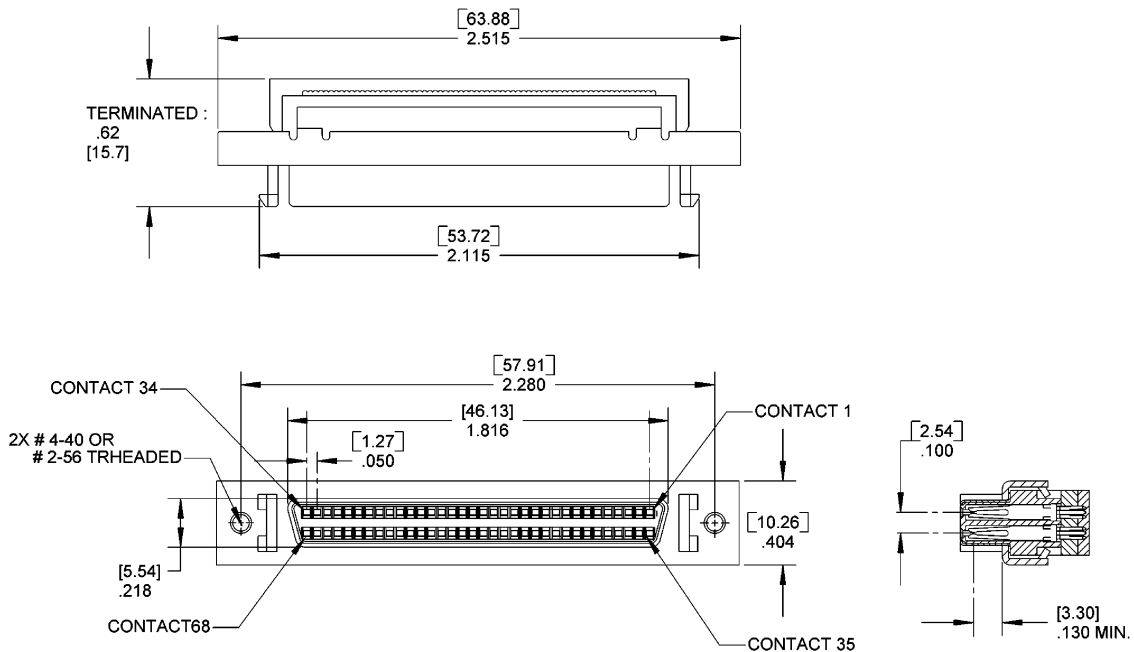
Current Rating: 0.5 AMP

Consult factory for additional options



Patented 4 Point/3 Blade

CA-68NFDS-E-1



Mating Product: MDP (page 44-45), NFDP (page 46)

Drawing Number: CA-610288

