



Pitch: .050" x .100"

CA-68NFDS-E-0

SCSI SOCKET, SCSI-3 IDT PANEL MOUNT SOCKET WITH 4-40

SPECIFICATIONS

Meets: SCSI-3 standard (68 position)

ENVIRONMENTAL

Temperature Range: -55°C to +105°C

MECHANICAL

Insulator Material: Glass-filled polyester, black, UL94V-0

Shell Material: Steel, tin plated

Frame Material: Zinc, nickel plate

Contact Material: Phosphor Bronze

Contact Plating: 30µ IN gold

Terminates To: .025" cable, 30 AWG

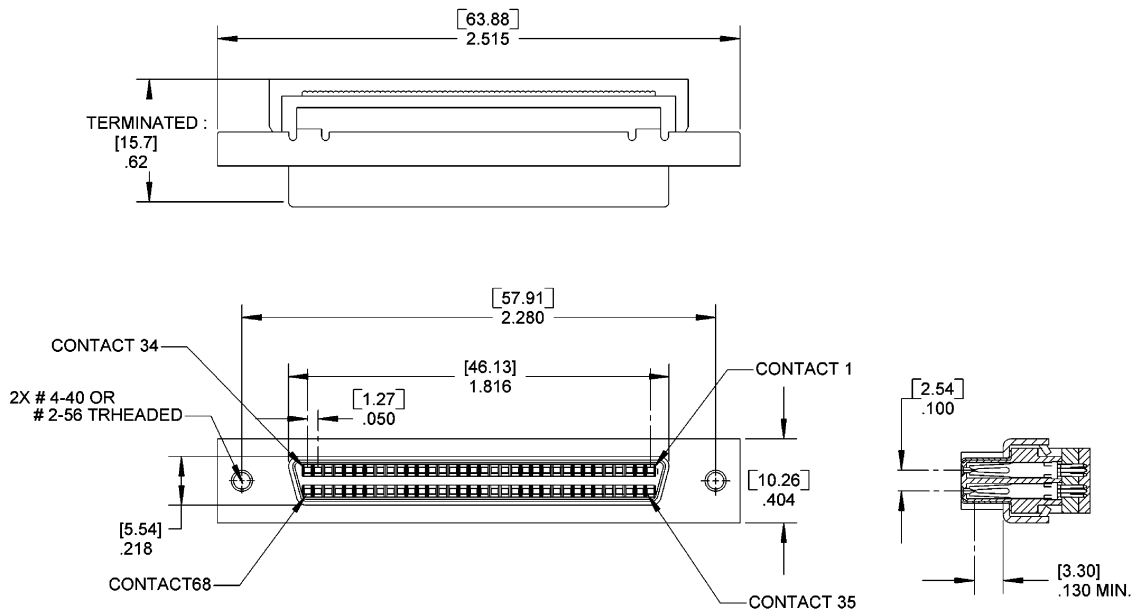
ELECTRICAL

Current Rating: 0.5 AMP

Consult factory for additional options



Patented 4 Point/3 Blade



Mating Product: MDP (page 44-45), NFDP (page 46)

Drawing Number: CA-610288



For more information please contact our customer service department or visit our website at circuitassembly.com

Circuit Assembly Worldwide Hqtrs. 3A Vanderbilt, Irvine, CA 92618-2030 USA Tel 1-949-855-7887 Fax 1-949-855-4298