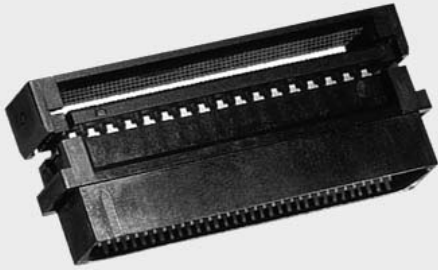


Patent Number 5,971,793



Pitch: .050" X .100"

INSULATION DISPLACEMENT PLUG SCSI-2/3 FOR 30 AWG

SPECIFICATIONS

Meets: SCSI-3 Standard

ENVIRONMENTAL

Temperature Range: -55°C to +105°C

MECHANICAL

Insulator Material: Glass-filled polyester, black, UL94V-0

Contact Material: Phosphor Bronze

Contact Plating: See options below

Terminates To: .025" cable, 30 AWG

ELECTRICAL

Current Rating: 0.5 AMP

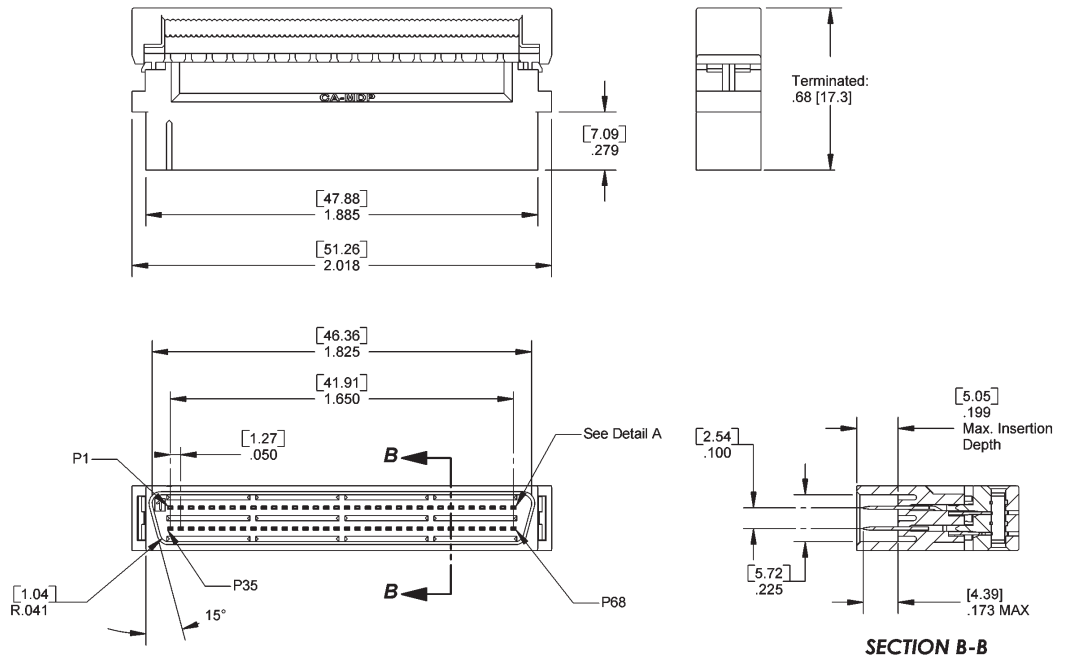
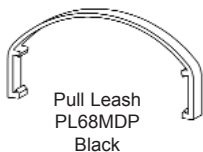
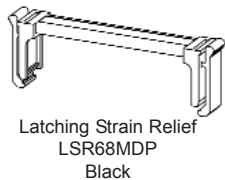
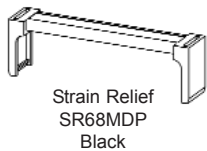
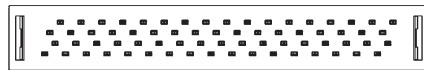
Consult factory for additional plating options



Patented IDT Design

CA-68MDP- PLATING - OPTION

PLATING	ACCESSORY OPTIONS
F = 30µ IN gold	SR = Strain Relief
C = 15µ IN gold	LSR = Latching Strain Relief
A = gold flash	PL = Pull Leash



Mating Product: HDSR, NFDS
Drawing Number CA-620368



For more information please contact our customer service department or visit our website at circuitassembly.com

Circuit Assembly Worldwide Hqtrs. 3A Vanderbilt, Irvine, CA 92618-2030 USA

Tel 1-949-855-7887 Fax 1-949-855-4298