

Pitch: .050" x .100"

SCSI SOCKET, SCSI-2 IDT PANEL MOUNT WITH LATCHES

SPECIFICATIONS

Meets: SCSI-2 standard

ENVIRONMENTAL

Temperature Range: -55°C to +105°C

MECHANICAL

Insulator Material: Glass-filled thermoplastic, black, UL94V-0

Shell Material: Die cast zinc

Contact Material: Copper Alloy

Contact Plating: Mating area: 30μ IN gold

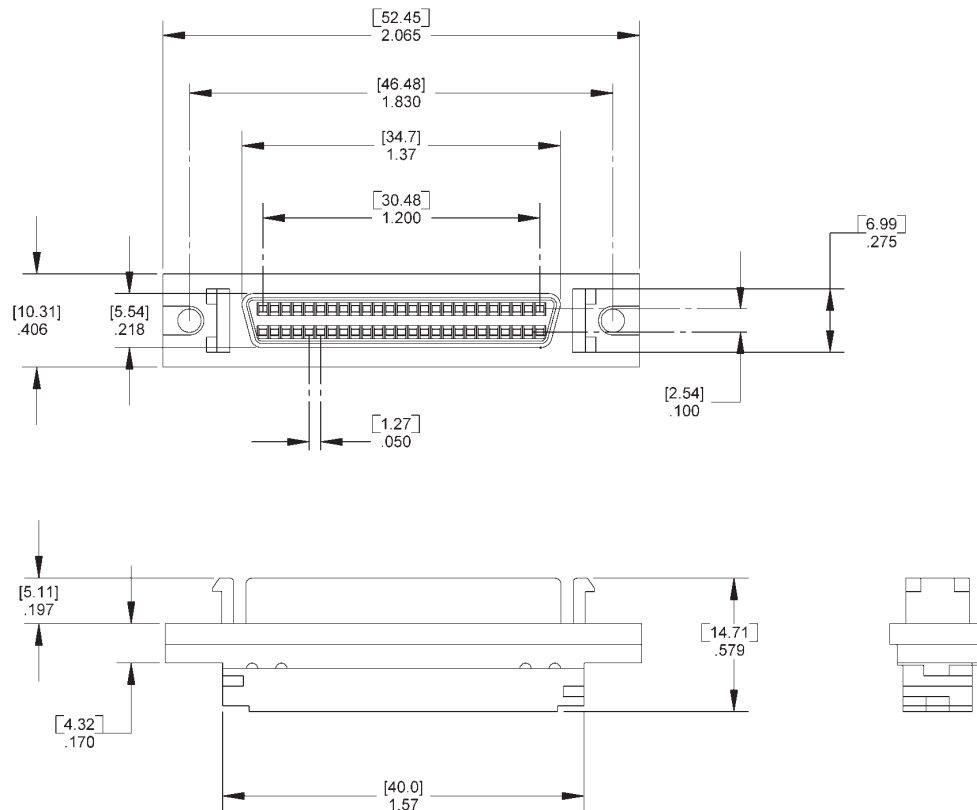
Terminates To: .050" cable, 28 AWG (2 layers)

ELECTRICAL

Current Rating: 1 AMP

Consult factory for additional options

CA-50HDS-1-050



Mating Product: HDP, HDPSM, MDP, N FDP
Drawing Number CA-610231