

4

3

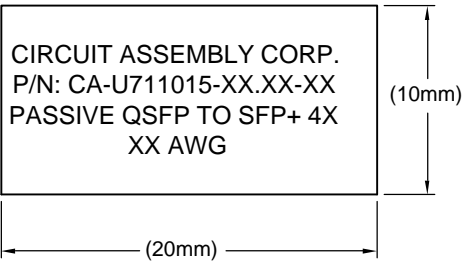
2

1

PART NO. CA-U711015-XX.XX-XX

REVISIONS			
LTR	DESCRIPTION	DATE	APPROVED
A	INITIAL RELEASE SEE DO 7218	C.P. 11-30-12	I.M.
B	SEE DO 7220	C.P. 01-02-13	I.M.
C	SEE DO 7221	C.P. 01-10-13	I.M.

Ⓢ LABEL :



ORDERING NOMENCLATURE:

CA - U711015 - XX.XX-XX

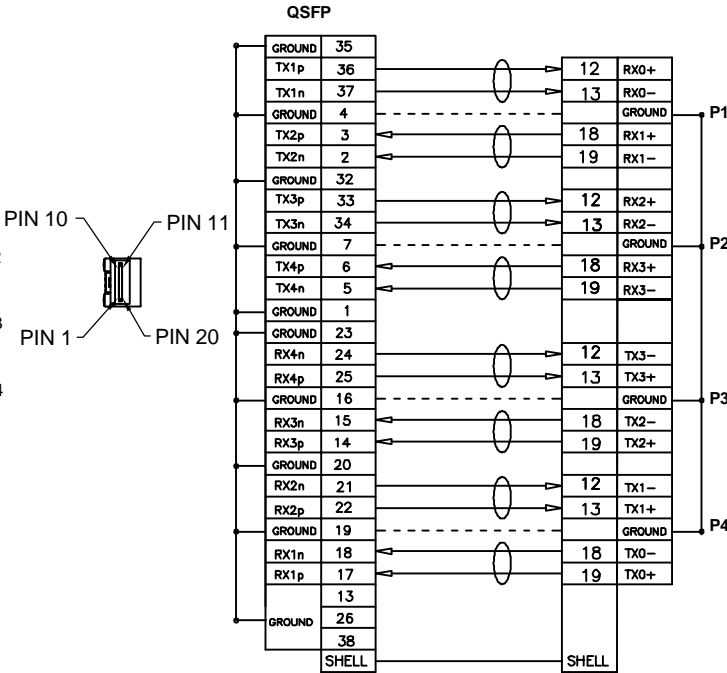
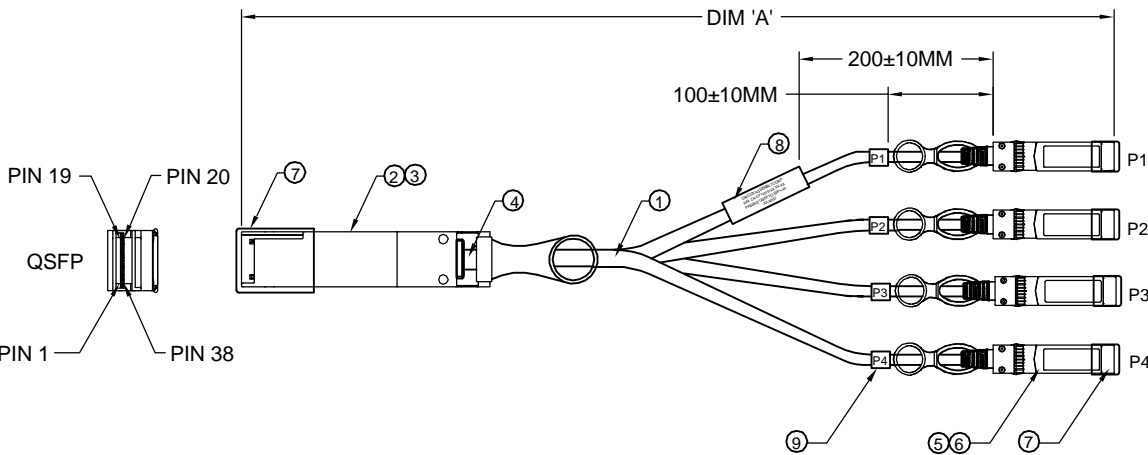
CABLE: \_\_\_\_\_  
PASSIVE QSFP TO SFP+ X4

CABLE LENGTH: \_\_\_\_\_  
DIM 'A' IN METERS  
CONSULT FACTORY FOR OTHER LENGTHS  
ARE AVAILABLE, TOLERANCES:

DIM "A"	Tolerance(IN METERS)
0.51M TO 1.0M	±0.05M
1.01M TO 3.00M	±0.08M
3.01M TO 5.00M	±0.13M
5.01M TO 10.00M	±0.25M
10.01M TO 20.00M	±0.50M
20.01M OR ABOVE	2% OF THE LENGTH

WIRE GAUGE: \_\_\_\_\_  
-30 = 30 AWG, COLOR: BLACK, 100 OHM  
-28 = 28 AWG, COLOR: BLACK, 100 OHM

WIRING DIAGRAM:



9	4	LABEL	CABLE LABEL : P1, P2, P3, P4
8	1	LABEL	FOR CONTENT, SEE LABEL DETAIL
7	A/R	DUST COVER	49.0006SZ
6	4	PCB	PASSIVE SFP + PCBA
5	4	CONNECTOR	SFP+ CONNECTOR (NO LOGO, BLACK, PULL TAB)
4	A/R	STRAIN RELIEF MOLD	PVC 75A
3	1	PCB	QSFP PRINT CIRCUIT BOARD
2	1	CONNECTOR	QSFP CONNECTOR
1.2	A/R	CABLE OPTION	2P X 28AWG. 100 OHM, COLOR: BLACK
1.1	A/R	CABLE OPTION	2P X 30AWG. 100OHM, COLOR: BLACK
ITEM	QTY	NAME	DESCRIPTION

DIMENSION ARE INMILLIMETERS TOLERANCES ARE:		APPROVALS	DATE
DECIMALS	ANGLES	DRAWN CUONG P.	11-16-12
X .25	±3°	CHECKED IAN MORRELL	11-16-12
XX ±.13		THE INFORMATION AND DESIGN DISCLOSED HEREIN WAS ORIGINATED BY AND IS THE PROPERTY OF CIRCUIT ASSEMBLY CORPORATION. CIRCUIT ASSEMBLY CORPORATION RESERVES ALL PATENT, PROPRIETARY, DESIGN, MANUFACTURING, REPRODUCTION, USE AND SALES RIGHTS THEREBTO, AND TO ANY ARTICLE DISCLOSED HEREIN EXCEPT TO THE EXTENT RIGHTS ARE EXPRESSLY GRANTED TO OTHERS. THE FOREGOING DOES NOT APPLY TO VENDOR PROPRIETARY RIGHTS.	
DECIMALS	ANGLES	DO NOT SCALE DRAWING	
.XX ±.010	±3°		
XXX ±.005			

CIRCUIT ASSEMBLY CORP. 18 THOMAS ST., IRVINE, CALIFORNIA 92618-2777			
<b>CABLE ASSEMBLY PASSIVE QSFP TO SFP+ 4X, 30 OR 28 AWG "ROHS COMPLIANT"</b>			
SIZE C	CODE IDENT NO. 52072	DRAWING NO. <b>U711015</b>	REV. <b>C</b>
SCALE: 4 : 1		SHEET 1 OF 1	

4

3

2

1