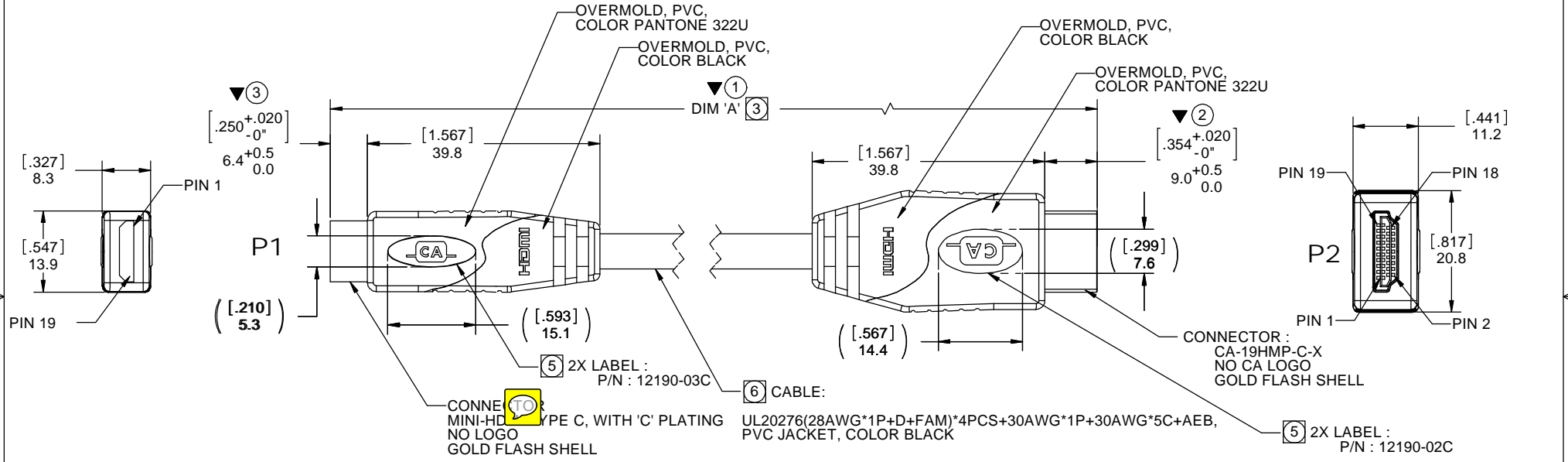
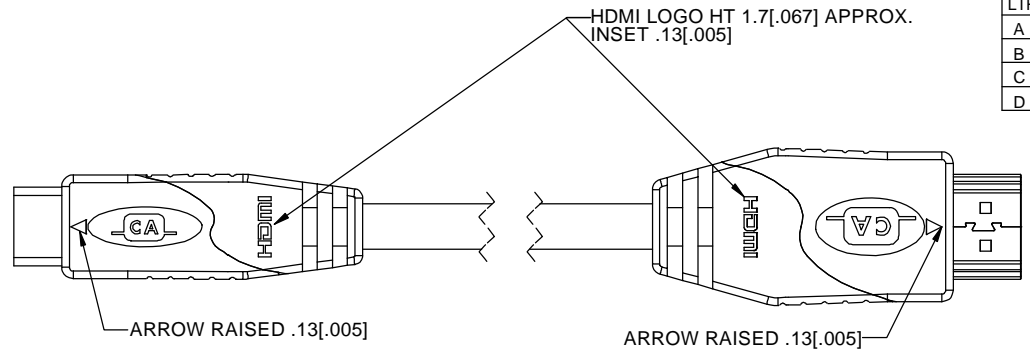


PART NO. CA-U710028-0X.0-X

REVISIONS				
LTR	DESCRIPTION	DATE	APPROVED	
A	INITIAL RELEASE SEE DO 6666	CP 7-08-08	A.J.	
B	SEE DO 6708	CP 7-18-08	A.J.	
C	SEE DO 6711	CP 7-23-08	A.J.	
D	SEE DO 7383	CP 2-15-17	I.M.	



7. MARK "▼" DIMENSION MUST BE CONTROLLED.

MARK "ⓧ" IS DIMENSION No.

⑥ PRINT ON CABLE AS FOLLOWS :

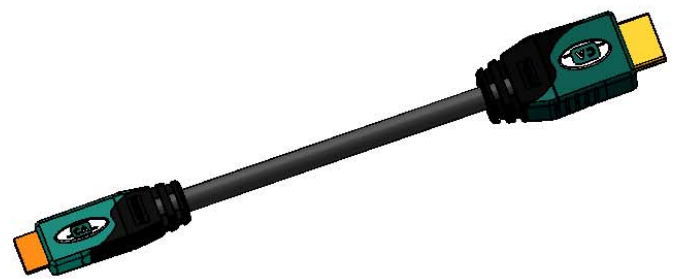
www.circuitassembly.com

⑤ RECESSED 0.8mm ▼ TO ACCEPT ADHESIVE BACKED DOME LABEL.

④ SEE PACKAGING INSTRUCTION (SHEET 2 OF 2)

③ CONSULT FACTORY FOR OTHER LENGTHS AVAILABLE, TOLERANCE :

DIM 'A'	TOLERANCE (IN METERS)
.15M-.5M	±.025M
.51M-1.0M	±.05M
1.01M-3.0M	±.075M



ORDERING NOMENCLATURE :

CA-U710028-0X.0-X

CABLE LENGTH
DIM "A" IN METERS
05.0 = 5M ±.130M
03.0 = 3M ±.075M
02.0 = 2M ±.075M

④ PACKAGING
P = POLY BAG

2 HDMI, THE HDMI LOGO, AND HIGH-DEFINITION MULTIMEDIA INTERFACE ARE TRADEMARKS OR REGISTERED TRADEMARKS OF HDMI LICENSING LLC.

1. MEETS THE REQUIREMENTS OF THE EUROPEAN PARLIAMENT AND THE RESTRICTION OF THE USE CERTAIN HAZARDOUS SUBSTANCES IN ELECTRICAL AND ELECTRONIC EQUIPMENT. (ROHS)

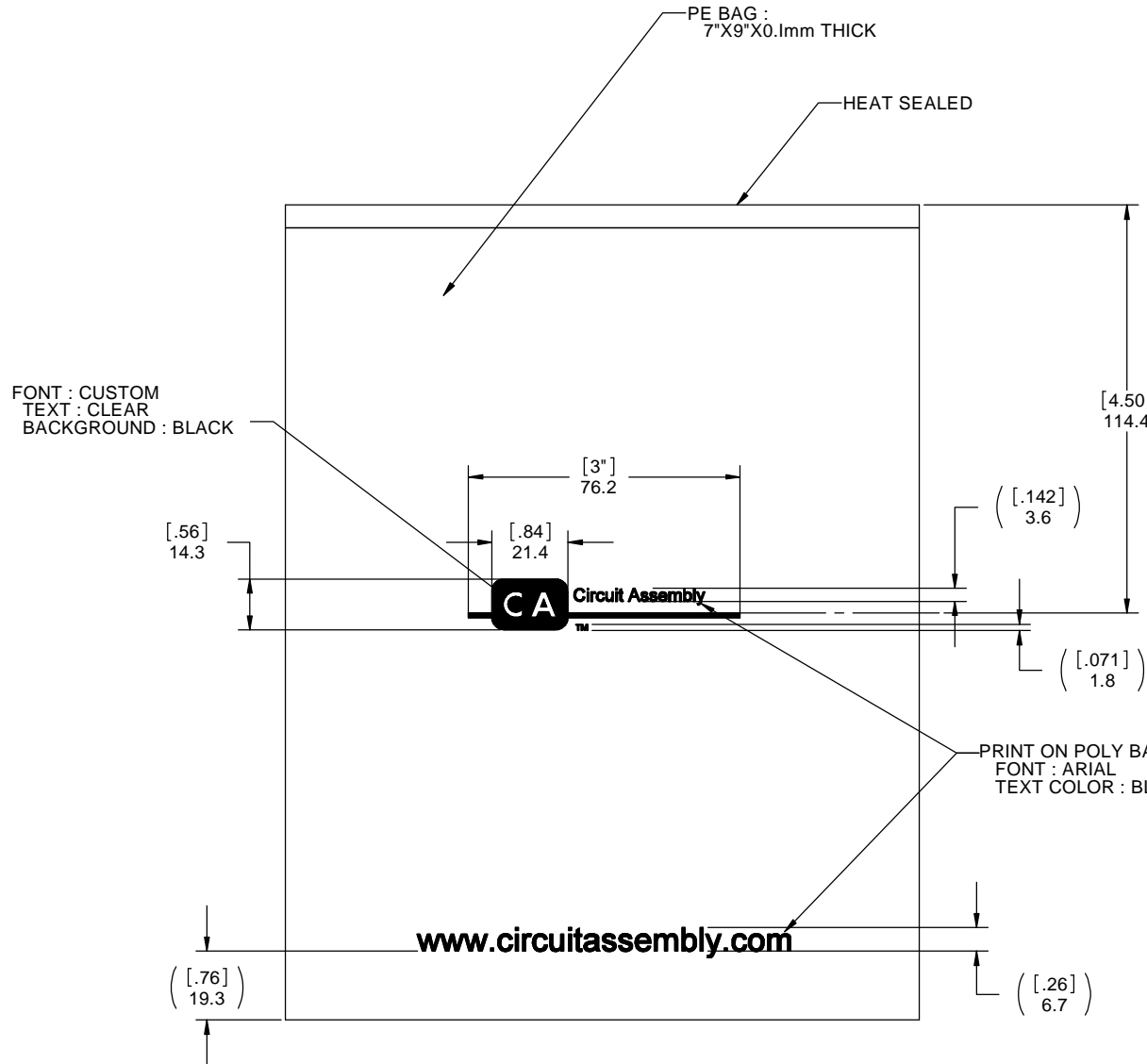
NOTES : UNLESS OTHERWISE SPECIFIED

DIMENSIONS ARE IN MM TOLERANCES ARE:		APPROVALS		DATE
DECIMALS	ANGLES	DRAWN CUONG P.		7-08-08
.X ± .3	±3°	CHECKED ART JOCHEN		7-08-08
.XX ± .15		THE INFORMATION AND DESIGN DISCLOSED HEREIN WAS ORIGINATED BY AND IS THE PROPERTY OF CIRCUIT ASSEMBLY CORPORATION. CIRCUIT ASSEMBLY CORPORATION RESERVES ALL PATENT, PROPRIETARY, DESIGN, MANUFACTURING, REPRODUCTION, USE AND SALES RIGHTS THERE TO, AND TO ANY ARTICLES DISCLOSED HEREIN EXCEPT TO THE EXTENT RIGHTS ARE EXPRESSLY GRANTED TO OTHERS. THE FOREGOING DOES NOT APPLY TO VENDOR PROPRIETARY RIGHTS.		
DIMENSIONS IN BRACKETS [X.XX] ARE IN INCHES TOLERANCES ARE:		SIZE	CODE IDENT NO.	DRAWING NO.
DECIMALS	ANGLES	C	52072	U710028
.XX ± .012	±3°	SCALE: 2:1		SHEET 1 OF 2
.XXX ± .006				

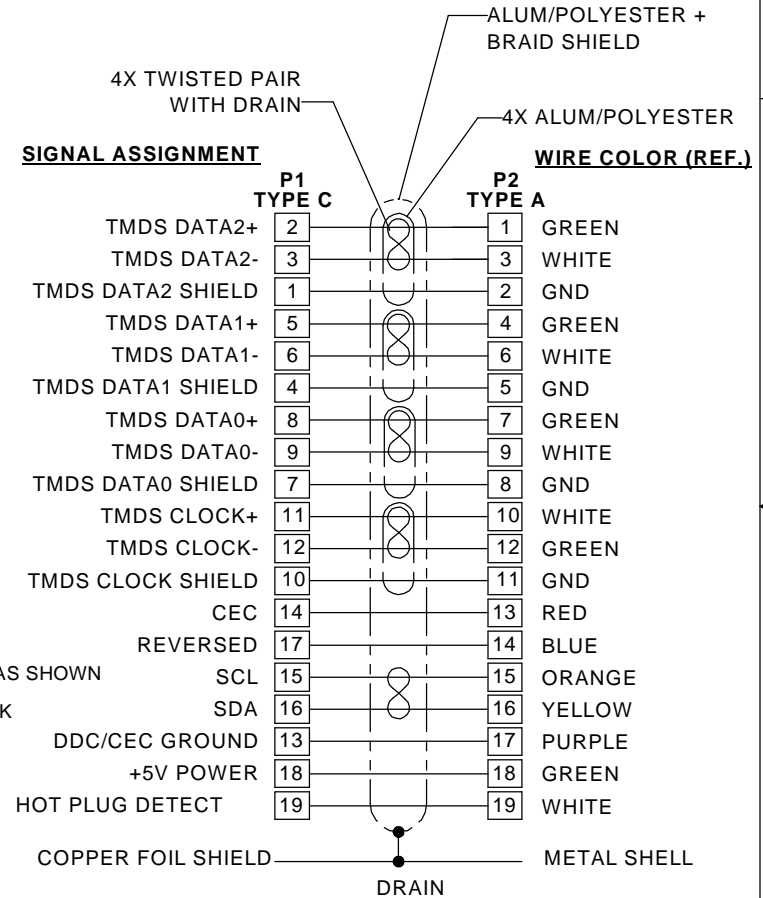
CIRCUIT ASSEMBLY CORP.			
18 THOMAS ST., IRVINE, CALIFORNIA 92618-2777			
CABLE ASSEMBLY-2 COLOR OM HDMI TO MINI-HDMI "ROHS COMPLIANT"			
REV.	D	DRAWING NO.	U710028
CODE IDENT NO.	52072	SCALE: 2:1	

4 PACKAGING :
P = POLY BAG

REVISIONS			
LTR	DESCRIPTION	DATE	APPROVED
	SEE SHEET 1 OF 2		



WIRING DIAGRAM :



www.circuitassembly.com

PRINT ON POLY BAG AS SHOWN
FONT : ARIAL
TEXT COLOR : BLACK

DIMENSIONS ARE IN MM TOLERANCES ARE: DECIMALS ANGLES X ± .3 ±3° .XX ± .15		APPROVALS DRAWN CUONG P. 7-08-08	DATE 7-08-08	CIRCUIT ASSEMBLY CORP. 18 THOMAS ST., IRVINE, CALIFORNIA 92618-2777
DIMENSIONS IN BRACKETS [X.XX] ARE IN INCHES TOLERANCES ARE: DECIMALS ANGLES XX ± .012 ±3° XXX ± .006		CHECKED ART JOCHEN 7-08-08		
<small>THE INFORMATION AND DESIGN DISCLOSED HEREIN WAS ORIGINATED BY AND IS THE PROPERTY OF CIRCUIT ASSEMBLY CORPORATION. CIRCUIT ASSEMBLY CORPORATION RESERVES ALL PATENT, PROPRIETARY, DESIGN, MANUFACTURING, REPRODUCTION, USE AND SALES RIGHTS THEREAFTER, AND TO ANY ARTICLES DISCLOSED HEREIN EXCEPT TO THE EXTENT RIGHTS ARE EXPRESSLY GRANTED TO OTHERS. THE FOREGOING DOES NOT APPLY TO VENDOR PROPRIETARY RIGHTS.</small>				CABLE ASSEMBLY-2 COLOR OM HDMI TO MINI-HDMI "ROHS COMPLIANT"
DO NOT SCALE DRAWING	SCALE: 1:1	SIZE C	CODE IDENT NO. 52072	DRAWING NO. U710028
				REV. D
				SHEET 2 OF 2