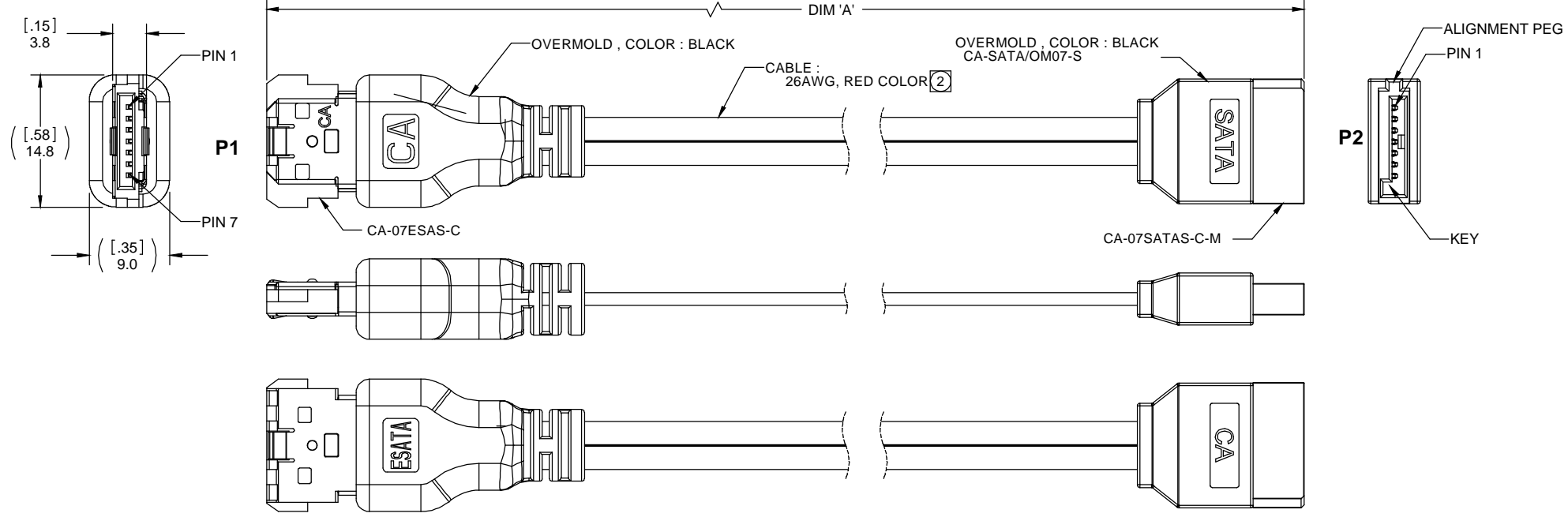
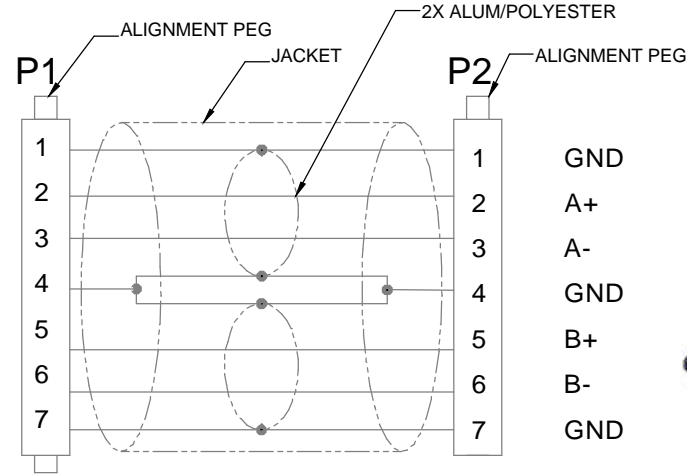


PART NO. CA-U709098-X.XM

REVISIONS				
LTR	DESCRIPTION	DATE	APPROVED	
A	INITIAL RELEASE SEE DO 6770	CP 11-18-08	I.M.	
B	SEE DO 6773	CP 11-21-08	I.M.	
C	SEE DO 6789	CP 12-15-08	I.M.	



WIRING DIAGRAM:



ORDERING NOMENCLATURE :

CA-U709098 - X.XM

LENGTH (DIM 'A') : _____
 .5M = .5 METERS
 1M = 1.0 METERS
 CONSULT FACTORY FOR OTHER LENGTH AVAILABLE.
 TOLERANCE :
 .5M TO 1.0M ± .025M

- 3. CONNECTORS : REFER TO CA DRAWING NO. 610315 & T610135
- ② USE SERIAL ATA COMPLIANT CABLE 26AWG,RED COLOR APPROVED SOURCES :

SPACE SHUTTLE
 DerAn
 OR CA APPROVED EQUIVALENT

1. MEETS THE REQUIREMENTS OF DIRECTIVE 2002/95/EC OF THE EUROPEAN PARLIAMENT AND OF THE COUNCIL OF 27 JANUARY 2003 ON THE RESTRICTION OF THE USE OF CERTAIN HAZARDOUS SUBSTANCES IN ELECTRICAL AND ELECTRONIC EQUIPMENT (RoHS).

NOTES: UNLESS OTHERWISE SPECIFIED

DIMENSIONS ARE IN MILLIMETERS TOLERANCES ARE: DECIMALS .X ±.64 ANGLES 13° XX ±.25 DIMENSIONS IN BRACKETS ARE IN INCHES TOLERANCES ARE: DECIMALS .XX ±.025 ANGLES 13° XXX ±.010 DO NOT SCALE DRAWING	APPROVALS DRAWN CUONG P. CHECKED IAN MORRELL	DATE 11-18-08 11-18-08	CA CIRCUIT ASSEMBLY CORP. 18 THOMAS ST., IRVINE, CALIFORNIA 92618-2777 CABLE ASSEMBLY-ESAS, SATA CA-D07ESAS/07SATAS-X.XM "ROHS COMPLIANT"	SIZE C CODE IDENT NO. 52072	DRAWING NO. U709098	REV. C
	THE INFORMATION AND DESIGN DISCLOSED HEREIN WAS ORIGINATED BY AND IS THE PROPERTY OF CIRCUIT ASSEMBLY CORPORATION. CIRCUIT ASSEMBLY CORPORATION RESERVES ALL PATENT, PROPRIETARY, DESIGN, MANUFACTURING, REPRODUCTION, USE AND SALES RIGHTS THERETO, AND TO ANY ARTICLES DISCLOSED HEREIN EXCEPT TO THE EXTENT RIGHTS ARE EXPRESSLY GRANTED TO OTHERS. THE FOREGOING DOES NOT APPLY TO VENDOR PROPRIETARY RIGHTS.			SCALE: 3:1	SHEET 1 OF 1	