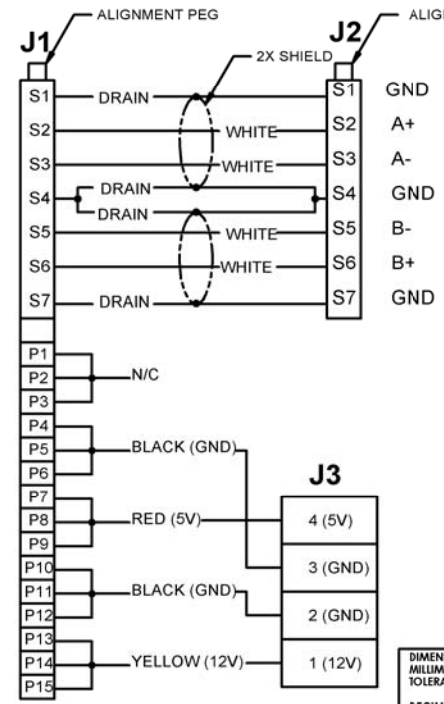
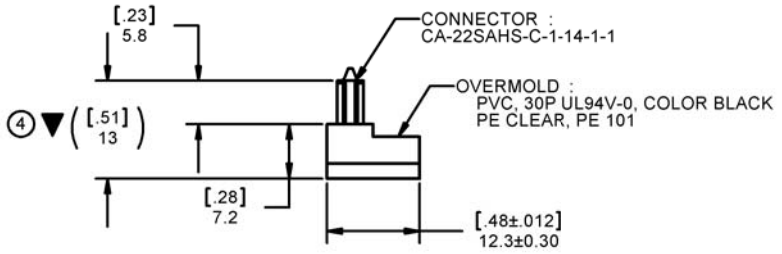
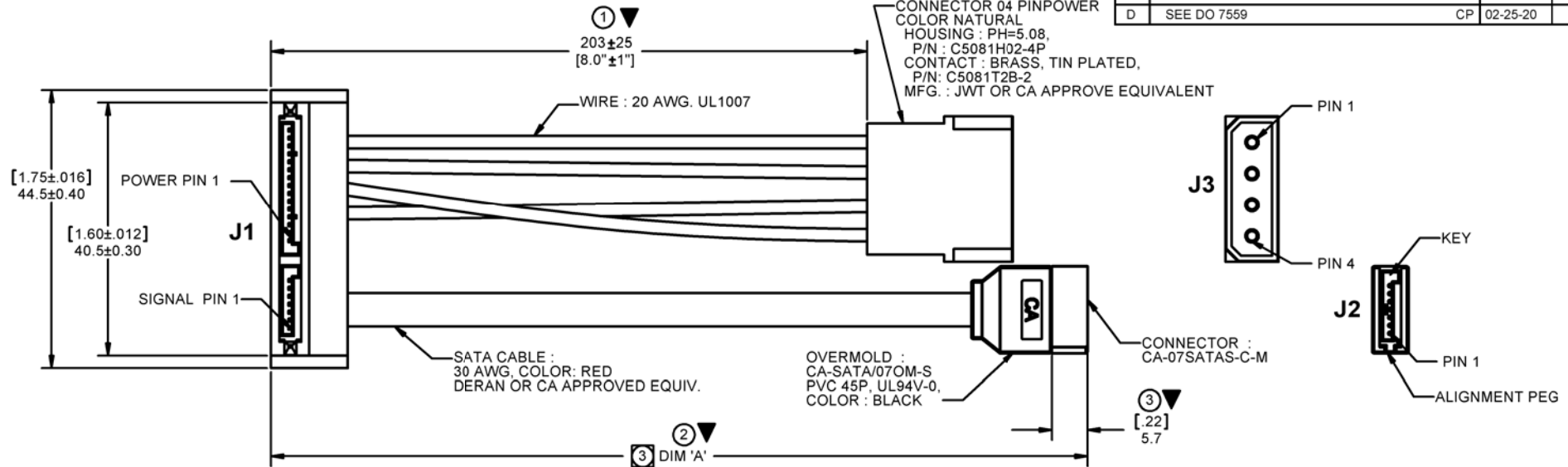


U709091-1 -X.XM SHOWN

REVISIONS				
LTR	DESCRIPTION	DATE	APPROVED	
A	INITIAL RELEASE, SEE DO 6688	CP 07-18-08	A.J.	
B	SEE DO 6722	CP 08-08-08	A.J.	
C	SEE DO 7345	CP 12-02-15	I.M.	
D	SEE DO 7559	CP 02-25-20	T.L.	



ORDERING NOMENCLATURE
CA-U709091-X -X.XM

SERIAL ATA CABLE ASSEMBLY

CONNECTOR 07 PIN SATA OPTION
 1 = STRAIGHT
 2 = RIGHT ANGLE UP (SEE SHT 2 OF 2)
 3 = RIGHT ANGLE DOWN(SEE SHT 2 OF 2)

LENGTH
 ③ DIM 'A' IN METERS
 TOLERANCES : .15M TO .5M ±.025M
 .51M TO 1.0M ±.050M
 1.01M TO 3.0M ±.075M
 3.01M TO 5.0M ±.130M

3. MARK "▼" DIMENSION MUST BE CONTROLLED.
 MARK "⊗" IS DIMENSION NO.
2. ELECTRICAL SPECIFICATIONS :
 - CABLE MUST PASS CONTINUITY TEST.
 - INSULATION RESISTANCE: 20MΩ MIN.
 - CONDUCTOR RESISTANCE : 2Ω MAX.
 - HI-VOLTAGE: 300V DC/0.1 SEC.

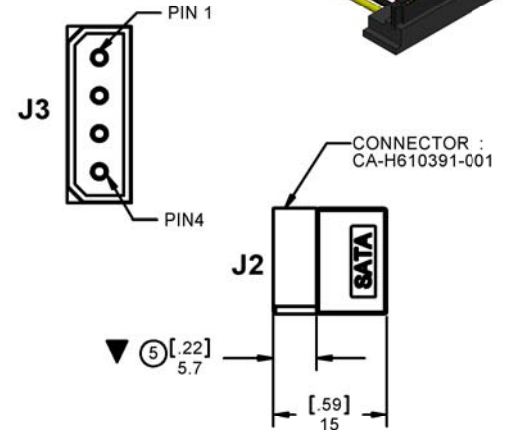
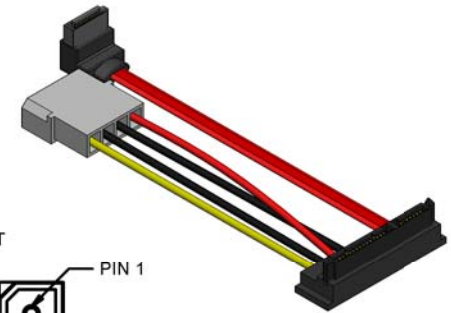
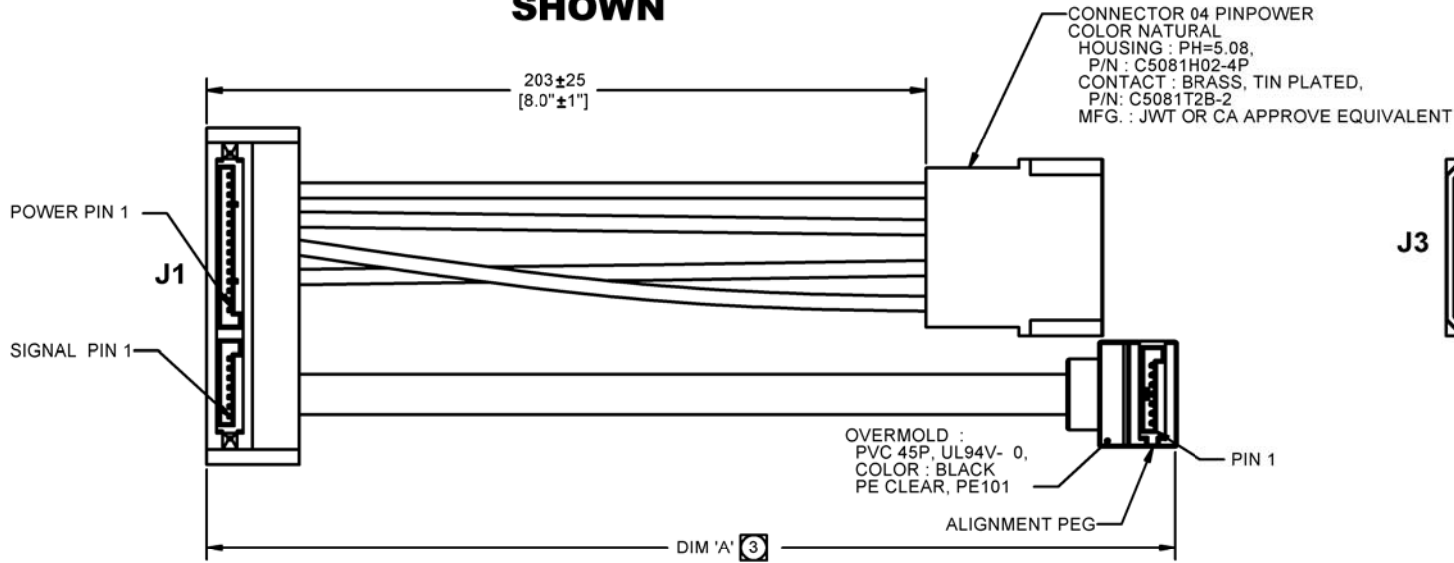
1. MEETS THE REQUIREMENTS OF THE EUROPEAN PARLIAMENT AND THE RESTRICTION OF THE USE OF CERTAIN HAZARDOUS SUBSTANCES IN ELECTRICAL AND ELECTRONIC EQUIPMENT (RoHS).

NOTES : UNLESS OTHERWISE SPECIFIED

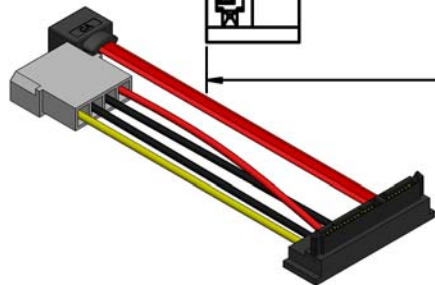
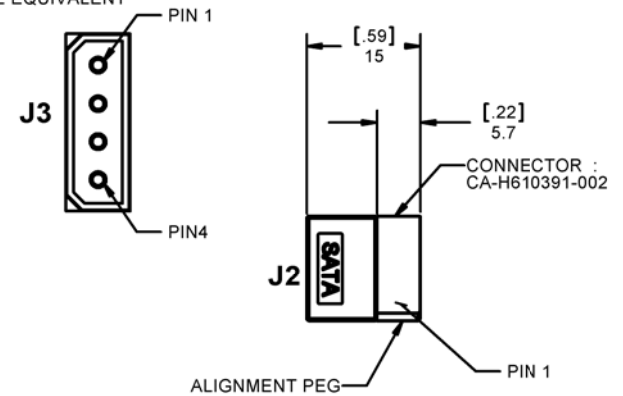
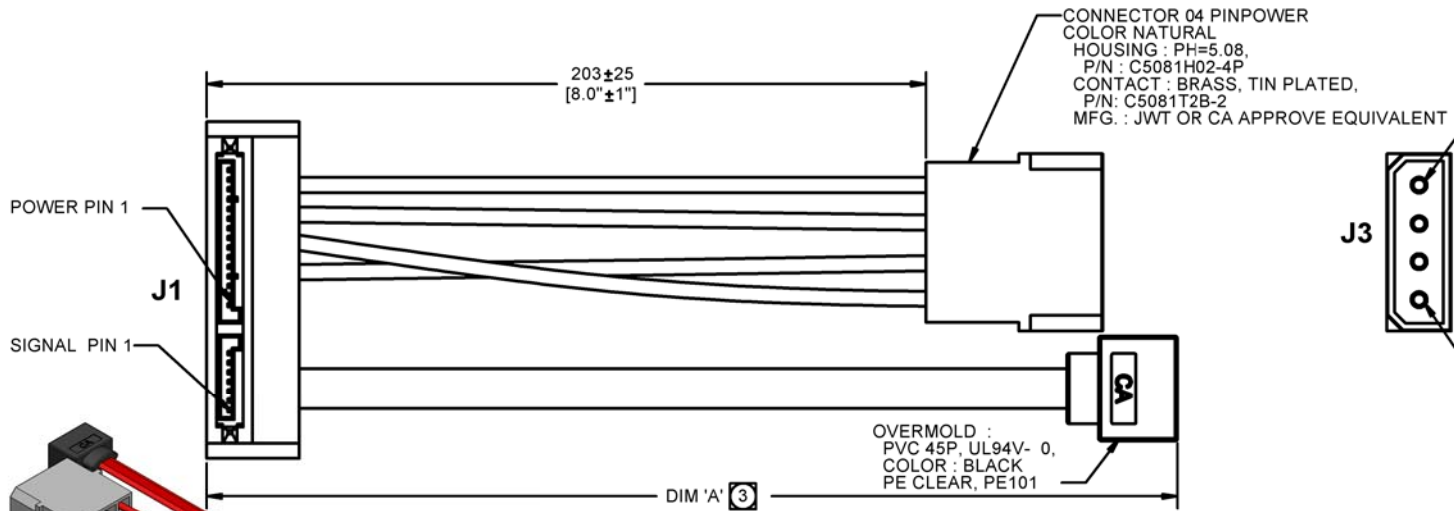
DIMENSIONS ARE IN MILLIMETERS TOLERANCES ARE: X ±.25 .XX ±.13	APPROVALS	DATE	CIRCUIT ASSEMBLY CORP. 3A VANDERBILT, IRVINE, CALIFORNIA 92618-2030
	DRAWN CUONG P	07-18-08	
DIMENSIONS IN BRACKETS [X.XX] ARE IN INCHES TOLERANCES ARE: .XX ±.010 .XXX ±.005	CHECKED ART JOCHEN	07-18-08	CABLE ASSEMBLY - SATA SERIES 22SAHS(KEY IN)/07SATAS/04 PIN-X.XM "RoHS"
	THE INFORMATION AND DESIGN DISCLOSED HEREIN WAS ORIGINATED BY AND IS THE PROPERTY OF CIRCUIT ASSEMBLY CORPORATION. CIRCUIT ASSEMBLY CORPORATION - RESERVES ALL PATENT, PROPRIETARY, DESIGN, MANUFACTURING, REPRODUCTION, USE AND SALES RIGHTS THEREBY, AND TO ANY ARTICLE DISCLOSED HEREIN EXCEPT TO THE EXTENT RIGHTS ARE EXPRESSLY GRANTED TO OTHERS. THE FOREGOING DOES NOT APPLY TO VENDOR PROPRIETARY RIGHTS.		
DO NOT SCALE DRAWING	SIZE C	CODE IDENT NO. 52072	DRAWING NO. U709091
	SCALE: 2:1		REV. D
			SHEET 1 OF 2

REVISIONS			
LTR	DESCRIPTION	DATE	APPROVED
	SEE SHEET 1 OF 2		

CA-U709091-2 -X.XM SHOWN



CA-U709091-3 -X.XM SHOWN



DIMENSIONS ARE IN MILLIMETERS
 TOLERANCES ARE:

DECIMALS	ANGLES
.X ±.25	±3°
.XX ±.13	

DIMENSIONS IN BRACKETS [X.XX] ARE IN INCHES
 TOLERANCES ARE:

DECIMALS	ANGLES
.XX ±.010	±3°
.XXX ±.005	

DO NOT SCALE DRAWING

APPROVALS	DATE
DRAWN CUONG P.	07-18-08
CHECKED ART JOCHEN	07-18-08

THE INFORMATION AND DESIGN DISCLOSED HEREIN WAS ORIGINATED BY AND IS THE PROPERTY OF CIRCUIT ASSEMBLY CORPORATION. CIRCUIT ASSEMBLY CORPORATION RESERVES ALL PATENT, PROPRIETARY, DESIGN, MANUFACTURING, REPRODUCTION, USE AND SALES RIGHTS THEREBY, AND TO ANY ARTICLE DISCLOSED HEREIN EXCEPT TO THE EXTENT RIGHTS ARE EXPRESSLY GRANTED TO OTHERS. THE FOREGOING DOES NOT APPLY TO TENDOR PROPRIETARY RIGHTS.

CIRCUIT ASSEMBLY CORP. 3A VANDERBILT, IRVINE, CALIFORNIA 92618-2030			
CABLE ASSEMBLY - SATA SERIES 22SAHS(KEY IN)/07SATAS/04 PIN-X.XM "RoHS"			
SIZE	CODE IDENT NO.	DRAWING NO.	REV.
C	52072	U709091	D
SCALE: 2:1		SHEET 2 OF 2	