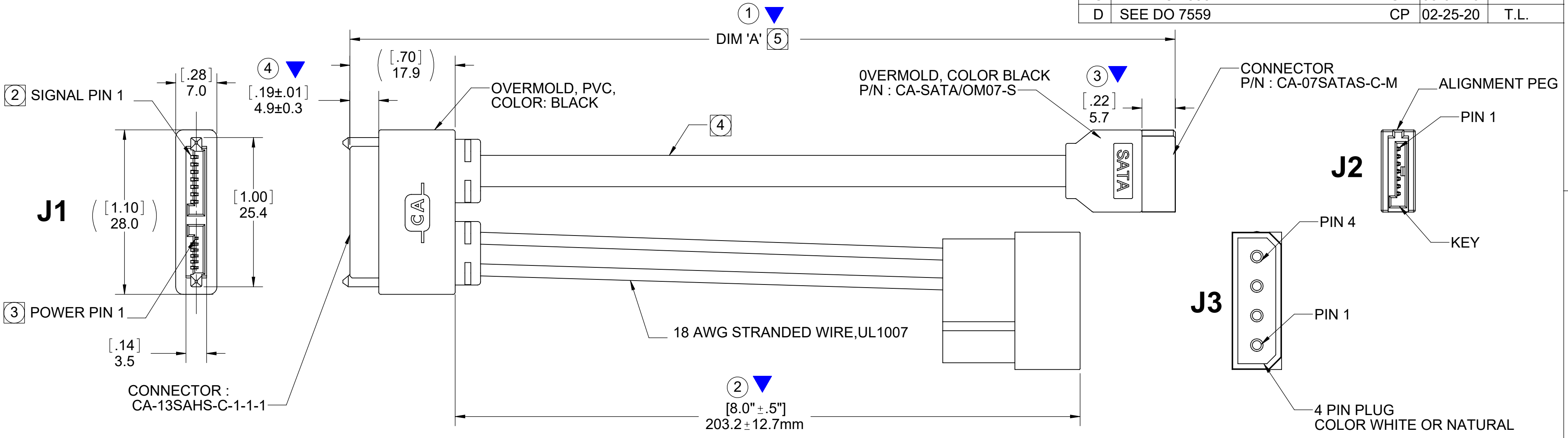


PART NO. CA-U709089-X.XM

REVISIONS				
LTR	DESCRIPTION	DATE	APPROVED	
A	INITIAL RELEASE SEE DO 6681	CP 06-24-08	A.J.	
B	SEE DO 6790	CP 12-15-08	I.M.	
C	SEE DO 7353	CP 03-04-16	I.M.	
D	SEE DO 7559	CP 02-25-20	T.L.	

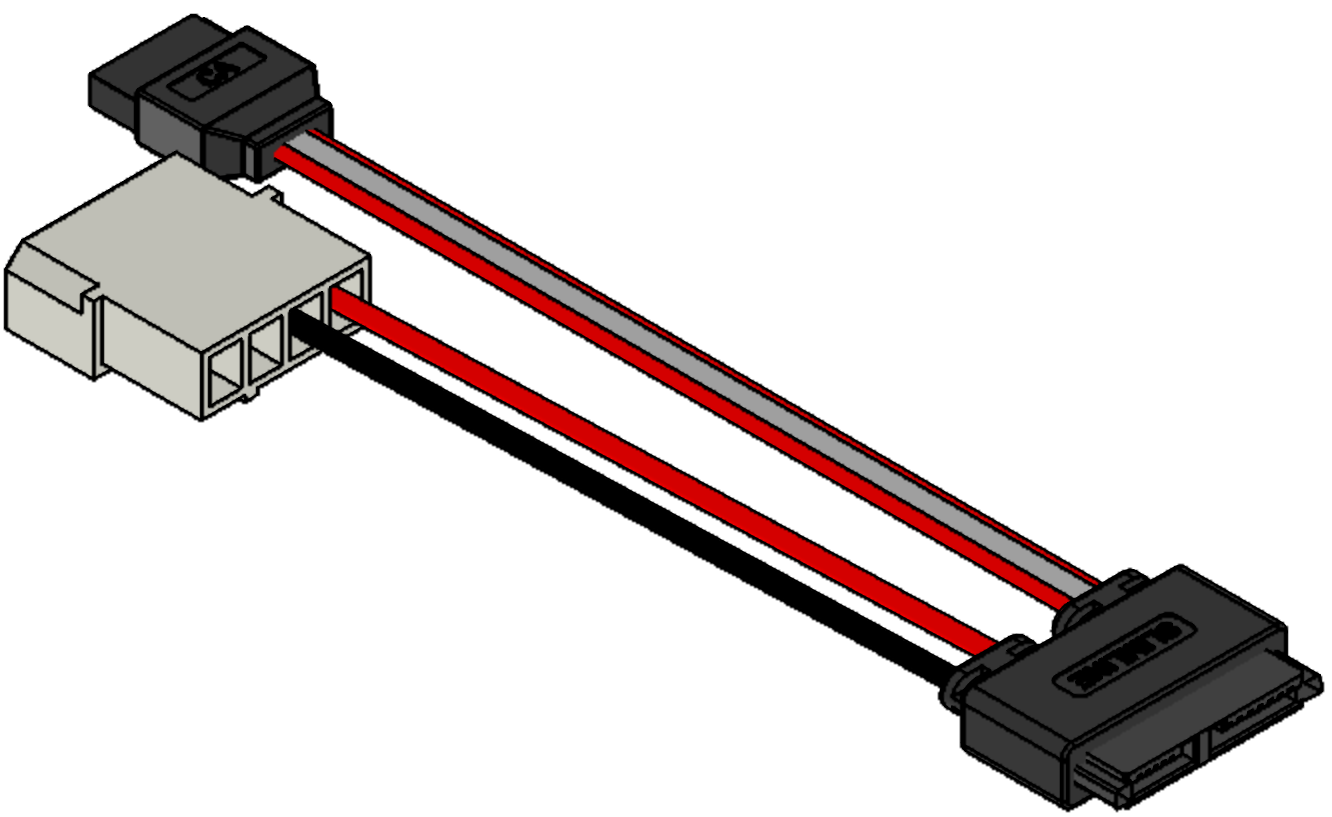


ORDERING NOMENCLATURE :

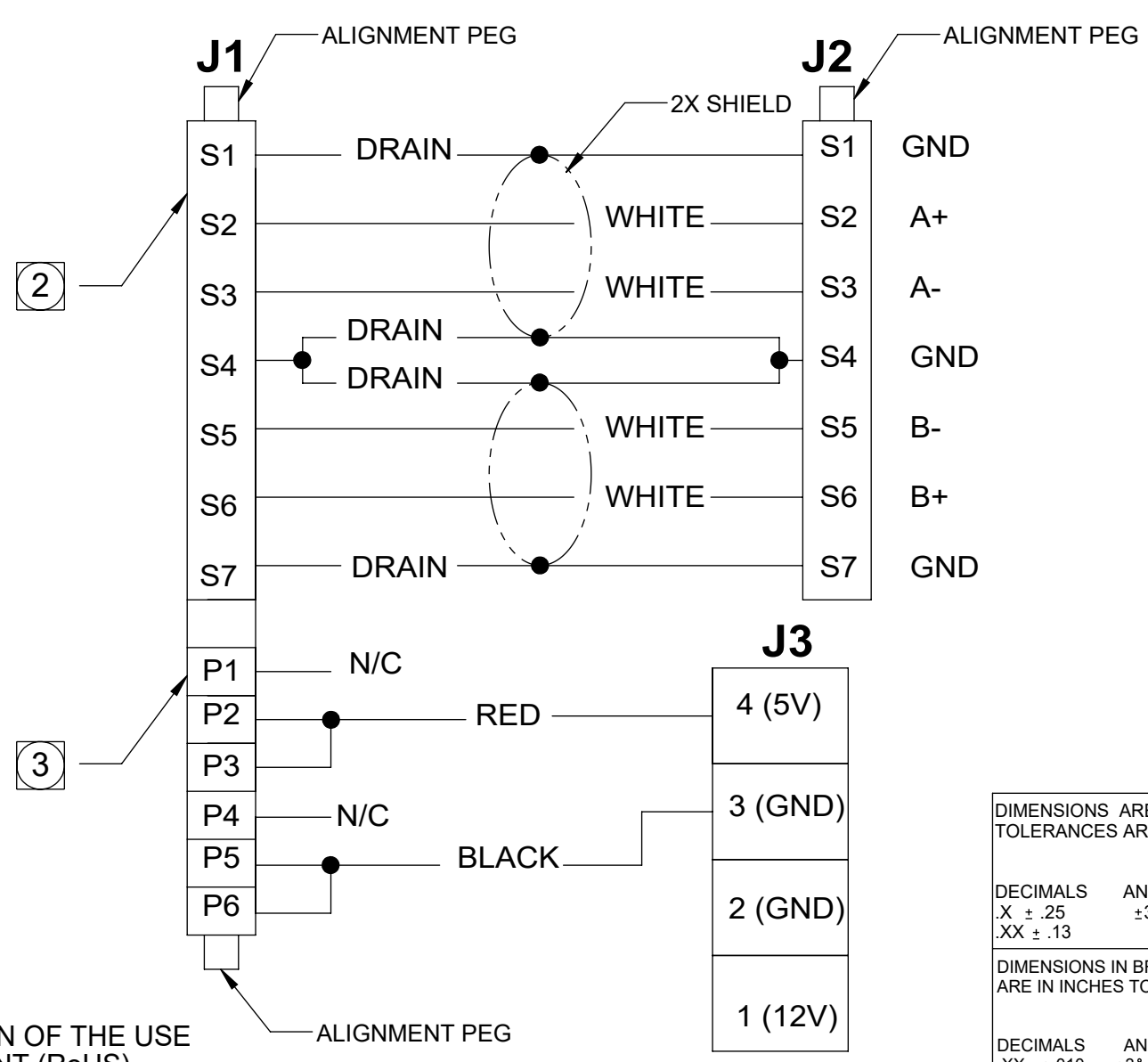
# CA-U709089 - X.XM

**5** LENGTH : \_\_\_\_\_  
 (DIM 'A' IN METERS)  
 0.5M = 0.5M ± .025M  
 1.0M = 1.0M ± .05M

**CONSULT FACTORY FOR OTHER LENGTHS**



### 2 3 WIRING DIAGRAM :



5. MARK "▼" DIMENSION MUST BE CONTROLLED.

MARK "ⓧ" IS DIMENSION NO.

4 USE SERIAL ATA COMPLIANT CABLE, COLOR: RED, 26 AWG, APPROVED SOURCES :

- SPACE SHUTTLE
- DerAn
- OR CA APPROVED EQUIVALENT

3 REFER TO POWER WIRING DIAGRAM.

2 REFER TO SIGNAL WIRING DIAGRAM.

1. MEETS THE REQUIREMENTS OF THE EUROPEAN PARLIAMENT AND THE RESTRICTION OF THE USE OF CERTAIN HAZARDOUS SUBSTANCES IN ELECTRICAL AND ELECTRONIC EQUIPMENT (RoHS).

NOTES : UNLESS OTHERWISE SPECIFIED

DIMENSIONS ARE IN MILLIMETER  
TOLERANCES ARE:

DECIMALS	ANGLES
X ± .25	± 3°
XX ± .13	

DIMENSIONS IN BRACKET [X.XX]  
ARE IN INCHES TOLERANCES ARE:

DECIMALS	ANGLES
XX ± .010	± 3°
XXX ± .005	

**DO NOT SCALE DRAWING**

APPROVALS	DATE
DRAWN CUONG P.	06-24-08
CHECKED A.JOCHEN	06-24-08

**CA CIRCUIT ASSEMBLY CORP.**  
 3A VANDERBILT, IRVINE, CALIFORNIA 92618-2030

**CABLE ASSEMBLY - SATA SERIES**  
**CA-T13SAHS/07SATA/04PIN-XX.X**  
**"RoHS"**

SIZE	CODE IDENT NO.	DRAWING NO.	REV.
C	52072	<b>U709089</b>	<b>D</b>

SCALE: 2:1 SHEET 1 OF 1