

4

3

2

1

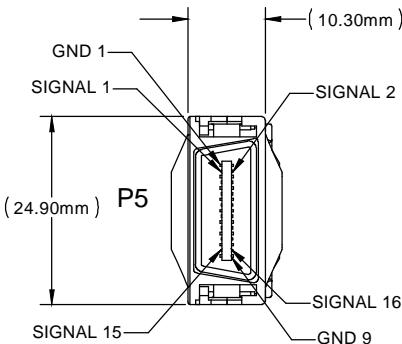
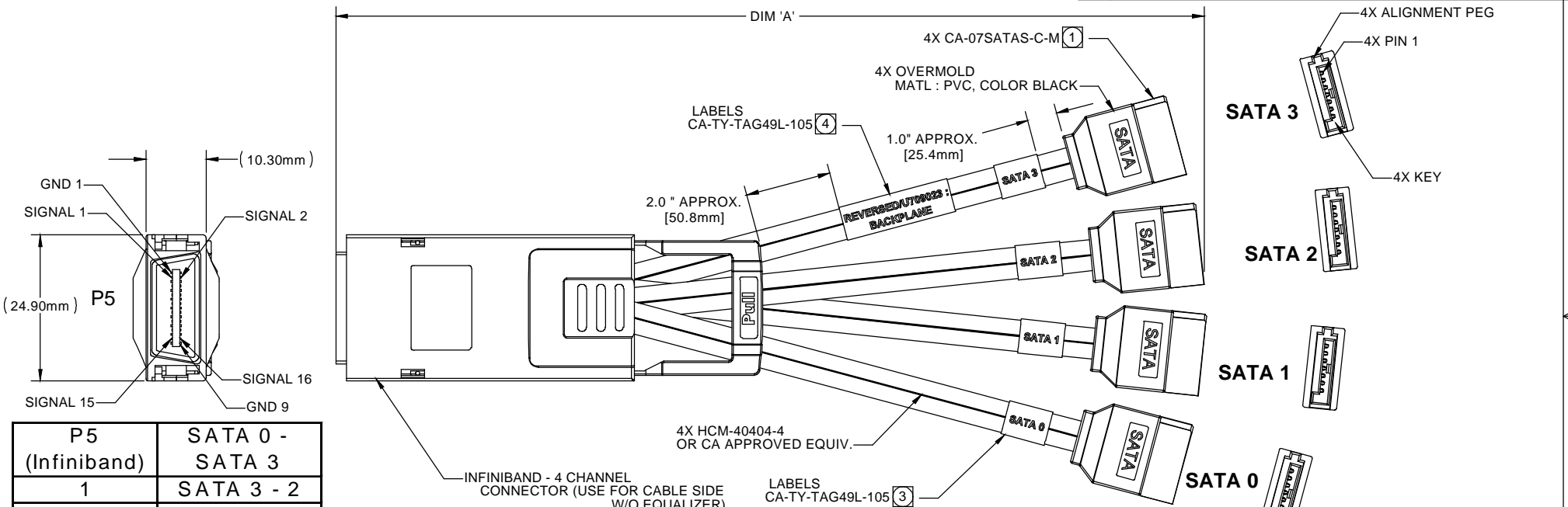
PART NO.	CA-U709023-XX-XX
----------	------------------

LTR	DESCRIPTION	DATE	APPROVED
P	SEE DO 6529	C.P. 09-18-07	I.M.

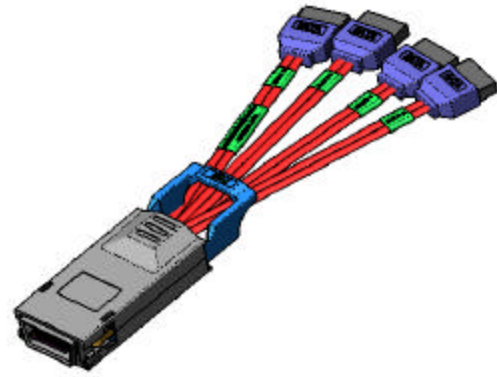
REVISIONS				
LTR	DESCRIPTION	DATE	APPROVED	
A	INITIAL RELEASE SEE DO 5321	C.P. 11-13-03	A.J.	
B	SEE DO 5368	C.P. 01-13-04	A.J.	
C	SEE DO 5388	C.P. 02-13-04	I.M.	
D	SEE DO 5415	C.P. 03-05-04	A.J.	
E	SEE DO 5425	C.P. 03-17-04	A.J.	
F	SEE DO 5436	C.P. 04-07-04	A.J.	
G	SEE DO 5462	C.P. 04-29-04	A.J.	
H	SEE DO 5480	C.P. 05-18-04	A.J.	
J	SEE DO 5512	C.P. 06-14-04	I.M.	
K	SEE DO 5644	C.P. 11-05-04	L.F.	
L	SEE DO 5666	C.P. 12-10-04	I.M.	
M	SEE DO 5703	C.P. 04-05-05	L.F.	
N	SEE DO 6195	C.P. 09-08-06	I.M.	

ORDERING NOMENCLATURE :  
**CA - U709023-XX.XX**

DIM 'A'  
 IN INCHES  
 TOLERANCE : ±1"[25.4mm]  
 FOR CABLE LENGTH UP 30"[.76M]



P5 (Infiniband)	SATA 0 - SATA 3
1	SATA 3 - 2
2	SATA 3 - 3
3	SATA 2 - 2
4	SATA 2 - 3
5	SATA 1 - 2
6	SATA 1 - 3
7	SATA 0 - 2
8	SATA 0 - 3
9	SATA 0 - 5
10	SATA 0 - 6
11	SATA 1 - 5
12	SATA 1 - 6
13	SATA 2 - 5
14	SATA 2 - 6
15	SATA 3 - 5
16	SATA 3 - 6



INFINIBAND - 4 CHANNEL CONNECTOR (USE FOR CABLE SIDE W/O EQUALIZER)  
 P/N : HIB-A16SMSG SHELL (USE CABLE 24 AWG)  
 P/N : HIB-A16SPMA  
 MFR : HONDA TSUSHIN KOGYO CO., LTD. OR CA APPROVED EQUIVALENT.

4X HCM-4040-4 OR CA APPROVED EQUIV.

5. MEETS THE REQUIREMENTS OF DIRECTIVE 2002/95/EC OF THE EUROPEAN PARLIAMENT AND OF THE COUNCIL OF 27 JANUARY 2003 ON THE RESTRICTION OF THE USE OF CERTAIN HAZARDOUS SUBSTANCES IN ELECTRICAL AND ELECTRONIC EQUIPMENT. (ROHS)

4. APPLY WRAP LABEL .10 APPROX HIGH CHARACTER, BLACK COLOR AS FOLLOWS :

REVERSED/U709023 : BACKPLANE

3. APPLY WRAP LABEL WITH CONNECTOR I.D. AS SHOWN.

2. SEE SHEET 2 OF 2 FOR WIRING DIAGRAM

1. REFER TO CA DWG. NO. T610110 FOR CONNECTOR ASSEMBLY

NOTES : UNLESS OTHERWISE SPECIFIED

DIMENSIONS ARE IN INCHES TOLERANCES ARE:	<b>APPROVALS</b>	<b>DATE</b>
DECIMALS .XX ± ANGLES .XXX ±	DRAWN CUONG P.	11-12-03
DIMENSIONS IN BRACKETS TOLERANCES ARE:	CHECKED A. JOCHEN	11-12-03
DECIMALS .X ± ANGLES .XXX ±	THE INFORMATION AND DESIGN DISCLOSED HEREIN WAS ORIGINATED BY AND IS THE PROPERTY OF CIRCUIT ASSEMBLY CORPORATION. CIRCUIT ASSEMBLY CORPORATION RESERVES ALL PATENT, PROPRIETARY, DESIGN, MANUFACTURING, REPRODUCTION, USE AND SALES RIGHTS THERE TO, AND TO ANY ARTICLES DISCLOSED HEREIN EXCEPT TO THE EXTENT RIGHTS ARE EXPRESSLY GRANTED TO OTHERS. THE FOREGOING DOES NOT APPLY TO VENDOR PROPRIETARY RIGHTS.	
DO NOT SCALE DRAWING	SCALE: 2:1	SHEET 1 OF 2

<b>CA</b> CIRCUIT ASSEMBLY CORP. 18 THOMAS ST., IRVINE, CALIFORNIA 92618-2777			
CABLE ASSEMBLY - SATA SERIES SATA TO INFINIBAND 4X, REVERSE BREAKOUT CABLE "ROHS COMPLIANT"			
SIZE	CODE IDENT NO.	DRAWING NO.	REV.
C	52072	U709023	P

REVISIONS			
LTR	DESCRIPTION	DATE	APPROVED
	SEE SHEET 1 OF 2		

**2 WIRING DIAGRAM :**

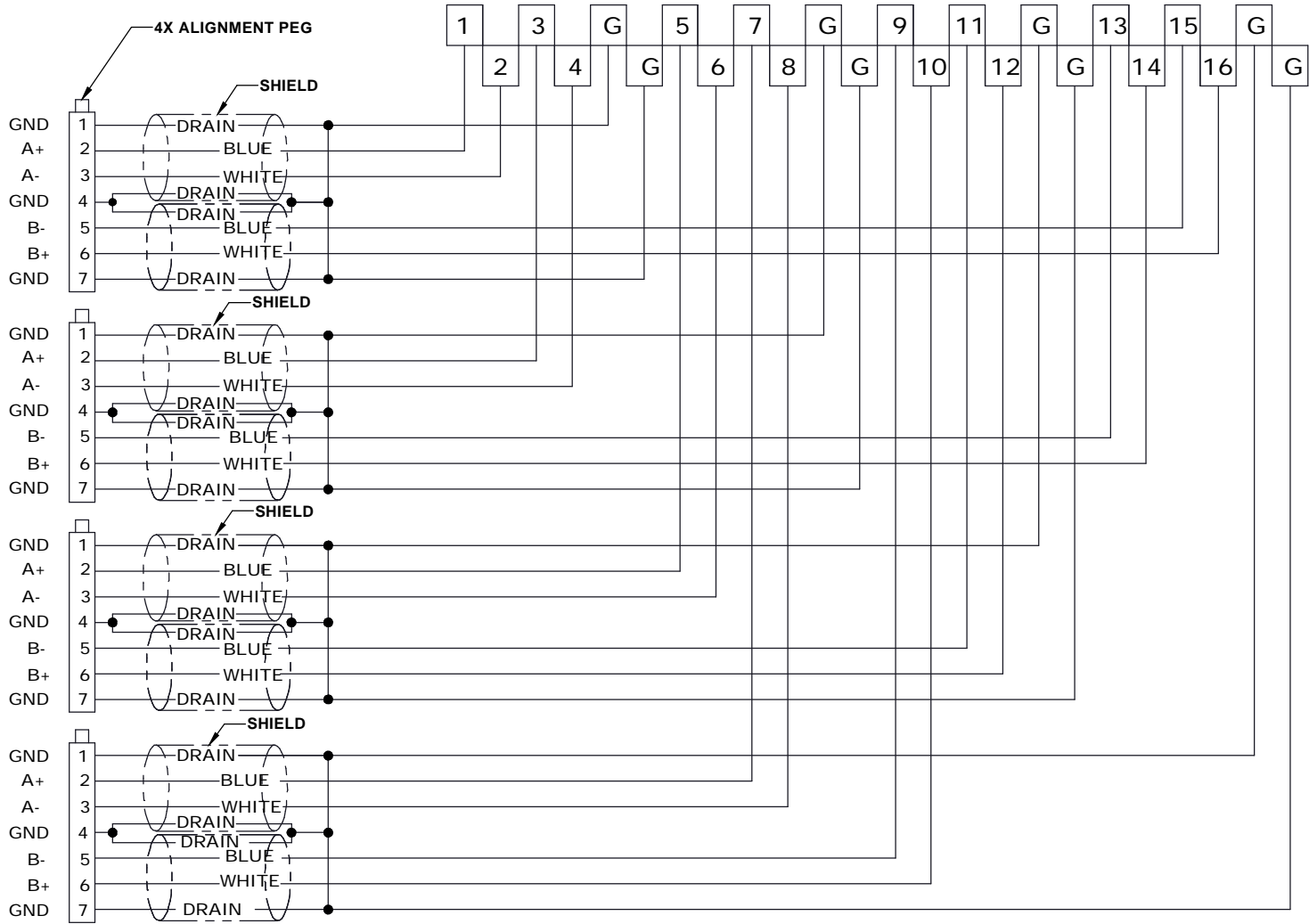
**P5 (PCB PAD NUMBER)**

**SATA 3**

**SATA 2**

**SATA 1**

**SATA 0**



DIMENSIONS ARE IN INCHES TOLERANCES ARE: DECIMALS ANGLES .XX .XXX DIMENSIONS IN BRACKETS [X.XX] ARE IN MILLIMETERS TOLERANCES ARE: DECIMALS ANGLES .X .XX DO NOT SCALE DRAWING	<b>APPROVALS</b> DRAWN CUONG P. CHECKED A. JOCHEN	<b>DATE</b> 11-12-03 11-12-03	<b>CA</b> <b>CIRCUIT ASSEMBLY CORP.</b> 18 THOMAS ST., IRVINE, CALIFORNIA 92618-2777 <b>CABLE ASSEMBLY - SATA SERIES</b> <b>SATA TO INFINIBAND 4X, REVERSE BREAKOUT CABLE</b> <b>"ROHS COMPLIANT"</b>	SIZE <b>C</b>	CODE IDENT NO. 52072	DRAWING NO. <b>U709023</b>	REV. <b>P</b>
	SCALE: 2 : 1	SHEET 2 OF 2					