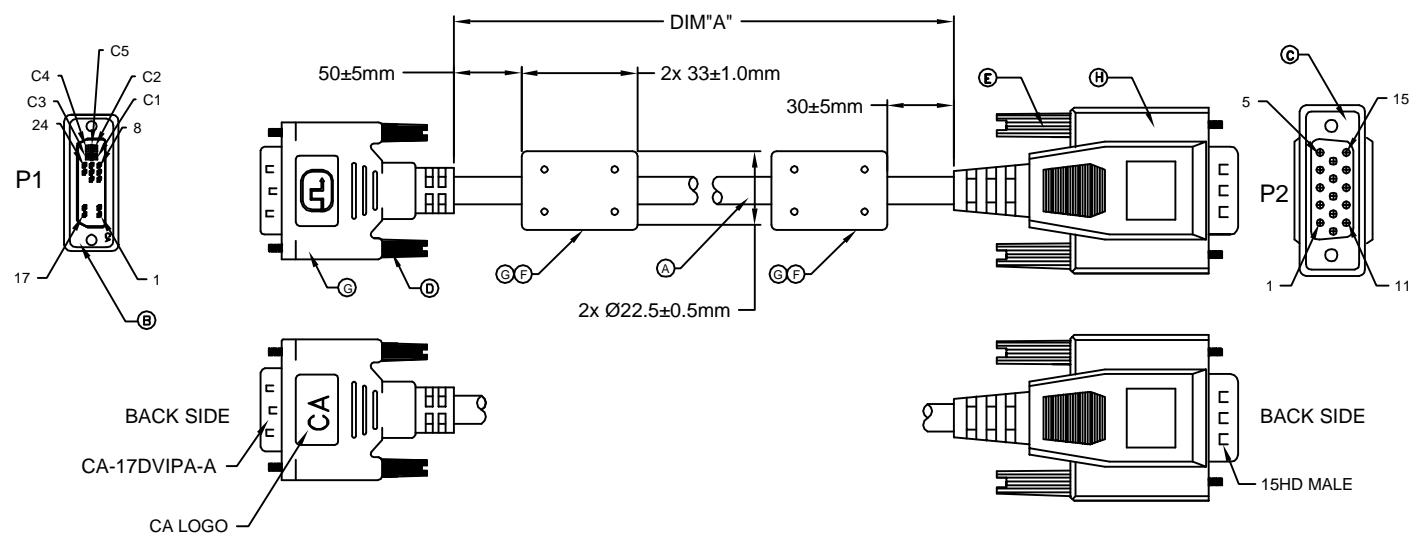


PART NO. CA-U702006-02.0

REVISIONS				
LTR	DESCRIPTION	DATE	APPROVED	
A	INITIAL RELEASE SEE DO 4004	JL 6-26-00	A.J.	
B	SEE DO 4112	CW 8-03-00	A.J.	
C	SEE DO 4698	CP 11-29-01	A.J.	
D	SEE DO 5642	CP 11-04-04	A.J.	
E	SEE DO 5668	CP 12-16-04	L.F.	
F	SEE DO 5693	CP 02-02-05	L.F.	
G	SEE DO 5803	CP 06-21-05	L.F.	
H	SEE DO 6171	CP 08-10-06	I.M.	

### ANALOG DVI MALE TO VGA MALE



2. MEETS THE REQUIREMENTS OF DIRECTIVE 2002/95/EC OF THE EUROPEAN PARLIAMENT AND OF THE COUNCIL OF 27 JANUARY 2003 ON THE RESTRICTION OF THE USE OF CERTAIN HAZARDOUS SUBSTANCES IN ELECTRICAL AND ELECTRONIC EQUIPMENT. (ROHS)

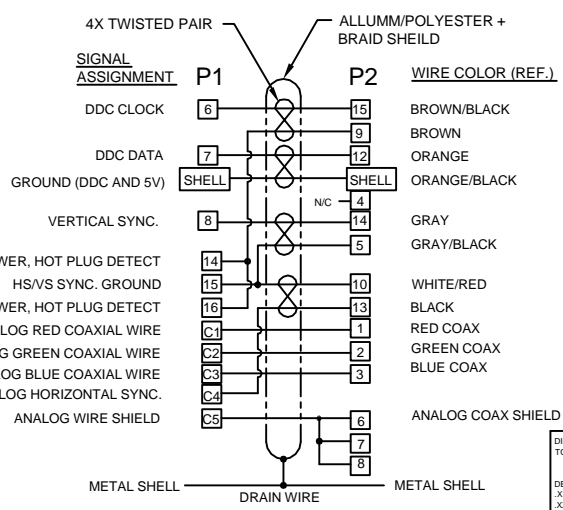
1 CONSULT FACTORY FOR ADDITIONAL COLORS, CABLE LENGTHS AND CONSTRUCTION OPTIONS.

NOTES : UNLESS OTHERWISE SPECIFIED

#### LIST OF MATERIALS :

ITEM	DESCRIPTION	QTY
H	BOOT PVC 45P, COLOR BLUE	1
G	BOOT PVC 45P, COLOR WHITE	A/R
F	CORE (OD)17.5*(L)28.5*(ID)9.5mm	2
E	THUMBSCREW Ø4.0*32.0mm #4-40UNC ABS COLOR: BLUE	2
D	THUMBSCREW Ø2.8*32.0mm #4-40UNC ABS COLOR: WHITE	2
C	15HD MALE PIN G/F	1
B	DVI(12+5) MALE CONNECTOR G/F(CA-17DVIPA-A)	1
A	UL20276 [30AWG*1C+SP+PVC]*3PCS+28AWG*4P]+AB O.D=7.5mm JACKET COLOR: WHITE	1

#### WIRING DIAGRAM:



#### ORDERING NOMENCLATURE : U702006-02.0

DIM 'A' (IN METERS) 1  
02.0 = STANDARD

TOLERANCE TABLE:

CABLE LENGTH	TOLERANCE (IN METERS)
.1M - .9M	±.013M
1M - 2.9M	±.025M
3M OR GREATER	±.05M

DIMENSIONS IN MM  
TOLERANCES ARE:

DECIMALS ANGLES  
.X ±.25 °3°  
.XX ±.13

DIMENSIONS IN BRACKETS  
[XX] ARE INCHES  
TOLERANCES ARE:

DECIMALS ANGLES  
.XX ±.010 °3°  
.XXX ±.005

DO NOT SCALE DRAWING

APPROVALS	DATE
DRAWN J. LANG	6-26-00
CHECKED A. JOCHEN	6-26-00

**CIRCUIT ASSEMBLY CORP.**  
18 THOMAS ST., IRVINE, CALIFORNIA 92618-2177

CABLE ASSEMBLY  
ANALOG DVI MALE TO VGA MALE  
CA-17DVIPA-A/15HD MALE-"ROHS COMPLIANT"

SIZE	CODE IDENT NO.	DRAWING NO.	REV.
C	52072	U702006	H

SCALE: 1:1 SHEET 1 OF 1