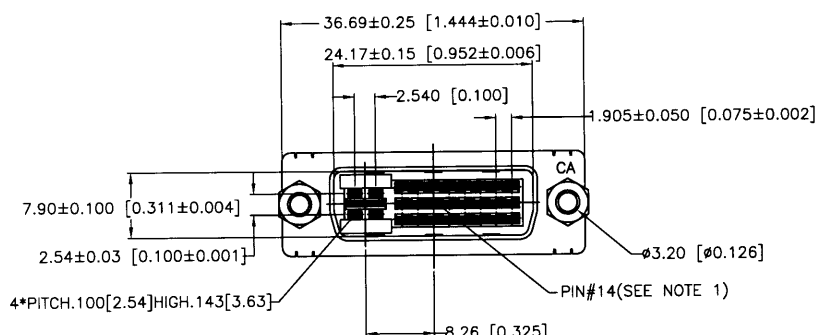


P/N 29DVIPI-X-X-X-A-1

REV.	DESCRIPTION	D.O.	APPD.
A	NEW	N/A	Robbie



29DVIPI-X-X-X-A-1

NUMBER OF POSITIONS
 PIN:1.2.3.6.7.8.9.10.11.14.
 15.16.17.18.19.22.23.24.
 C1,C2,C3,C4C5

DIGITAL VISUAL INTERFACE

PLUG

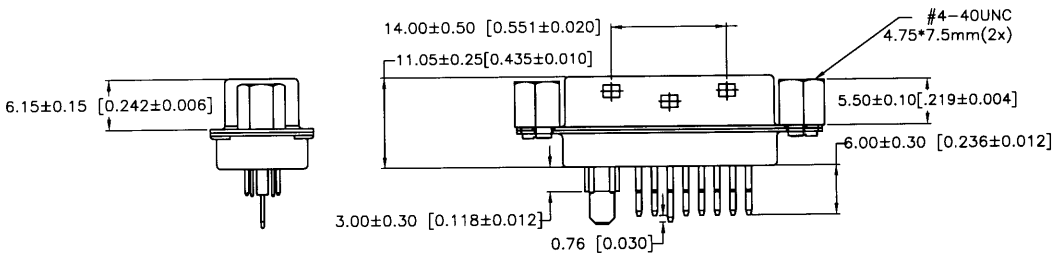
SERIES NUMBER
 I=INTEGRATED DIGITAL/ANALOG

PLATING
 A=3U" GOLD CONTACT AREA.TIN TERMINATION AREA
 C=15U" GOLD CONTACT AREA.TIN TERMLNATION AREA
 F=30U" GOLD CONTACT AREA. TIN TERMLNATION AREA

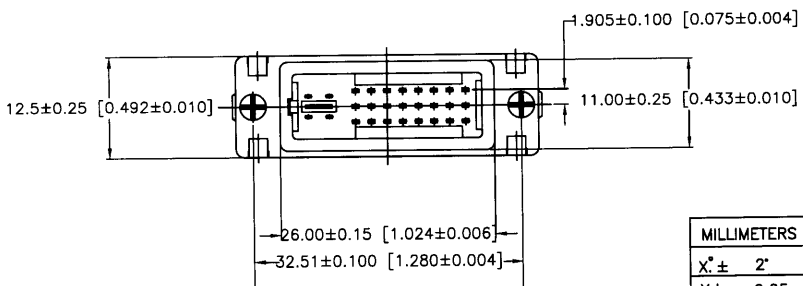
HOUSING COLOR
 B=BLACK
 W=WHITE

SHELL PLATING
 0=SPECIAL TIN PLATING
 1=GOLD FLASH
 2=NICKEL

OPTIONS(LOGO MARKING)
 A=CA
 ADDITION NUMBER
 1=#4-40 UNC 4.75*7.50



- NOTES:
- CONTACT HEIGHT FOR PIN#14 IS .185[4.70]
 BALANCE OF CONTACTS .215[5.46]
 - FOR SPECIFICATION AND PERFORMANCE CHARACTERISTICS SEE CA DWG 100252
 - ENVIRONMENTAL: TEMPERATURE RANGE -20°C TO +85°C
 - ELECTRICAL:
 RATED: 1.5A @ 40V AC (ms)
 CONTACT RESISTANCE: 20 MILLIOHMS MAXIMUM
 INSULATION RESISTANCE: 1000 MEGOHMS MINIMUM
 DIELECTRIC WITHSTANDING VOLTAGE: 500V AC (ms)
 - MECHANICAL:
 MATING FORCE: 10 LB.(4.5Kg) MAXIMUM
 UNMATING FORCE: 2.2LB.(1Kg) MINIMUM,8.8LB.(4Kg)MAXIMUM
 - MATERIAL:
 HOUSING: GLASS FILLED THERMOPLASTIC, 94V-0
 CONTACT: BRASS
 SHELL : STEEL
 - REFERENCE MANUFACTURING DRAWING NO.H620020



MILLIMETERS	INCH	UNITS	MM
X. ^o ± 2'	X. ^o ± 2'	MAT'L	
.X ± 0.25	.X ± 0.010	FINISH	
.XX ± 0.13	.XX ± 0.005		
.XXX ± ----	.XXX ± ----		
Q'TY		CHKD:Eric Yan 09/16/04'	
		DR: Joken He 09/16/04'	

NAME(INTENDED USE)	DVI
PART NO.(INTENDED USE)	29DVIPI-X-X-X-A-1
APPD:	Robbie Lo 09/16/04'
CHKD:	Eric Yan 09/16/04'
DR:	Joken He 09/16/04'

CA CIRCUIT ASSEMBLY CORP
 CA INDUSTRIAL BUILDING, AOXING ROAD,
 AOBEI SECOND VILLAGE, HENGANG TOWN,
 SHENZHEN CITY, GUANGDONG, P.R.CHINA.

TITLE: Male DVI Connector Integrated 29 Position

DWG NO.: H820005

SCALE	SHEET	REV.
1/1	1/1	A

THESE DRAWINGS AND SPECIFICATIONS ARE THE PROPERTY OF CIRCUIT ASSEMBLY SHEN ZHEN AND SHALL NOT BE REPRODUCED, COPIED OR USED IN ANY MANNER WITHOUT THE PRIOR WRITTEN CONSENT OF CIRCUIT ASSEMBLY SHEN ZHEN