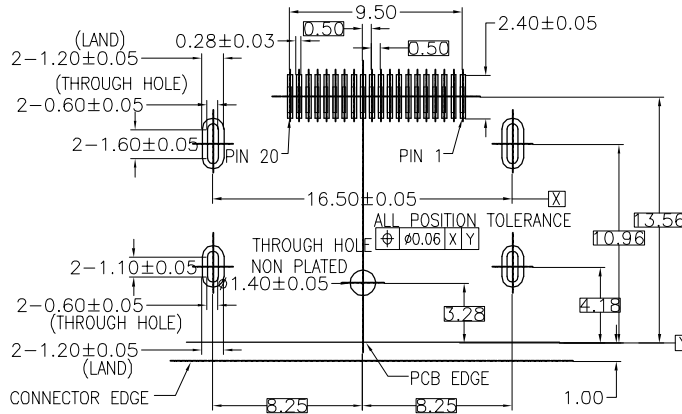
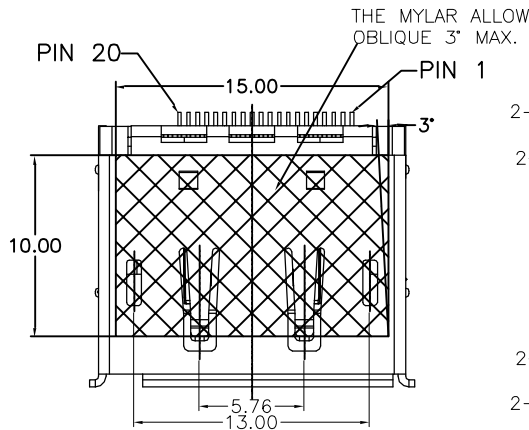
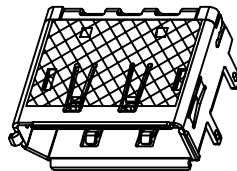
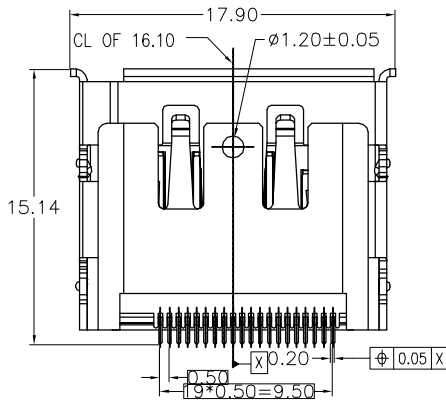
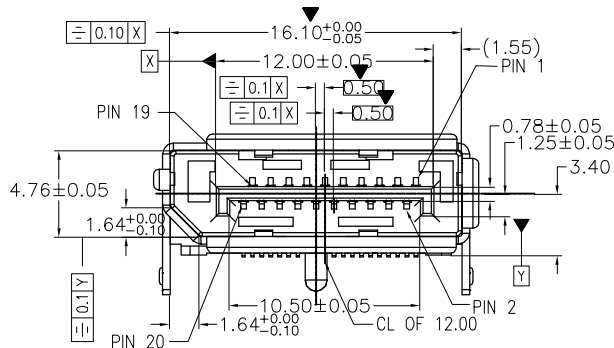
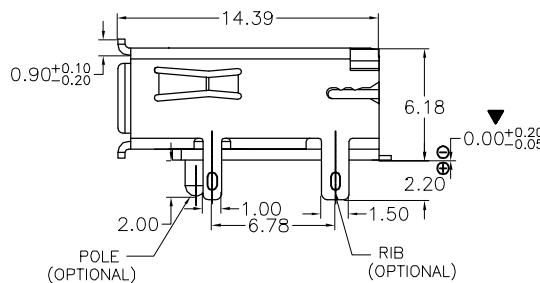


P/N CA-20DPS-X-X-1-2-X

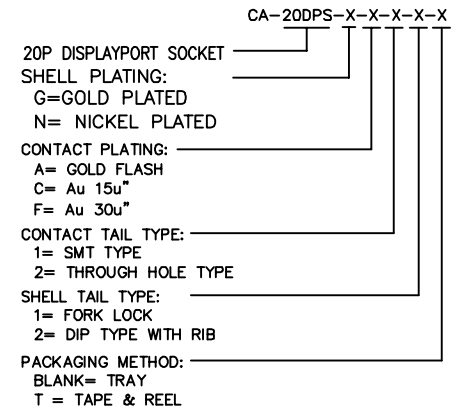


RECOMMENDED PCB LAYOUT (THICKNESS=1.6±0.15mm)



REV.	DESCRIPTION	DATE	APPD.
A	NEW RELEASE(H.F SEE DO.H3823)	01/26/10'	Ray
B	CHANGE THE CO PLANARITY(H.F SEE DO.H4503)	02/19/11'	Ray
C	CORRECT SPELLING(H.F SEE DO.H4507)	02/22/11'	Ray
D	ADD MYLAR(H.F SEE DO.H4617)	05/26/11'	Ray
E	CHANGE MYLAR DIMENSION(H.F SEE DO.H4630)	06/03/11'	Ray
F	ADD PACKAGE METHOD IN NOTE(H.F SEE DO.H5025)	02/10/12'	Ray
G	CHANGE P/N (H.F SEE DO.H5086)	03/14/12'	Ray


ORDERING NOMENCLATURE :



NOTES:

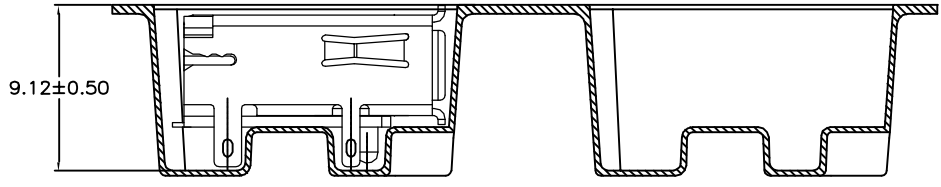
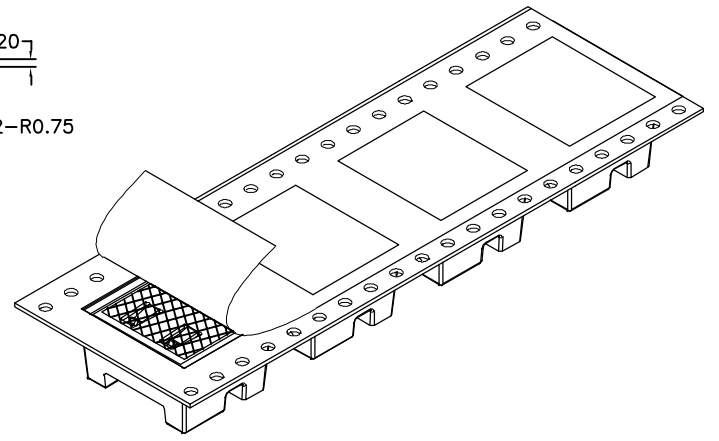
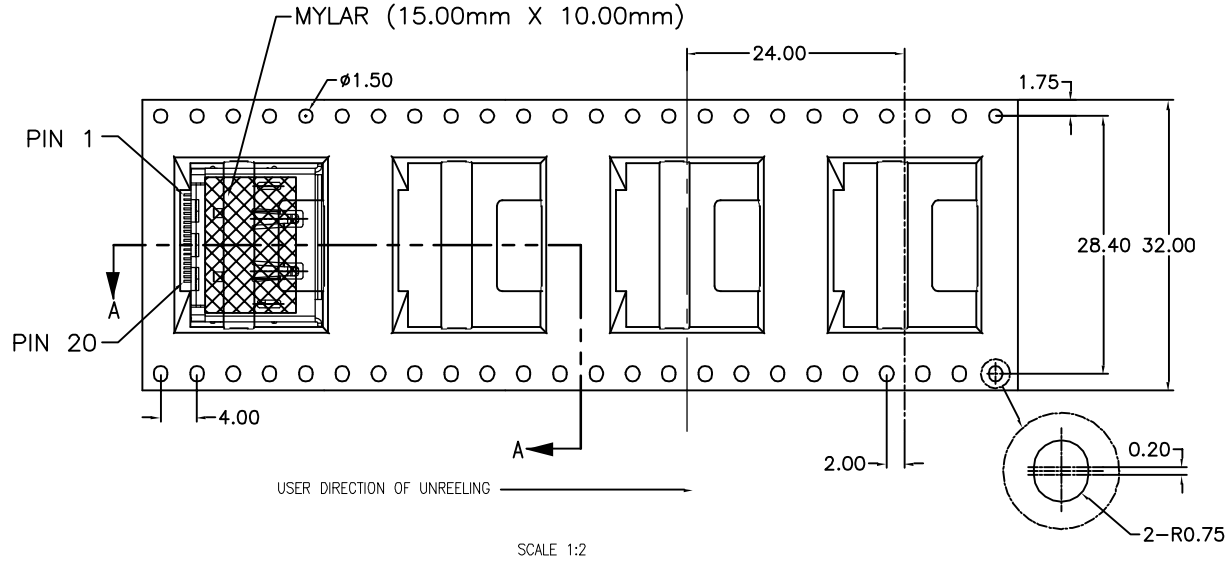
1.MATERIAL :
HOUSING : HIGH TEMPERATURE THERMOPLASTIC
UL94V-0, COLOR : BLACK
TERMINAL: COPPER ALLOY

2.TERMINAL PLATING :
CONTACT AREA : AU PLATED AT CONTACT AREA
SOLDER TAIL : GOLD FLASH,
UNDER PLATE : 50 u" MINIMUM NICKEL (Ni),
4.MARK ▼ DIMENSION MUST CONTROL
5.ALL DIMENSION MEASURE BY FAI
6.MEETS THE REQUIREMENTS OF DIRECTIVE 2002/95/EC OF THE EUROPEAN PARLIAMENT AND OF THE COUNCIL OF 27 JANUARY 2003 ON THE RESTRICTION OF THE USE OF CERTAIN HAZARDOUS SUBSTANCES IN ELECTRICAL AND ELECTRONIC EQUIPMENT(ROHS)
RECOMMENDED PCB THICKNESS, SEE ORDERING NOMENCLATURE.
7. PACKAGING METHOD: TAPE & REEL.

MILLIMETERS	INCH	UNITS	MM	NAME(INTENDED USE)	 CIRCUIT ASSEMBLY SHENZHEN CA INDUSTRIAL BUILDING, AOXING ROAD, AOXI SECOND VILLAGE, HENGDANG TOWN, SHENZHEN CITY, GUANGDONG PROVINCE, CHINA.
X' ± 2'	X' ± 2'	MAT'L		DISPLAY PORT	
.XX ± 0.20	.XX ± .008	SEE NOTES		PART NO.(INTENDED USE)	TITLE: 20P DISPLAY PORT SOCKET SMT TYPE(DIP SHELL TAIL WITH RIB)
.XX ± 0.15	.XX ± .006	FINISH		CA-20DPS-X-X-1-2-X	APPD: Ray 01/26/10'
.XXX ± 0.10	.XXX ± 0.004	SEE NOTES			DRG NO.:
THESE DRAWINGS AND SPECIFICATIONS ARE THE PROPERTY OF CIRCUIT ASSEMBLY SHEN ZHEN AND SHALL NOT BE REPRODUCED, COPIED OR USED IN ANY MANNER WITHOUT THE PRIOR WRITTEN CONSENT OF CIRCUIT ASSEMBLY SHEN ZHEN				Q'TY	CHKD: Ray 01/26/10'
				DR: Hifong 01/26/10'	HB10426 SCALE SHEET REV. 2/1 1/2 G

REV.	DESCRIPTION	DATE	APPD.
	SEE PAGE 1 OF 2		

**TAPE & REEL FOR CONNECTOR(CA-20DPS-X-X-1-2-T)
WITHOUT FLANGE (WITH MYLAR: 15.00mm X 10.00mm)**



SECTION A-A

MILLIMETERS		INCH		UNITS	MM	NAME(INTENDED USE)	CIRCUIT ASSEMBLY SHENZHEN <small>CA INDUSTRIAL BUILDING, AOXING ROAD, AIBEI SECOND VILLAGE, HENGQING TOWN, SHENZHEN CITY, GUANGDONG PROVINCE, CHINA.</small>						
X° ±	2'	X° ±	2'	MAT'L		DISPLAY PORT							
.X ±	0.20	.X ±	.008	SEE NOTES		PART NO.(INTENDED USE)	TITLE:						
.XX ±	0.15	.XX ±	.006	FINISH		CA-20DPS-X-X-1-2-X	20P DISPLAY PORT SOCKET						
.XXX ±	0.10	.XXX ±	0.004	SEE NOTES		APPD: Ray 01/26/10'	SMT TYPE(DIP SHELL TAIL WITH RIB)						
<small>THESE DRAWINGS AND SPECIFICATIONS ARE THE PROPERTY OF CIRCUIT ASSEMBLY SHEN ZHEN AND SHALL NOT BE REPRODUCED. COPIED OR USED IN ANY MANNER WITHOUT THE PRIOR WRITTEN CONSENT OF CIRCUIT ASSEMBLY SHEN ZHEN</small>						Q'TY	DWG NO.:						
						CHKD: Ray 01/26/10'	HB10426						
						DR: Hifong 01/26/10'							
							<table border="1"> <tr> <th>SCALE</th> <th>SHEET</th> <th>REV.</th> </tr> <tr> <td>2/1</td> <td>2/2</td> <td>G</td> </tr> </table>	SCALE	SHEET	REV.	2/1	2/2	G
SCALE	SHEET	REV.											
2/1	2/2	G											