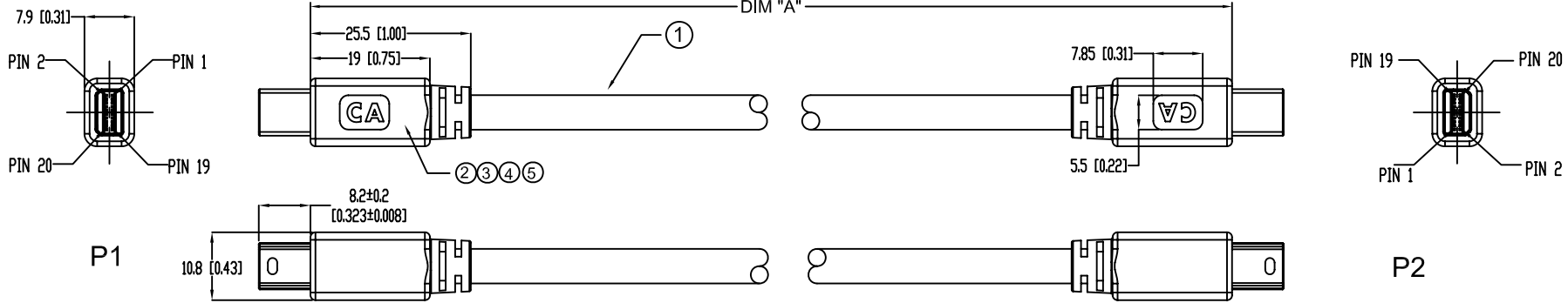
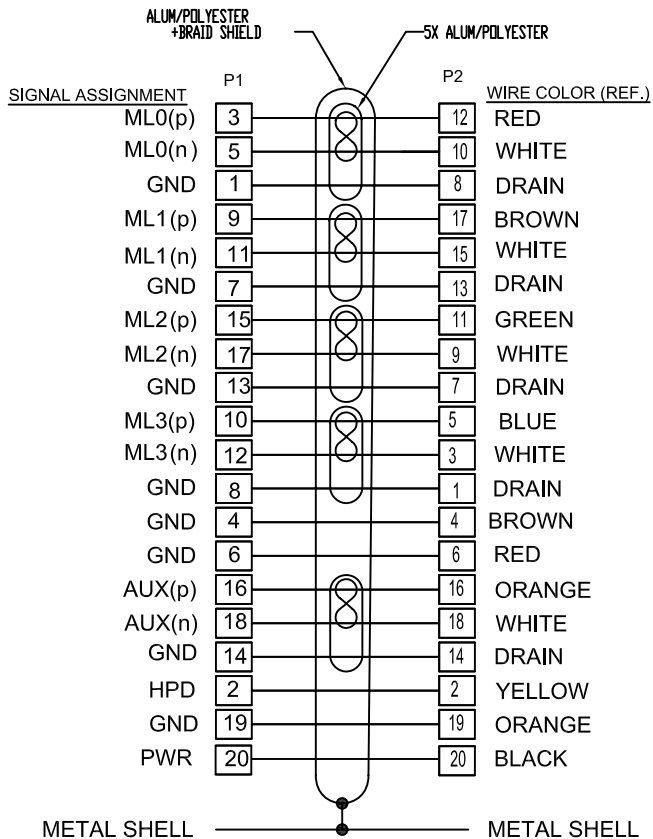


PART NO. CA-H713052-XX.XX

REVISIONS				
LTR	DESCRIPTION	DATE	APPROVED	
A	INITIAL RELEASE SEE DOH3647	Beyond 10-26-09'	Ray	
B	CONNECT PIN 20 SEE DOH3648	Beyond 10-29-09'	Ray	
C	CHANGE CA LOGO SIZE SEE DOH4625	Joyce 06-02-11'	Ray	
D	REMOVE DP LOGO SEE DOH5732	Paul 11-14-13'	Ray	



**WIRING DIAGRAM :**



CA-H713052-XX.XX

CABLE LENGTH  
DIM "A" IN METERS

Tolerances:	0.5m&Below;±25mm;
	0.5m~1.0m;±50mm;
	1.0m~3.0m;±75mm;
	3.0m~5.0m;±130mm;
	5.0m~10.0m;±250mm;
	10.0m~20.0m;±500mm;

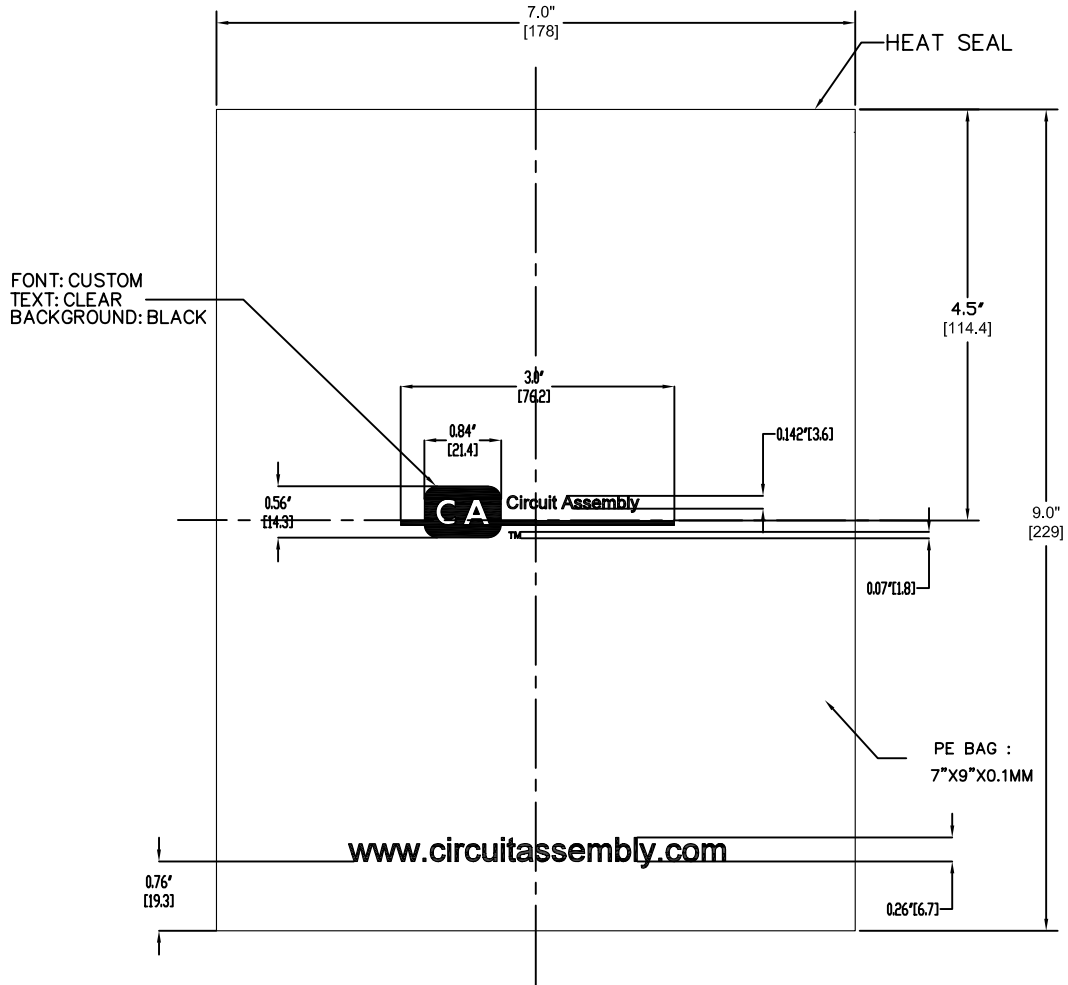
**NOTE:**

- ELECTRICAL SPECIFICATION:  
CABLE MUST PASS CONTINUITY TEST  
INSULATION RESISTANCE: 10M OHM MIN.  
CONDUCTOR RESISTANCE: 3 OHM;  
HI-VOLTAGE: 300V DC/0.1SEC.
- MEETS THE REQUIREMENTS OF DIRECTIVE 2011/65/EU OF THE EUROPEAN PARLIAMENT AND OF THE COUNCIL OF 03 JANUARY 2011 ON THE RESTRICTION OF THE USE OF CERTAIN HAZARDOUS SUBSTANCES IN ELECTRICAL AND ELECTRONIC EQUIPMENT. (ROHS 2.0)

⑤	PVC 45P, UL 94V-0, WHITE (CA: 9H).	KG	N/A
④	COPPER FOIL	M	N/A
③	LOW DENSITY CLEAR PE	KG	N/A
②	MINI Display Port 20PIN MALE, GOLD PLATED 30u", NI PLATED SHELL.	SET	2
①	UL20276, [32AWG(STRAINED)*1P+D+FAM]X5PCS+[32AWG(STRAINED)*5C]+AB, OD=5.5mm, WHITE PVC JACKET, MARKED "www.circuitassembly.com"	MM	N/A
ITEM	DESCRIPTION	UNITS	Q'TY
<small>DIMENSIONS ARE IN MILLIMETERS TOLERANCES ARE:</small> <small>DECIMALS ANGLES</small> .X ±.30 ±3° .XX ±.15 <small>DIMENSIONS IN BRACKETS [X.XX] ARE IN INCHES TOLERANCES ARE:</small> <small>DECIMALS ANGLES</small> .XX ±.012 ±3° .XXX ±.006 <small>DO NOT SCALE DRAWING</small>		<small>APPROVALS</small> DRAWN Beyond 10-26-09' CHECKED Andy 10-26-09' APPROVED Ray 10-26-09' <small>THE INFORMATION AND DESIGN DISCLOSED HEREIN WAS ORIGINATED BY AND IS THE PROPERTY OF CIRCUIT ASSEMBLY CORPORATION. CIRCUIT ASSEMBLY CORPORATION RESERVES ALL PATENT, PROPRIETARY, DESIGN, MANUFACTURING, REPRODUCTION, USE AND SALES RIGHTS THERE TO, AND TO ANY ARTICLE DISCLOSED HEREIN EXCEPT TO THE EXTENT RIGHTS ARE EXPRESSLY GRANTED TO OTHERS. THE FOREGOING DOES NOT APPLY TO VENDOR PROPRIETARY RIGHTS.</small>	
<b>CA</b> CIRCUIT ASSEMBLY SHENZHEN <small>AO XING ROAD, AOBEI 2ND VILLAGE, HENGANG TOWN</small>			
<b>CABLE ASSEMBLY-DISPLAYPORT SERIES 20MDPP TO 20MDPP</b>			
SIZE	CODE IDENT NO.	DRAWING NO.	REV.
C	52072	H713052	D
SCALE: 1 : 1		SHEET 1 OF 2	

REVISIONS			
LTR	DESCRIPTION	DATE	APPROVED
SEE PAGE 1			

# PACKAGE SPECIFICATION



**NOTES:**

PE "Circuit Assembly, TM" AND  
"www.circuitassembly.com" TEXT  
TYPE: ARIAL , TEXT COLOR: BLACK

DIMENSIONS ARE IN MILLIMETERS TOLERANCES ARE:  DECIMALS    ANGLES .X ±.30        ±3° .XX ±.15  DIMENSIONS IN BRACKETS [X.XX] ARE IN INCHES TOLERANCES ARE:  DECIMALS    ANGLES .XX ±.012     ±3° .XXX ±.006  DO NOT SCALE DRAWING	<b>APPROVALS</b> DRAWN    Beyond    10-26-09 CHECKED    Andy    10-26-09 APPROVED    Ray    10-26-09		<b>DATE</b> 10-26-09 10-26-09 10-26-09		<b>CA</b> CIRCUIT ASSEMBLY SHENZHEN AO XING ROAD, AOBEI 2ND VILLAGE, HENGANG TOWN  <b>CABLE ASSEMBLY-DISPLAYPORT SERIES 20MDPP TO 20MDPP</b>
	SIZE C	CODE IDENT NO. 52072	DRAWING NO. H713052	REV. D	
	SCALE: 1 : 1		SHEET 2 OF 2		