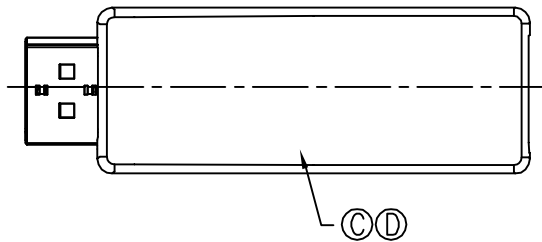
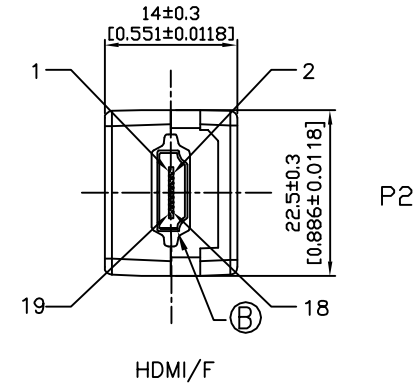
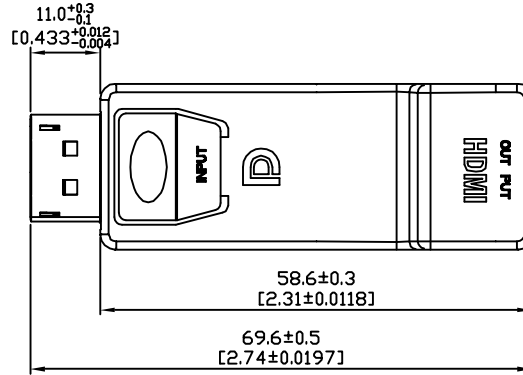
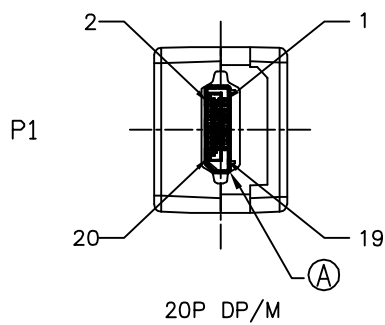


P/N CA-H713004

| REV. | DESCRIPTION     | D.O.  | APPD. |
|------|-----------------|-------|-------|
| A    | INITIAL RELEASE | H3249 | Ray   |



NOTE:

1. MEETS THE REQUIREMENTS OF DIRECTIVE 2002/95/EC OF THE EUROPEAN PARLIAMENT AND OF THE COUNCIL OF 27 JANUARY 2003 ON THE RESTRICTION OF THE USE OF CERTAIN HAZARDOUS SUBSTANCES IN ELECTRICAL AND ELECTRONIC EQUIPMENT.(ROHS)

| ITEM | DESCRIPTION   | QTY | UNITS |
|------|---|-----|-------|
| D    | BOTTOM AND TOP COVER,BLACK ABS                                    | 1   | SET   |
| C    | DP/M TO HDMI/F PCB  | 1   | PCS   |
| B    | 19P HDMI FEMALE,CONTACT GOLD 15u",GOLD FLASH PLATED SHELL         | 1   | PCS   |
| A    | DISPLAYPORT 20P MALE,WITH LATCH,CONTACT GOLD 15u",SHELL NI PLATED | 1   | PCS   |

| MILLIMETERS  | INCH        | UNITS    | MM | NAME(INTENDED USE)             | CIRCUIT ASSEMBLY SHENZHEN<br>CA INDUSTRIAL BUILDING, AOKING ROAD,<br>AOBEI SECOND VILLAGE, HENGANG TOWN,<br>SHENZHEN CITY, GUANGDONG,PROVINCE,CHINA. |
|--|-------------|----------|----|--------------------------------|--|
| X° ± 2'  | X° ± 2'     | MAT'L    |    | 20P DP/M TO HDMI/F ADAPTER     |  |
| .X ± 0.3   | .X ± .012   | SEE NOTE |    | PART NO.(INTENDED USE)         | TITLE:   |
| .XX ± 0.15   | .XX ± .006  | FINISH   |    | CA-H713004                     | 20P DP/M TO HDMI/F ADAPTER   |
| .XXX ± ----  | .XXX ± ---- | SEE NOTE |    | APPD: Ray 03/12/09'            | DWG NO.: H713004   |
| THESE DRAWINGS AND SPECIFICATIONS ARE THE PROPERTY OF CIRCUIT ASSEMBLY SHEN ZHEN AND SHALL NOT BE REPRODUCED, COPIED OR USED IN ANY MANNER WITHOUT THE PRIOR WRITTEN CONSENT OF CIRCUIT ASSEMBLY SHEN ZHEN |             |          |    | Q'TY                           | CHKD: Andy 03/12/09'   |
|  |             |          |    |                                | DR: Joyce 03/12/09'  |
|  |             |          |    |                                |  |
|  |             |          |    | SCALE SHEET REV.<br>NONE 1/1 A |  |