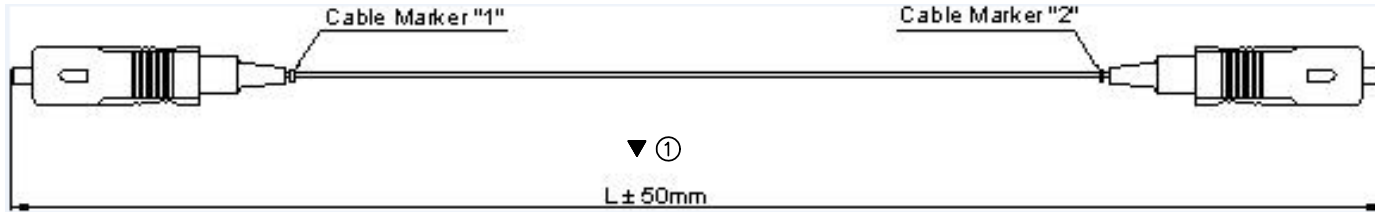
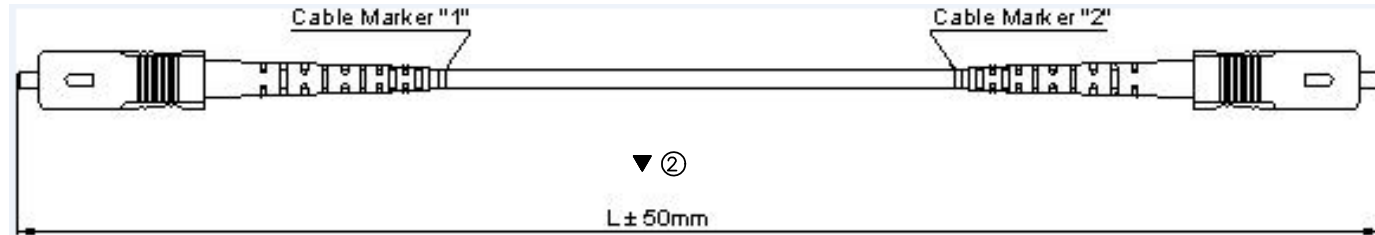


REVISIONS			
LTR	DESCRIPTION	DATE	APPROVED
A	Initial Release , see DO:H8234	08-12-19'	Ray

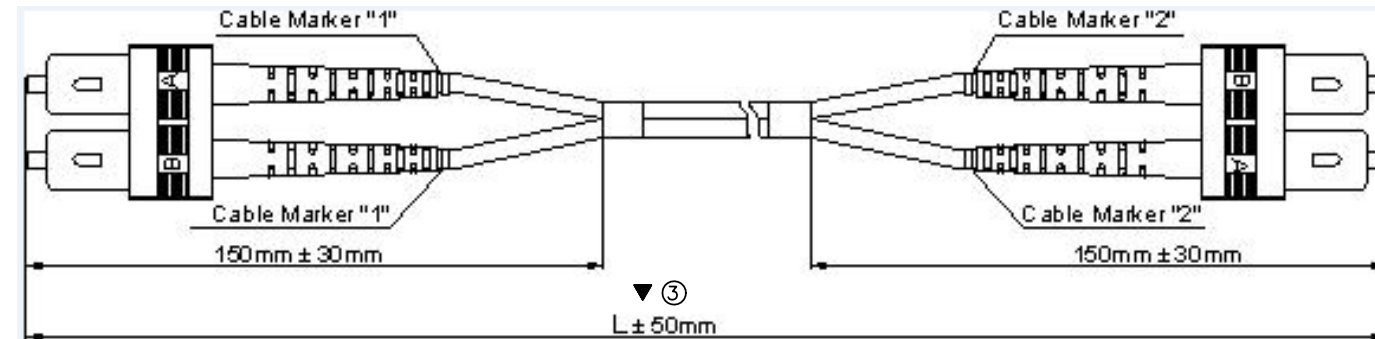
Simplex, 900um



Simplex, 3mm



Duplex, 3mm



ELECTRICAL SPECIFICATION:

1.CABLE MUST PASS CONTINUITY TEST.

NOTES :

1.MEETS THE REQUIREMENTS OF THE EUROPEAN PARLIAMENT AND THE RESTRICTION OF THE USE OF CERTAIN HAZARDOUS SUBSTANCES IN ELECTRICAL AND ELECTRONIC EQUIPMENT. (ROHS)

2. MARK ▼ DIMENSION MUST CONTROL, MARK "Ⓝ" IS DIMENSION No.

DIMENSIONS ARE IN MILLIMETERS
TOLERANCES ARE:

DECIMALS ANGLES
.X ±.80 ±3°
.XX ±.50

DIMENSIONS IN BRACKETS [X.XX]
ARE IN INCHES TOLERANCES ARE:

DECIMALS ANGLES
.XX ±.031 ±3°
.XXX ±.020

DO NOT SCALE DRAWING

APPROVALS		DATE
DRAWN	Andy	07-22-19'
CHECKED	Andy	07-22-19'
APPROVED	Ray	07-22-19'

THE INFORMATION AND DESIGN DISCLOSED HEREIN WAS ORIGINATED BY AND IS THE PROPERTY OF CIRCUIT ASSEMBLY CORPORATION. CIRCUIT ASSEMBLY CORPORATION RESERVES ALL PATENT, PROPRIETARY, DESIGN, MANUFACTURING, REPRODUCTION, USE AND SALES RIGHTS THEREOF, AND TO ANY ARTICLE DISCLOSED HEREIN EXCEPT TO THE EXTENT RIGHTS ARE EXPRESSLY GRANTED TO OTHERS. THE FOREGOING DOES NOT APPLY TO VENDOR PROPRIETARY RIGHTS.

CA CIRCUIT ASSEMBLY SHENZHEN
TAO XING ROAD, AOBEI 2ND VILLAGE, HENGGANG TOWN

CABLE ASSEMBLY-FIBER OPTIC PATCH CORDS SERIES
SC

SIZE	CODE IDENT NO.	DRAWING NO.	REV.
C	52072	H711644	A
SCALE: 1:1		SHEET 1 OF 3	

4

3

2

1

PART NO. CA-H711644-XXXXXX-X

REVISIONS			
LTR	DESCRIPTION	DATE	APPROVED
SEE PAGE1			

Ordering Information

Part Number: CA-H711644-X X X X X X-X


1 2 3 4 5 6 7 8

H711644=SC (Connector #1)

Example :CA-H711644-SPSSRR2.0-6

- 1 Finish 1 or Gender 1 S=SPC, U=UPC, A=APC, P=PC; for MTRJ, F=Female, M=Male
- 2 Connector #2 P=Pigtail (no connector at this end), F=FC, S=SC, T=ST, L=LC, etc.
- 3 Finish 2 or Gender 2 S=SPC, U=UPC, A=APC, P=PC; for MTRJ, F=Female, M=Male, T=Pigtail
- 4 Cable Type S=Simplex, D=Duplex
- 5 Fiber R=SM(G652), K=62.5um, C=50um, B=OM2, A=OM3, W=SM(G655)
- 6 Cable Jacket R=Riser, P=Plenum, L=LSZH
- 7 Cable Diameter 2.0=Ø2.0mm, 3.0=Ø3.0mm, 0.9=Ø0.9mm, etc.
- 8 Cable Length Length in meter, i.e. 3=3m

DIMENSIONS ARE IN MILLIMETERS TOLERANCES ARE:		APPROVALS		DATE
DRAWN		Andy	07-22-19'	
CHECKED		Andy	07-22-19'	
APPROVED		Ray	07-22-19'	
DECIMALS	ANGLES	THE INFORMATION AND DESIGN DISCLOSED HEREIN WAS ORIGINATED BY AND IS THE PROPERTY OF CIRCUIT ASSEMBLY CORPORATION. CIRCUIT ASSEMBLY CORPORATION RESERVES ALL PATENT, PROPRIETARY, DESIGN, MANUFACTURING, REPRODUCTION, USE AND SALES RIGHTS THEREIN, AND TO ANY ARTICLE DISCLOSED HEREIN EXCEPT TO THE EXTENT RIGHTS ARE EXPRESSLY GRANTED TO OTHERS. THE FOREGOING DOES NOT APPLY TO VENDOR PROPRIETARY RIGHTS.		
.X ± .80	±3°			
.XX ± .50				
DIMENSIONS IN BRACKETS [X.XX] ARE IN INCHES TOLERANCES ARE:				
DECIMALS	ANGLES			
.XX ± .031	±3°			
.XXX ± .020				
DO NOT SCALE DRAWING				

 CIRCUIT ASSEMBLY SHENZHEN			
AO XING ROAD, AOBEI 2ND VILLAGE, HENGGANG TOWN			
CABLE ASSEMBLY-FIBER OPTIC PATCH CORDS SERIES			
SC			
SIZE	CODE IDENT NO.	DRAWING NO.	REV.
C	52072	H711644	A
SCALE: 1 : 1		SHEET 2 OF 3	

4

3

2

1

Specifications

Characteristics	Unit	Value/Performance			Comments		
		SM		MM			
		PC	APC				
Basic							
Insertion Loss (IL)	dB	≤0.3			IEC 61300-3-4		
Return Loss (RL)	dB	SPC ≥45, UPC ≥50	≥60	≥23	IEC 61300-3-6		
Endurance	dB	ΔIL ≤0.2			IEC 61300-2-2, coupling and uncoupling 500 cycles, clean every 25 cycles		
Operating Temperature	°C	-20 ~ +70					
Storage Temperature	°C	-40 ~ +70					
Ferrule end-face geometry							
Radius of Curvature (R)	mm	7-25	5-12	NA	Telcordia GR326(4.4.5)		
Apex Offset	um	≤50		NA	Telcordia GR325(4.4.5)		
Fiber Protrusion	nm	≤50	≤100	NA	Telcordia GR326(4.4.5)		
Fiber Under Cut	nm	≤125@ R=7-10	≤100	NA	Telcordia GR326(4.4.5). For PC, Under Cut ≤ -0.02R ³ +1.3R ² -31R+325 when R=10-25mm		
Mechanical							
Drop	dB	ΔIL ≤0.2			IEC 61300-2-12, 1.5m, 5 drops, no damage		
Vibration	dB	ΔIL ≤0.2			IEC 61300-2-1, 10-55Hz, 0.75mm amplitude, 0.5 hrs/axis		
Flex	dB	ΔIL ≤0.2			Telcordia GR326(4.4.3.2), 0.9kg, ±90°, 100cycles, for 2mm or larger cable		
Twist	dB	ΔIL ≤0.2			Telcordia GR326(4.4.3.3), 1.35kg load, ±2.5 turns, 10 cycles, for 2mm or larger cable		
Pull Proof	dB	ΔIL ≤0.2			Telcordia GR326(4.4.3.4), 3.4kg at 90°, 6.8kg at 0°, for 2mm or larger cable		
Coupling strength	dB	ΔIL ≤0.2			IEC 61300-2-6, 4.2kg, 2min		
Static Bending	dB	ΔIL ≤0.2			IEC 794-1-2, 60mm diameter 10 turns		
Crushing	dB	ΔIL ≤0.2			IEC 794-1-2, 102kg for 2mm or larger cable, 10.2kg for 900m cable		
Environmental							
Cold	dB	ΔIL ≤0.2			IEC 61300-2-17, -20°C, 96 hrs		
Dry Heat	dB	ΔIL ≤0.2			IEC 61300-2-18, 70°C, 96 hrs		
Damp Heat	dB	ΔIL ≤0.2			IEC 61300-2-19, 40°C, 95%RH, 96 hrs		
Transmission							
Characteristics	Unit	G652 SM	G655 SM	Std. 50um	62.5um	OM2	OM3
Max. Attenuation	dB/km(nm)	0.4/0.3 (1310/1550)	0.3 (1550)	2.8 (850)	3.0 (850)	2.8 (850)	2.8 (850)
Min. Bandwidth	MHz•km(nm)	-	-	500/500 (850/1300)	200/200 (850/1300)	750 (850)	2000 (850)
Dispersion Coefficient	ps/nm ² •km	≤3.0 (1310nm)	2.6-6.0(1550nm)	-	-	-	-

DIMENSIONS ARE IN MILLIMETERS TOLERANCES ARE:		APPROVALS		DATE
DECIMALS ANGLES		DRAWN	Andy	07-22-19'
.X ±.80 ±3°		CHECKED	Andy	07-22-19'
.XX ±.50		APPROVED	Ray	07-22-19'
DIMENSIONS IN BRACKETS [X.XX] ARE IN INCHES TOLERANCES ARE:		THE INFORMATION AND DESIGN DISCLOSED HEREIN WAS ORIGINATED BY AND IS THE PROPERTY OF CIRCUIT ASSEMBLY CORPORATION. CIRCUIT ASSEMBLY CORPORATION RESERVES ALL PATENT, PROPRIETARY, DESIGN, MANUFACTURING, REPRODUCTION, USE AND SALES RIGHTS THEREIN, AND TO ANY ARTICLE DISCLOSED HEREIN EXCEPT TO THE EXTENT RIGHTS ARE EXPRESSLY GRANTED TO OTHERS. THE FURNISHING DOES NOT APPLY TO VENDOR PROPRIETARY RIGHTS.		
DECIMALS ANGLES				
.XX ±.031 ±3°				
.XXX ±.020				
DO NOT SCALE DRAWING				

CIRCUIT ASSEMBLY SHENZHEN AO XING ROAD, AOBEI 2ND VILLAGE, HENGGANG TOWN			
CABLE ASSEMBLY-FIBER OPTIC PATCH CORDS SERIES SC			
SIZE	CODE IDENT NO.	DRAWING NO.	REV.
C	52072	H711644	A
SCALE: 1:1		SHEET 3 OF 3	