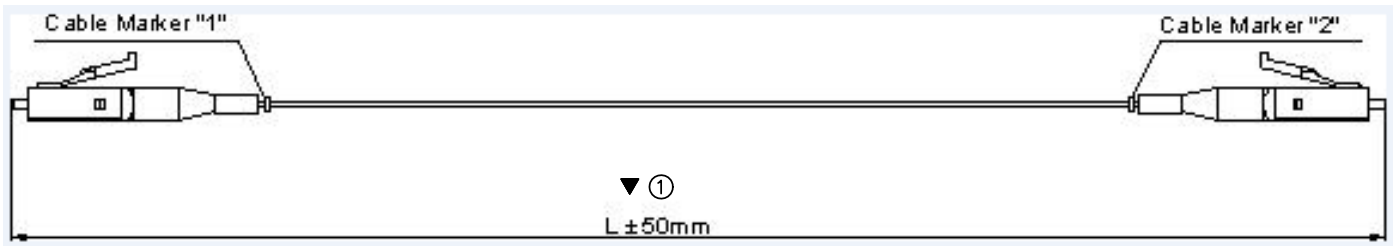


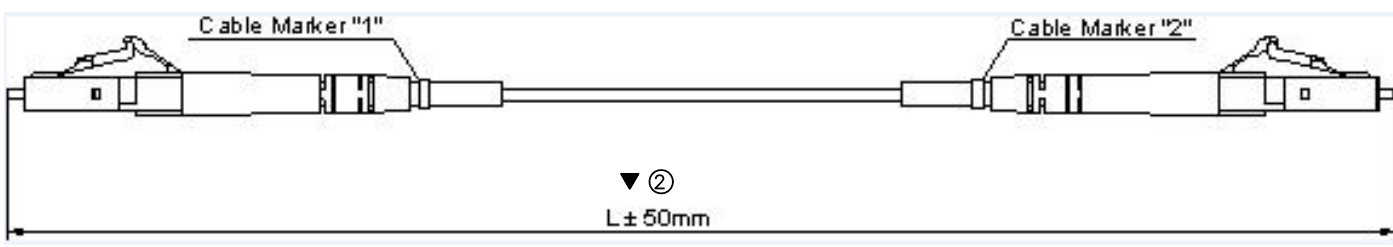
PART NO. CA-H711643-XXXXXX-X

REVISIONS			
LTR	DESCRIPTION	DATE	APPROVED
A	Initial Release , see DO :H8234	08-12-19'	Ray

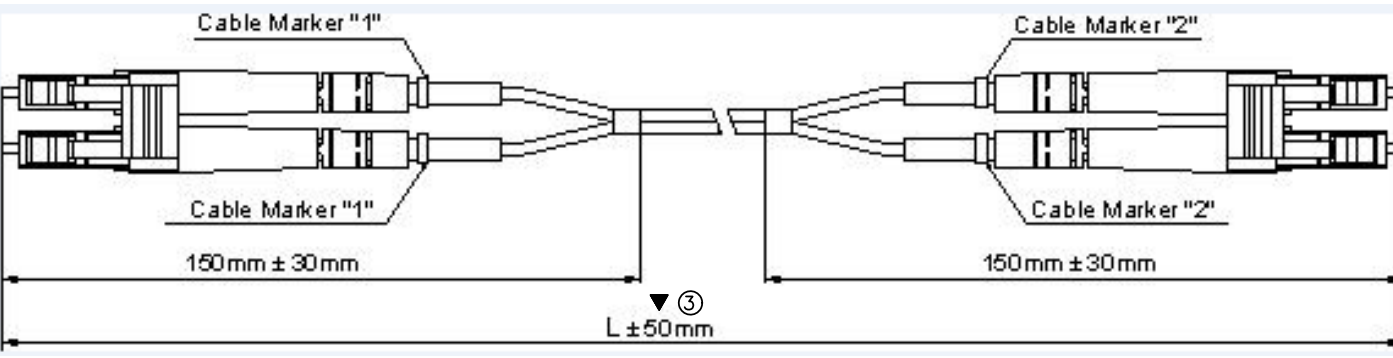
Simplex, 900um



Simplex, 2mm



Duplex, 2mm



ELECTRICAL SPECIFICATION:

1.CABLE MUST PASS CONTINUITY TEST.

NOTES :

1.MEETS THE REQUIREMENTS OF THE EUROPEAN PARLIAMENT AND THE RESTRICTION OF THE USE OF CERTAIN HAZARDOUS SUBSTANCES IN ELECTRICAL AND ELECTRONIC EQUIPMENT. (ROHS)

2. MARK ▼ DIMENSION MUST CONTROL, MARK "Ⓝ" IS DIMENSION No.

DIMENSIONS ARE IN MILLIMETERS TOLERANCES ARE:

DECIMALS	ANGLES
.X ± .80	±3°
.XX ± .50	

DIMENSIONS IN BRACKETS [X.XX] ARE IN INCHES TOLERANCES ARE:

DECIMALS	ANGLES
.XX ± .031	±3°
.XXX ± .020	

DO NOT SCALE DRAWING

APPROVALS		DATE
DRAWN	Andy	06-20-19'
CHECKED	Andy	06-20-19'
APPROVED	Ray	06-20-19'

CA CIRCUIT ASSEMBLY SHENZHEN
 AO XING ROAD, AOBEI 2ND VILLAGE, HENGGANG TOWN

CABLE ASSEMBLY-FIBER OPTIC PATCH CORDS SERIES LC

SIZE	CODE IDENT NO.	DRAWING NO.	REV.
C	52072	H711643	A
SCALE: 1 : 1		SHEET 1 OF 3	

4

3

2

1

PART NO. CA-H711643-XXXXXX-X

REVISIONS			
LTR	DESCRIPTION	DATE	APPROVED
SEE PAGE1			

Ordering Information


Part Number: CA-H711643-X X X X X X-X

1 2 3 4 5 6 7 8

H711643=LC (Connector #1)

Example :CA-H711643-ULUSRP2.0-3

1. Finish 1 or Gender 1 S=SPC, U=UPC, A=APC, P=PC; for MTRJ, F=Female, M=Male
2. Connector #2 P=Pigtail (no connector at this end), F=FC, S=SC, T=ST, L=LC, E2=E2000, DN=DIN, M=MU, MR=MTRJ,etc.
3. Finish 2 or Gender 2 S=SPC, U=UPC, A=APC, P=PC; for MTRJ, F=Female, M=Male, T=Pigtail
4. Cable Type S=Simplex, D=Duplex
5. Fiber R=SM(G652), K=62.5um, C=50um, B=OM2, A=OM3, W=SM(G655)
6. Cable Jacket R=Riser, P=Plenum, L=LSZH
7. Cable Diameter 2.0=Ø2.0mm, 3.0=Ø3.0mm, 0.9=Ø0.9mm, etc.
8. Cable Length Length in meter, i.e. 3=3m

DIMENSIONS ARE IN MILLIMETERS TOLERANCES ARE:		APPROVALS		DATE
DRAWN	Andy	06-20-19'		 CIRCUIT ASSEMBLY SHENZHEN AO XING ROAD, AOBEI 2ND VILLAGE, HENGGANG TOWN
CHECKED	Andy	06-20-19'		
APPROVED	Ray	06-20-19'		
DECIMALS	ANGLES	<small>THE INFORMATION AND DESIGN DISCLOSED HEREIN WAS ORIGINATED BY AND IS THE PROPERTY OF CIRCUIT ASSEMBLY CORPORATION. CIRCUIT ASSEMBLY CORPORATION RESERVES ALL PATENT, PROPRIETARY, DESIGN, MANUFACTURING, REPRODUCTION, USE AND SALES RIGHTS THEREON, AND TO ANY ARTICLE DISCLOSED HEREIN EXCEPT TO THE EXTENT RIGHTS ARE EXPRESSLY GRANTED TO OTHERS. THE FURNISHING DOES NOT APPLY TO VENDOR PROPRIETARY RIGHTS.</small>		
.X ± .80	±3°	<small>DIMENSIONS IN BRACKETS [X.XX] ARE IN INCHES TOLERANCES ARE:</small>		
.XX ± .50		<small>DO NOT SCALE DRAWING</small>		

CABLE ASSEMBLY-FIBER OPTIC PATCH CORDS SERIES			
LC			
SIZE	CODE IDENT NO.	DRAWING NO.	REV.
C	52072	H711643	A
SCALE: 1: 1		SHEET 2 OF 3	

4

3

2

1

Specifications

Characteristics	Unit	Value/Performance			Comments		
		SM		MM			
		PC	APC				
Basic							
Insertion Loss (IL)	dB	≤0.3			IEC 61300-3-4		
Return Loss (RL)	dB	SPC≥45,UPC≥50	≥60	≥23	IEC 61300-3-6		
Endurance	dB	ΔIL≤0.2			IEC 61300-2-2, coupling and uncoupling 500 cycles, clean every 25 cycles		
Operating Temperature	°C	-20 ~ +70					
Storage Temperature	°C	-40 ~ +70					
Ferrule end-face geometry							
Radius of Curvature (R)	mm	7-25	5-12	NA	Telcordia GR326(4.4.5)		
Apex Offset	um	≤50		NA	Telcordia GR325(4.4.5)		
Fiber Protrusion	nm	≤50	≤100	NA	Telcordia GR326(4.4.5)		
Fiber Under Cut	nm	≤125@ R=7-10 ≤100			Telcordia GR326(4.4.5). For PC, Under Cut ≤-0.02R ³ +1.3R ² -31R+325 when R=10-25mm		
Mechanical							
Drop	dB	ΔIL≤0.2			IEC 61300-2-12, 1.5m, 5 drops, no damage		
Vibration	dB	ΔIL≤0.2			IEC 61300-2-1, 10-55Hz, 0.75mm amplitude, 0.5 hrs/axis		
Flex	dB	ΔIL≤0.2			Telcordia GR326(4.4.3.2), 0.6kg, ±90°, 100cycles, for 2mm or larger cable		
Twist	dB	ΔIL≤0.2			Telcordia GR326(4.4.3.3), 1.35kg load, ±2.5 turns, 10 cycles, for 2mm or larger cable		
Pull Proof	dB	ΔIL≤0.2			Telcordia GR326(4.4.3.4), 2.3kg at 90°, 6.8kg at 0°, for 2mm or larger cable		
Coupling strength	dB	ΔIL≤0.2			IEC 61300-2-6, 4.2kg, 2min		
Static Bending	dB	ΔIL≤0.2			IEC 794-1-2, 60mm diameter 10 turns		
Crushing	dB	ΔIL≤0.2			IEC 794-1-2, 102kg for 2mm or larger cable, 10.2kg for 900m cable		
Environmental							
Cold	dB	ΔIL≤0.2			IEC 61300-2-17, -20°C, 96 hrs		
Dry Heat	dB	ΔIL≤0.2			IEC 61300-2-18, 70°C, 96 hrs		
Damp Heat	dB	ΔIL≤0.2			IEC 61300-2-19, 40°C, 95%RH, 96 hrs		
Transmission							
Characteristics	Unit	G652 SM	G655 SM	Std. 50um	62.5um	OM2	OM3
Max. Attenuation	dB/km(nm)	0.4/0.3 (1310/1550)		0.3 (1550)	2.8 (850)	3.0 (850)	2.8 (850)
Min. Bandwidth	MHz•km(nm)	-		-	500/500 (850/1300)	200/200 (850/1300)	750 (850)
Dispersion Coefficient	ps/nm ² •km	≤3.0 (1310nm)		2.6-6.0(1550nm)	-	-	-

DIMENSIONS ARE IN MILLIMETERS TOLERANCES ARE:

DECIMALS ANGLES
.X ±.80 ±3°
.XX ±.50

DIMENSIONS IN BRACKETS [X.XX] ARE IN INCHES TOLERANCES ARE:

DECIMALS ANGLES
.XX ±.031 ±3°
.XXX ±.020

DO NOT SCALE DRAWING

APPROVALS		DATE
DRAWN	Andy	06-20-19'
CHECKED	Andy	06-20-19'
APPROVED	Ray	06-20-19'

THE INFORMATION AND DESIGN DISCLOSED HEREIN WAS ORIGINATED BY AND IS THE PROPERTY OF CIRCUIT ASSEMBLY CORPORATION. CIRCUIT ASSEMBLY CORPORATION RESERVES ALL PATENT, PROPRIETARY, DESIGN, MANUFACTURING, REPRODUCTION, USE AND SALES RIGHTS THEREIN, AND TO ANY ARTICLE DISCLOSED HEREIN EXCEPT TO THE EXTENT RIGHTS ARE EXPRESSLY GRANTED TO OTHERS. THE FOREGOING DOES NOT APPLY TO VENDOR PROPRIETARY RIGHTS.

CA CIRCUIT ASSEMBLY SHENZHEN
AO XING ROAD, AOBEI 2ND VILLAGE, HENGGANG TOWN

CABLE ASSEMBLY-FIBER OPTIC PATCH CORDS SERIES
LC

SIZE	CODE IDENT NO.	DRAWING NO.	REV.
C	52072	H711643	A

SCALE: 1:1 SHEET 3 OF 3