

REV.	DESCRIPTION	D.O.	APPD.
A	Initial release	H4535	Ray
B	change the connector outlier dimension form 5.9mm to 5.2mm.	H4543	Ray
C	change the connector GOLD PLATED 15U" to GOLD FLASH PLATED.	H4558	Ray

CA-H709330-XX.XX

CABLE LENGTH

DIM 'A' IN METERS

TOLERANCES: 0.10M ~ 0.30M ±0.015M  
 0.31M ~ 0.50M ±0.025M  
 0.51M ~ 1.00M ±0.050M  
 > 1.01M ±0.075M

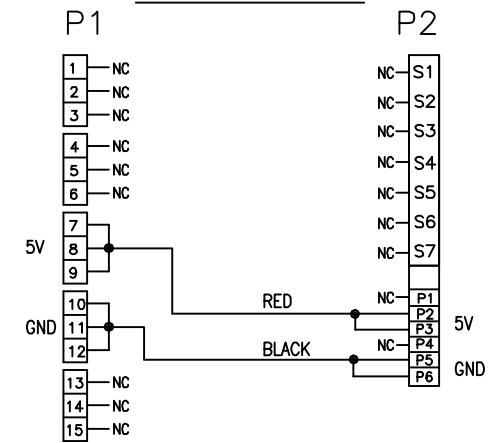
ELECTRICAL SPECIFICATION:

- 1.CABLE MUST PASS CONTINUITY TEST.
- 2.INSULATION RESISTANCE: 20MΩ MIN.
- 3.CONDUCTOR RESISTANCE: 2Ω MAX.
- 4.HI-VOLTAGE: 300V DC/0.1 SEC.

NOTES : UNLESS OTHERWISE SPECIFIED

1. MEETS THE REQUIREMENTS OF DIRECTIVE 2002/95/EC OF THE EUROPEAN PARLIAMENT AND OF THE COUNCIL OF 27 JANUARY 2003 ON THE RESTRICTION OF THE USE OF CERTAIN HAZARDOUS SUBSTANCES IN ELECTRICAL AND ELECTRONIC EQUIPMENT. (RoHS)

WIRING DIAGRAM



ITEM	QTY	P/N	DESCRIPTION
6		PVC	PVC 45P, UL 94V-0, COLOR: BLACK.
5		PE	PE CLEAR
4	2	TERMINAL	TERMINAL CRIMPING 15PIN SATA SERIES-CONTACT (PLATED: G/F).
3	1	BASE	ASS'Y SOCKET CRIMPING 15PIN SATA SERIES-BASE. COLOR: BLACK.
2	1	CONNECTOR	SATA 13P MALE CONTACT GOLD FLASH PLATED, MOLD TYPE.
1		WIRE	UL 1007 20AWG WIRE COLOR: BLACK, RED.

MILLIMETERS	INCH	UNITS	MM	NAME(INTENDED USE)	CIRCUIT ASSEMBLY SHENZHEN -CA INDUSTRIAL BUILDING, AOXING ROAD, AOBEI SECOND VILLAGE, HENGANG TOWN, SHENZHEN CITY, GUANGDONG PROVINCE, CHINA
X. ± 2'	X. ± 2'	MAT'L		SATA 15P TO SATA 13P CABLE ASSEMBLY	
.X ± 0.3	.X ± .012			PART NO.(INTENDED USE)	
.XX ± 0.15	.XX ± .006	FINISH		CA-H709330-XX.XX	
.XXX ± ----	.XXX ± ----	Q'TY		APPD: Ray 04-02-11'	
THESE DRAWINGS AND SPECIFICATIONS ARE THE PROPERTY OF CIRCUIT ASSEMBLY SHEN ZHEN AND SHALL NOT BE REPRODUCED, COPIED OR USED IN ANY MANNER WITHOUT THE PRIOR WRITTEN CONSENT OF CIRCUIT ASSEMBLY SHEN ZHEN				CHKD: Andy 04-02-11'	DWG NO.:
				DRAW: Daniel 03-16-11'	H709330
				SCALE	SHEET
	NONE	1/1	C		