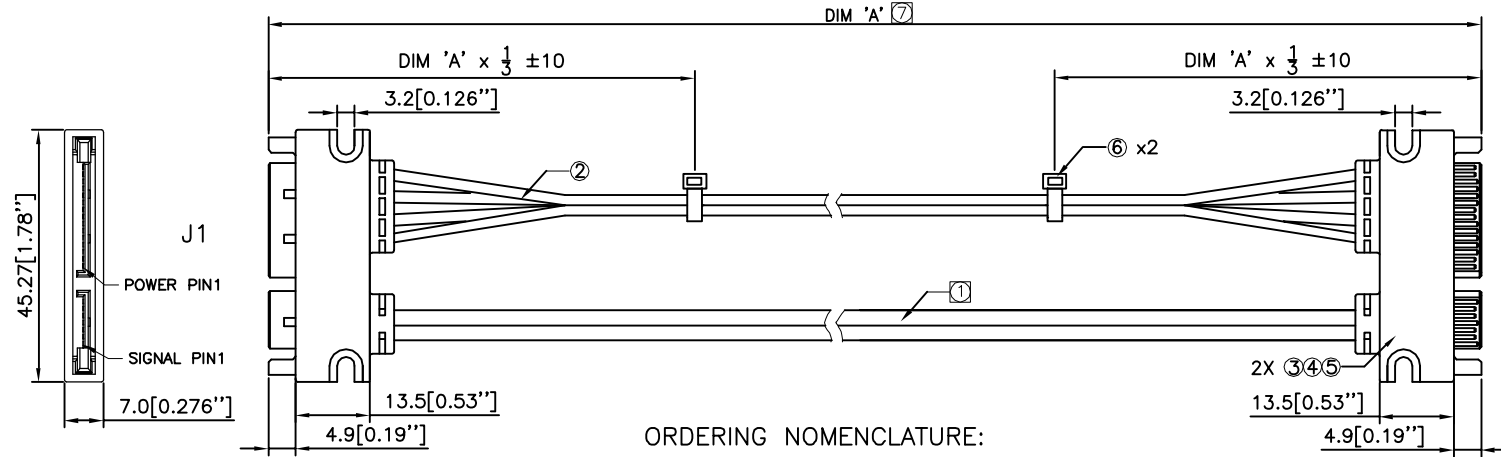


P/N CA-C0005658-XXXX-X

REV.	DESCRIPTION	D.O.	APPD.
A	INITIAL RELEASE	H2771	Ray



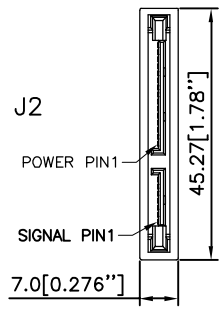
ORDERING NOMENCLATURE:

CA-C0005658-XXXX-X

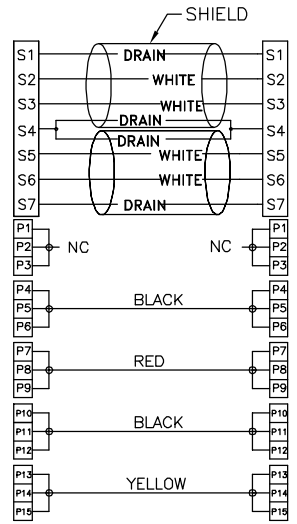
SERIAL ATA
CABLE ASSEMBLY
LENGTH: _____
(DIM 'A' MM) ⑦
TOLERANCES ARE:
<150mm: ±13mm
150mm~1000mm: ±25mm
>1000mm: ±50mm
CABLE COLOR: ① _____
R=TRANSLUCENT RED
B=TRANSLUCENT BLUE

ELECTRICAL SPECIFICATION:
1.CABLE MUST PASS CONTINUITY TEST.
2.INSULATION RESISTANCE: 20MΩ MIN.
3.CONDUCTOR RESISTANCE: 2Ω MAX.
4.HI-VOLTAGE: 300V DC/0.1 SEC.

NOTES : UNLESS OTHERWISE SPECIFIED
1. MEETS THE REQUIREMENTS OF DIRECTIVE 2002/95/EC OF THE EUROPEAN PARLIAMENT AND OF THE COUNCIL OF 27 JANUARY 2003 ON THE RESTRICTION OF THE USE OF CERTAIN HAZARDOUS SUBSTANCES IN ELECTRICAL AND ELECTRONIC EQUIPMENT. (ROHS)
2. UL LABEL MUST BE ON OUTSIDE OF THE BOX.



J1 WIRING DIAGRAM J2



6	2	TIE	CABLE TIE, 100mm, COLOR NATURAL,
5		PVC	PVC COLOR: BLACK, 30P, UL94V-0.
4		PE	PE CLEAR
3	2	CONNECTOR	SATA 22P PLUG, PIN GOLD PLATED 15u", MOLD TYPE, CA P/N: 22SAPP-C-2.
2		WIRE	UL 1007 20AWG WIRE COLOR: BLACK, RED, YELLOW.
1		CABLE	UL 20276 [26AWG (1/0.4) * 2C + A2E] * 2F, OD=2.08 * 7.8mm.

MILLIMETERS	INCH	UNITS	MM	NAME(INTENDED USE)	CIRCUIT ASSEMBLY SHENZHEN CA INDUSTRIAL BUILDING, AOXING ROAD, AGEI SECOND VILLAGE, HENGANG TOWN, SHENZHEN CITY, GUANGDONG, PROVINCE, CHINA	
.X ± 2'	.X ± 2'	MAT'L		SATA 22P PLUG CABLE ASS'Y		
.XX ± 0.3	.XX ± .012	FINISH		PART NO.(INTENDED USE)	TITLE:	
.XX ± 0.15	.XX ± .006		CA-C0005658-XXXX-X	SATA 22P PLUG CABLE ASS'Y		
.XXX ± ----	.XXX ± ----	Q'TY		APPD: Ray 04/01/08'	DWG NO.:	
<small>THESE DRAWINGS AND SPECIFICATIONS ARE THE PROPERTY OF CIRCUIT ASSEMBLY SHEN ZHEN AND SHALL NOT BE REPRODUCED, COPIED OR USED IN ANY MANNER WITHOUT THE PRIOR WRITTEN CONSENT OF CIRCUIT ASSEMBLY SHEN ZHEN</small>				CHKD: Andy 04/01/08'	H709168	
				DRAW: Danile 04/01/08'	SCALE SHEET REV.	
					NONE 1/1 A	

ITEM	QTY	P/N	DESCRIPTION
------	-----	-----	-------------