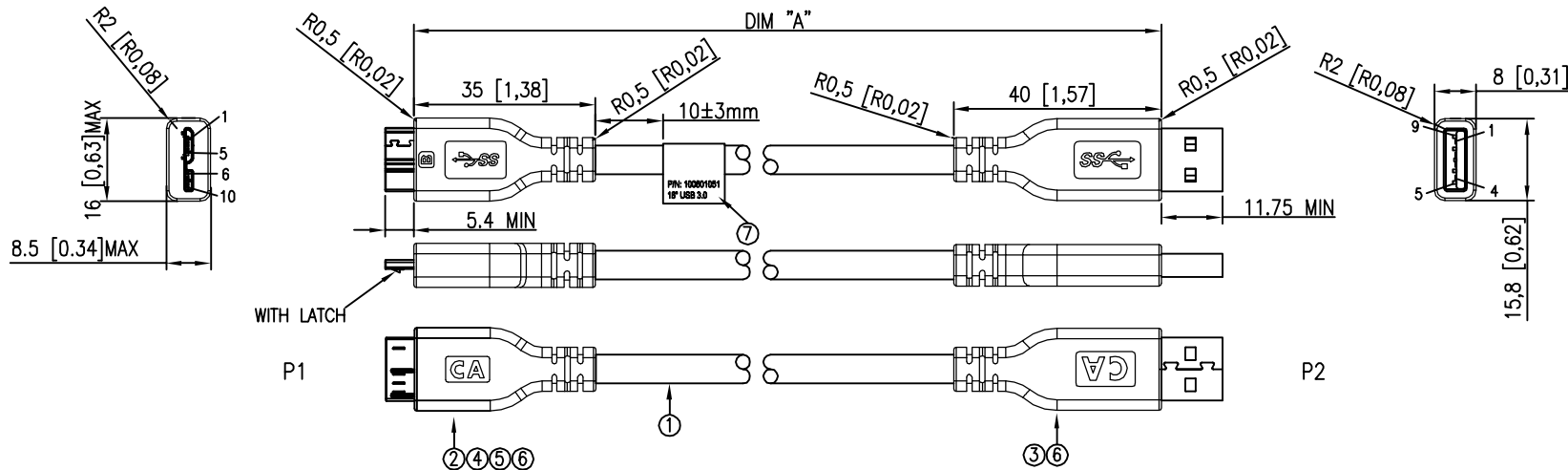


P/N	CA-H703070-X-X-XXXX	REV.	A	DESCRIPTION	Initial Release	DO.	H4184	APPD.	Ray
-----	---------------------	------	---	-------------	-----------------	-----	-------	-------	-----



Electronic Test:

- 100% Test(Open,Short,Miss wire)
- CONDUCTOR RESISTANCE: 2 OHMS MAX.
- INSULATION RESISTANCE: 20 MOHMS MIN.
- HI-VOLTAGE 300 V DC/0.1SEC MIN.

NOTE:

- MEETS THE REQUIREMENTS OF DIRECTIVE 2002/95/EC OF THE EUROPEAN PARLIAMENT AND OF THE COUNCIL OF 27 JANUARY 2003 ON THE RESTRICTION OF THE USE OF CERTAIN HAZARDOUS SUBSTANCES IN ELECTRICAL AND ELECTRONIC EQUIPMENT. (RoHS)

CA-H703070-X-X-XXXX

CABLE STYLE AND COLOR

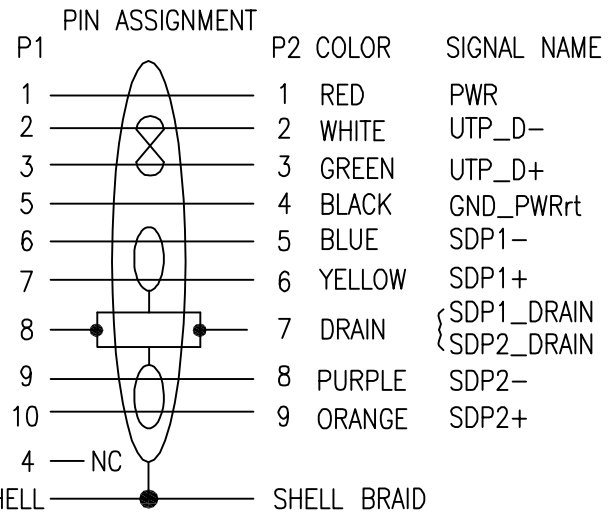
- 1=28AWG PANTONE/#300C
- 2=28AWG BLACK

OVERMOLD COLOR

- 1=PANTONE/#300C
- 2=BLACK

CABLE LENGTH  
DIM "A" IN MILLIMETER

500mm&Below:±25mm;  
500mm~1000mm:±50mm;  
Tolerances: 1000mm~3000mm:±75mm;  
3000mm~5000mm:±130mm;



ITEM	QTY	P/N	DESCRIPTION
7	1	LABEL	LABEL, WHITE GROUND WITH BLACK LETTERS.
6	N/A	PVC	PVC 45P UL94V-0.
5	N/A	COPPER FOIL	COPPER FOIL
4	N/A	PE	CLEAR PE: (CA: PE101)
3	1	CONNECTOR	USB 3.0 A MALE CONNECTOR, GOLD PLATED 30U", BASE COLOR: BLUE PANTONE/#300C, SHELL NICKEL PLATED
2	1	CONNECTOR	MICRO USB 3.0 B MALE CONNECTOR, GOLD PLATED 30U", BASE COLOR: BLACK, WITH LATCH, SHELL NICKEL PLATED
1	N/A	CABLE	UL2725 [(30AWGX1PAIRS, DAM)X2, +28AWGX1PAIRS, +26AWGX2C], AB, OD=5.2mm, PVC JACKET, MARKING "CA".

MILLIMETERS	INCH	UNITS	MM	NAME(INTENDED USE)	<b>CIRCUIT ASSEMBLY SHENZHEN</b> <small>CA INDUSTRIAL BUILDING, AOXING ROAD,          AOBEI SECOND VILLAGE, HENGANG TOWN,          SHENZHEN CITY, GUANGDONG, PROVINCE, CHINA</small>
X.± 3'	X.± 3'	MAT'L		USB 3.0 MICRO B/M TO A/M CABLE ASSEMBLY	
.X± 0.3	.X± 0.012	FINISH		PART NO.(INTENDED USE) CA-H703070-X-X-XXXX	TITLE: USB 3.0 MICRO B/M TO A/M CABLE ASSEMBLY
.XX± 0.15	.XX± 0.006	Q'TY		APPD: Ray 08/02/10'	DWG NO.: H703070
.XXX± ----	.XXX± ----			CHKD: James 08/02/10'	
THESE DRAWINGS AND SPECIFICATIONS ARE THE PROPERTY OF CIRCUIT ASSEMBLY SHEN ZHEN AND SHALL NOT BE REPRODUCED, COPIED OR USED IN ANY MANNER WITHOUT THE PRIOR WRITTEN CONSENT OF CIRCUIT ASSEMBLY SHEN ZHEN				DR: Beyond 05/13/10'	SCALE SHEET REV. NONE 1/1 A