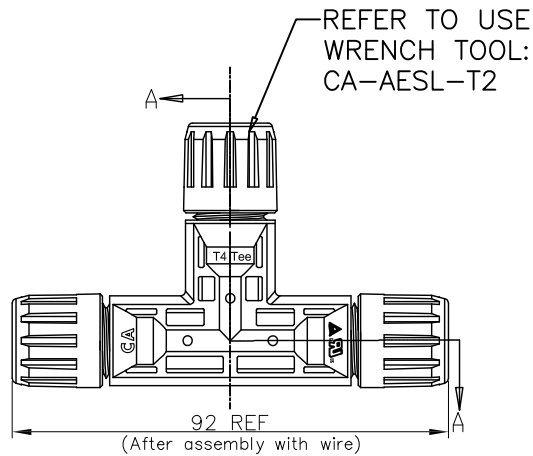
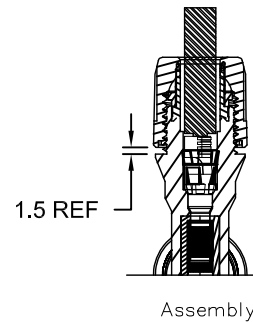
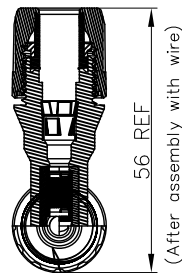


PART NO. CA-H630007-11

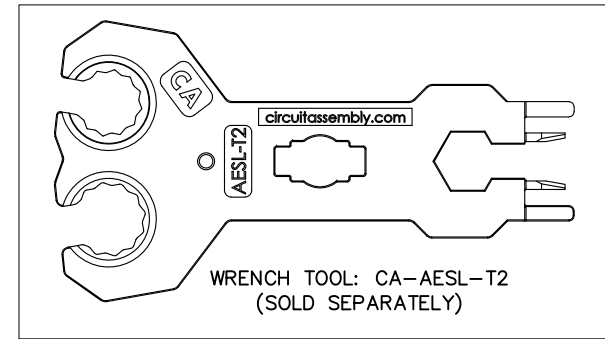
REVISIONS				
LTR	DESCRIPTION	DATE	APPROVED	
A	INITIAL RELEASE SEE DO H5408	James 01-21-13'	Ray	
B	ADD TEXT SEE DO H5477	James 04-10-13'	Ray	
C	CORRECT ISO-VIEW SEE DO H5497	James 04-22-13'	Ray	
D	CHANGE SEE DO H6903	Venn 02-19-16'	Ray	
E	CHANGE UL TO CUL SEE DO H7327	James 11-01-16'	Ray	



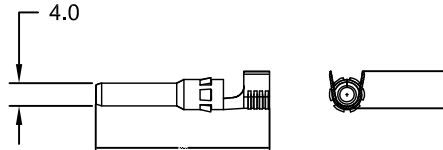
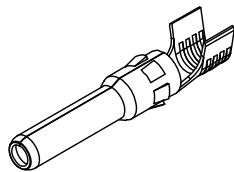
SECTION A-A



REFER TO CABLE O.D.: 7.6MM MAX.



TEE JOINT CONTACT



(MALE)

ORDERING NOMENCLATURE:

CA-H630007-11

ALTERNATIVE ENERGY
SOLAR, TEE JOINT CONNECTORS

LOOSE CONTACT

CABLE SIZE
14, 12, 10AWG

CONTACT SIZE	"A" (MM)
2.5mm/14awg	5.60
4.0mm/12awg	
6.0mm/10awg	

DIMENSIONS ARE IN MILLIMETERS
TOLERANCES ARE:

DECIMALS ANGLES
.X ±.25 ±3°
.XX ±.13

DIMENSIONS IN BRACKETS [X.XX]
ARE IN INCHES TOLERANCES ARE:

DECIMALS ANGLES
.XX ±.010 ±3°
.XXX ±.005

DO NOT SCALE DRAWING

APPROVALS		DATE
DRAWN	James	01/21/13'
CHECKED	Ray	01/21/13'
APPROVED	Ray	01/21/13'

THE INFORMATION AND DESIGN DISCLOSED HEREIN WAS ORIGINATED BY AND IS THE PROPERTY OF CIRCUIT ASSEMBLY CORPORATION. CIRCUIT ASSEMBLY CORPORATION RESERVES ALL PATENT, PROPRIETARY, DESIGN, MANUFACTURING, REPRODUCTION, USE AND SALES RIGHTS THERE TO, AND TO ANY ARTICLE DISCLOSED HEREIN EXCEPT TO THE EXTENT RIGHTS ARE EXPRESSLY GRANTED TO OTHERS. THE FOREGOING DOES NOT APPLY TO VENDOR PROPRIETARY RIGHTS.

CA CIRCUIT ASSEMBLY SHENZHEN
AO XING ROAD, AOBEI 2ND VILLAGE, HENGGANG TOWN

**ASSEMBLY DRAWING FOR ALTERNATIVE ENERGY
TEE JOINT CONNECTOR(RoHS)**

SIZE	CODE IDENT NO.	DRAWING NO.	REV.
C	52072	H630007	E

SCALE: 1:1 SHEET 1 OF 2

PART NO. CA-H630007-11


REVISIONS			
LTR	DESCRIPTION	DATE	APPROVED
	SEE PAGE 1		

NOTES:

1. SPECIFICATIONS:

CONTACT SIZE	2.5mm ² /14AWG	4.0mm ² /12AWG	6.0mm ² /10AWG
RATED CURRENT	30A (UL)		
RATED VOLTAGE	1000V(IEC/CEI) 1000V(UL)		
TEST VOLTAGE	6kV(50Hz,1min)		
OVERVOLTAGE CATEGORY/POLLUTION DEGREE	CATIII/1		
CONTACT RESISTANCE OF PLUG CONNECTORS	0.5m Ω		
LOCKING SYSTEM	SNAP-IN		
DEGREE OF PROTECTION, MATED	IP67		
DEGREE OF PROTECTION, UNMATED	IP2X		
SAFETY CLASS	II		
AMBIENT TEMPERATURE RANGE	-40°C ~ +90°C (IEC/CEI) -40°C ~ +90°C (UL)		
UPPER LIMITING TEMPERATURE	105°C (IEC/CEI)		
CERTIFICATION	UL AND TUV		
STRIP LENGTH	7.00mm		

- 2. USE CRIMPING TOOL CA-AES-CT-15 TO CRIMP CONTACT,REFER TO CA DWG # H120014
- 3. MEETS THE REQUIREMENTS OF THE EUROPEAN PARLIAMENT AND THE RESTRICTION OF THE USE OF CERTAIN HAZARDOUS SUBSTANCES IN ELECTRICAL AND ELECTRONIC EQUIPMENT. (ROHS)
- 4. PATENT NUMBER 201220551160.1/201230512072.6

<small>DIMENSIONS ARE IN MILLIMETERS TOLERANCES ARE:</small> <small>DECIMALS ANGLES</small> <small>.X ±.25 ±3°</small> <small>.XX ±.13</small>	APPROVALS		DATE	 CIRCUIT ASSEMBLY SHENZHEN <small>AO XING ROAD, AOBEI 2ND VILLAGE, HENGGANG TOWN</small>	
	DRAWN	James	01/21/13		
	CHECKED	Ray	01/21/13		
<small>DIMENSIONS IN BRACKETS [X.XX] ARE IN INCHES TOLERANCES ARE:</small> <small>DECIMALS ANGLES</small> <small>.XX ±.010 ±3°</small> <small>.XXX ±.005</small>	APPROVED	Ray	01/21/13	ASSEMBLY DRAWING FOR ALTERNATIVE ENERGY TEE JOINT CONNECTOR(RoHS)	
	<small>THE INFORMATION AND DESIGN DISCLOSED HEREIN WAS ORIGINATED BY AND IS THE PROPERTY OF CIRCUIT ASSEMBLY CORPORATION. CIRCUIT ASSEMBLY CORPORATION RESERVES ALL PATENT, PROPRIETARY, DESIGN, MANUFACTURING, REPRODUCTION, USE AND SALES RIGHTS THERE TO, AND TO ANY ARTICLE DISCLOSED HEREIN EXCEPT TO THE EXTENT RIGHTS ARE EXPRESSLY GRANTED TO OTHERS. THE FOREGOING DOES NOT APPLY TO VENDOR PROPRIETARY RIGHTS.</small>				<small>SIZE</small> C
	<small>DO NOT SCALE DRAWING</small>		<small>CODE IDENT NO.</small> 52072		<small>DRAWING NO.</small> H630007
			SCALE: 1:1	SHEET 2 OF 2	