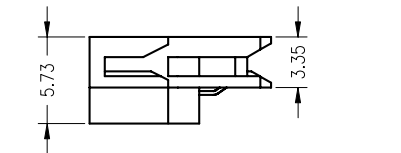
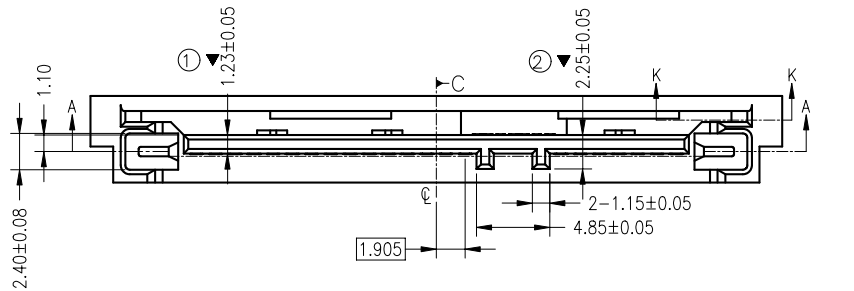


LTR	DESCRIPTION	DATE	APPROVED
A	INITIAL RELEASE SEE DO H4254 H.F	08/10/10'	Ray
B	P/N CHANGED SEE DO H4255 H.F	08/11/10'	Ray
C	TOL CHANGED SEE DO H4436 H.F	12/12/10'	Ray
D	TOL CHANGED SEE DO H5436 H.F	03/06/13'	Ray
E	ADD KEY DIM No. SEE DO H5706 H.F	10/24/13'	Ray
F	ADD VOLTAGE & CURRENT SEE DO H5721 H.F	11/06/13'	Ray



ORDERING NOMENCLATURE :

CA-29SASP-X-13

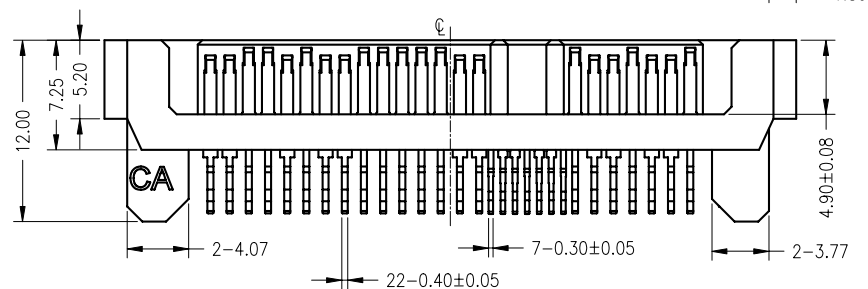
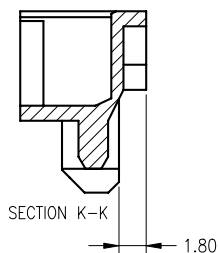
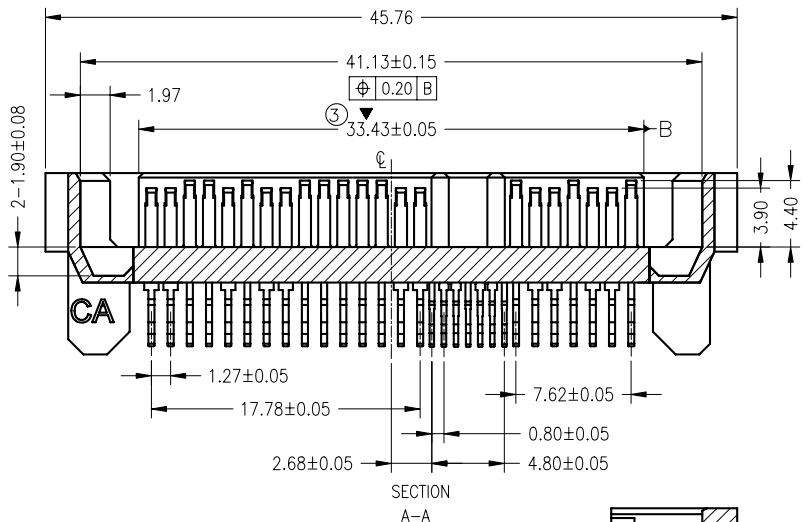
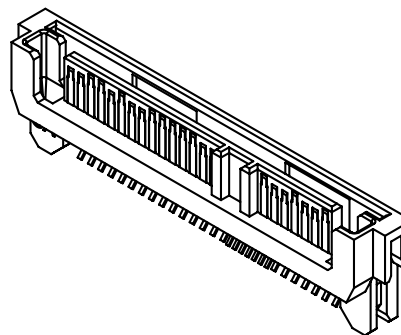
29P SERIAL ATTACHED SCSI PLUG

PLATING A=Gold Flash  
 A3=3u" Au  
 B=10u" Au  
 C=15u" Au  
 D=5u" Au  
 F=30u" Au

TYPE: 13 = 1.00 THK PCB WITH "CA" MARK

NOTES:

- "DESIGN, DRAWINGS AND ELECTRONIC DESIGN MODELS FOR THIS CONNECTOR ARE PROPRIETARY TO CIRCUIT ASSEMBLY CORP. AND ARE SUBJECT TO THE TERMS OF A NON DISCLOSURE AGREEMENT."
- MATERIAL : HOUSING : LCP+30%G.F., UL94V-0, COLOR : BLACK  
 TERMINAL: BRASS,C2680-H, THICKNESS = 0.25±0.01mm
- TERMINAL PLATING : CONTACT AREA : AU PLATED AT CONTACT AREA  
 SOLDER TAIL : 100 u" PURE TIN,  
 UNDER PLATE : 75 u" MINIMUM NICKEL (Ni),
- MARK ▼ DIMENSION MUST CONTROL, MARK ① " IS DIMENSION No. MARK "⊕" DIMENSION MUST CONTROL BY CPK.
- MEETS THE REQUIREMENTS OF DIRECTIVE 2011/65/EU OF THE EUROPEAN PARLIAMENT AND OF THE COUNCIL OF 03 JANUARY 2011 ON THE RESTRICTION OF THE USE OF CERTAIN HAZARDOUS SUBSTANCES IN ELECTRICAL AND ELECTRONIC EQUIPMENT. (ROHS 2.0)
- Dielectric Withstanding voltage: 500VAC
- Insulation resistance: 1000M Ohm minimum
- Current Rating  
 a. Power section(per pin)  
 -Continuous Current 1.5 A  
 -Peak Current 2.5A 1.5s  
 -Peak Current Pre-charge 6 A for1ms.  
 b. Signal section (per pin)  
 -Continuous Current 500 mA
- Operating temperature: 0°C to 55°C  
 Non-operating temperature: -40°C to 85°C



DIMENSIONS ARE IN MILLIMETERS TOLERANCES ARE:

DECIMALS ANGLES  
 X @ .25 @3~  
 XX @ .13

DIMENSIONS IN BRACKETS [X.XX] ARE IN INCHES TOLERANCES ARE:

DECIMALS ANGLES  
 XX @ .010 @3~  
 XXX @ .005

DO NOT SCALE DRAWING

APPROVALS	DATE
DRAWN Hifong	08/10/10'
CHECKED Ray	08/10/10'
APPROVED Ray	08/10/10'

THE INFORMATION AND DESIGN DISCLOSED HEREIN IS THE PROPERTY OF CIRCUIT ASSEMBLY CORPORATION. CIRCUIT ASSEMBLY CORPORATION RESERVES ALL PATENT, PROPRIETARY, DESIGN, MANUFACTURING, REPRODUCTION, USE AND SALES RIGHTS THERE TO, AND TO ANY ARTICLE DISCLOSED HEREIN EXCEPT TO THE EXTENT RIGHTS ARE EXPRESSLY GRANTED TO OTHERS. THE FOREGOING DOES NOT APPLY TO VENDOR PROPRIETARY RIGHTS.

CIRCUIT ASSEMBLY SHENZHEN 10 XING ROAD, AOBEI 2ND VILLAGE, HENGGANG TOWN			
SAS 29P LATCH STRADDLE MOUNT PLUG			
SIZE	CODE IDENT NO.	DRAWING NO.	REV.
C	52072	H620112	F
SCALE: 1 : 1		SHEET 1 OF 3	

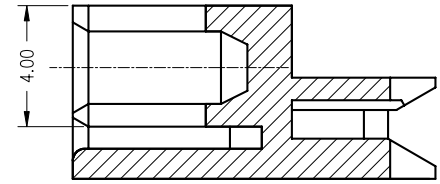
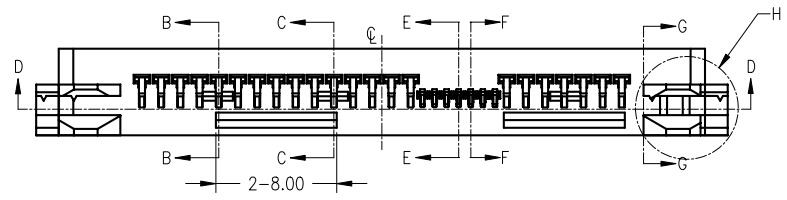
4

3

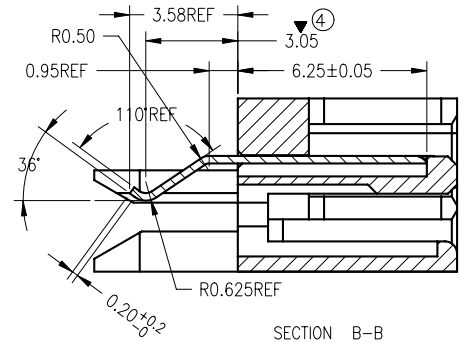
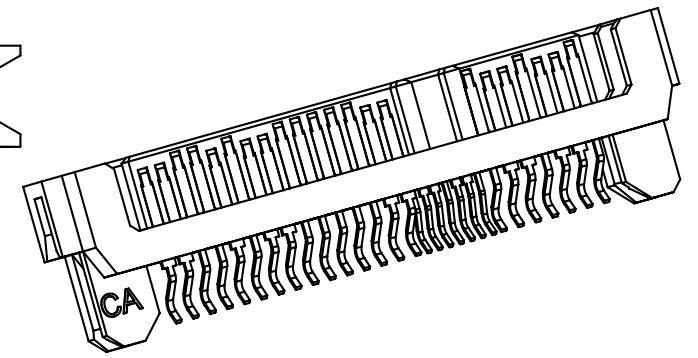
2

1

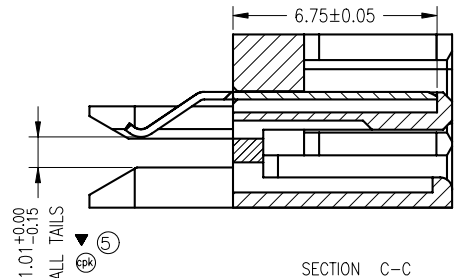
REVISIONS			
LTR	DESCRIPTION	DATE	APPROVED
SEE PAGE 1			



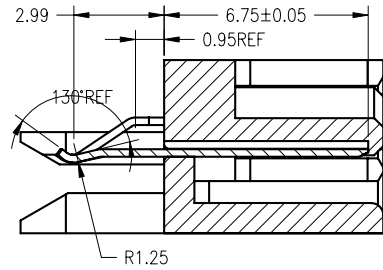
SECTION G-G  
SCALE 2:1



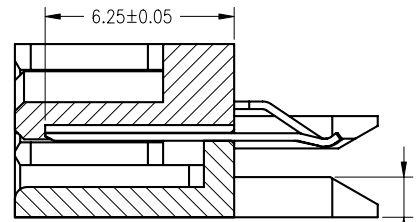
SECTION B-B  
SCALE 2:1



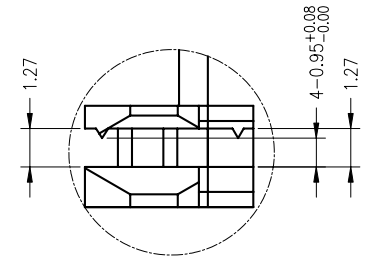
SECTION C-C  
SCALE 2:1



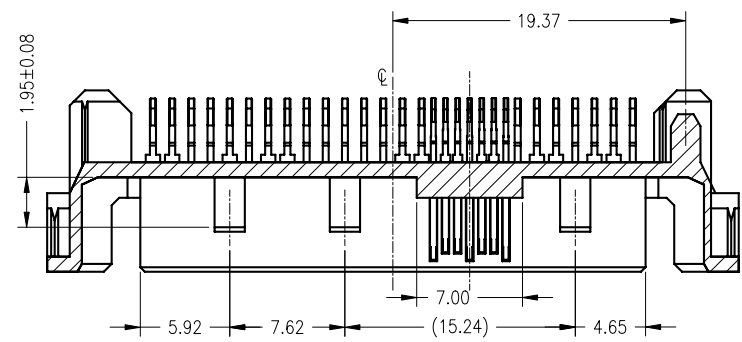
SECTION E-E  
SCALE 2:1



SECTION F-F  
SCALE 2:1



DETAIL H  
SCALE 2:1



SECTION D-D

DIMENSIONS ARE IN MILLIMETERS  
TOLERANCES ARE:  
DECIMALS ANGLES  
X ± .25 ±3°  
XX ± .13  
DIMENSIONS IN BRACKETS [X.XX]  
ARE IN INCHES TOLERANCES ARE:  
DECIMALS ANGLES  
XX ± .010 ±3°  
XXX ± .005  
DO NOT SCALE DRAWING

APPROVALS		DATE
DRAWN	Hifong	08/10/10
CHECKED	Ray	08/10/10
APPROVED	Ray	08/10/10

<b>CA</b>	CIRCUIT ASSEMBLY SHENZHEN		
	AO XING ROAD, AOEBI 2ND VILLAGE, HENGGANG TOWN		
<b>SAS 29P LATCH STRADDLE MOUNT PLUG</b>			
SIZE	CODE IDENT NO.	DRAWING NO.	REV.
C	52072	H620112	F
SCALE: 1 : 1		SHEET 2 OF 3	

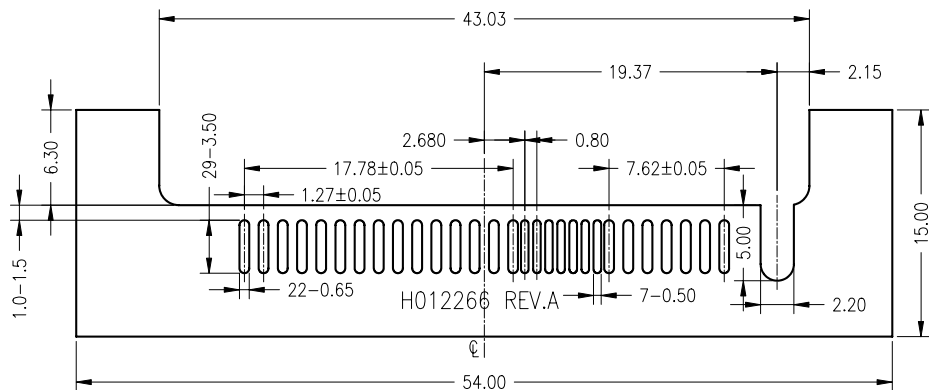
4

3

2

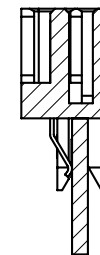
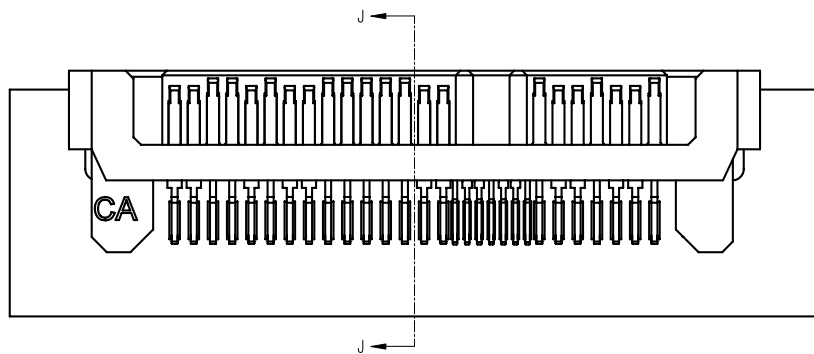
1

REVISIONS			
LTR	DESCRIPTION	DATE	APPROVED
SEE PAGE 1			



RECOMMENDED PCB THICKNESS T=1.00±0.05

PCB TOLERANCE IS ±0.05



SECTION J-J  
SCALE 4 : 1

DIMENSIONS ARE IN MILLIMETERS  
TOLERANCES ARE:

DECIMALS ANGLES  
X ± .25 ±3°  
XX ± .13

DIMENSIONS IN BRACKETS [X.XX]  
ARE IN INCHES TOLERANCES ARE:

DECIMALS ANGLES  
XX ± .010 ±5°  
XXX ± .005

DO NOT SCALE DRAWING

APPROVALS		DATE
DRAWN	Hifong	08/10/10
CHECKED	Ray	08/10/10
APPROVED	Ray	08/10/10

THE INFORMATION AND DESIGN DISCLOSED HEREIN WAS ORIGINATED BY AND IS THE PROPERTY OF CIRCUIT ASSEMBLY CORPORATION. CIRCUIT ASSEMBLY CORPORATION RESERVES ALL PATENT, PROPRIETARY, DESIGN, MANUFACTURING, REPRODUCTION, USE AND SALES RIGHTS THERETO, AND TO ANY ARTICLE DISCLOSED HEREIN EXCEPT TO THE EXTENT RIGHTS ARE EXPRESSLY GRANTED TO OTHERS. THE FOREGOING DOES NOT APPLY TO VENDOR PROPRIETARY RIGHTS.

**CA** CIRCUIT ASSEMBLY SHENZHEN  
AO XING ROAD, AOBEI 2ND VILLAGE, HENGGANG TOWN

## SAS 29P LATCH STRADDLE MOUNT PLUG

SIZE	CODE IDENT NO.	DRAWING NO.	REV.
C	52072	H620112	F

SCALE: 1 : 1

SHEET 3 OF 3