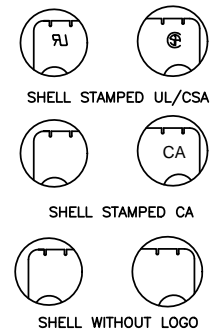
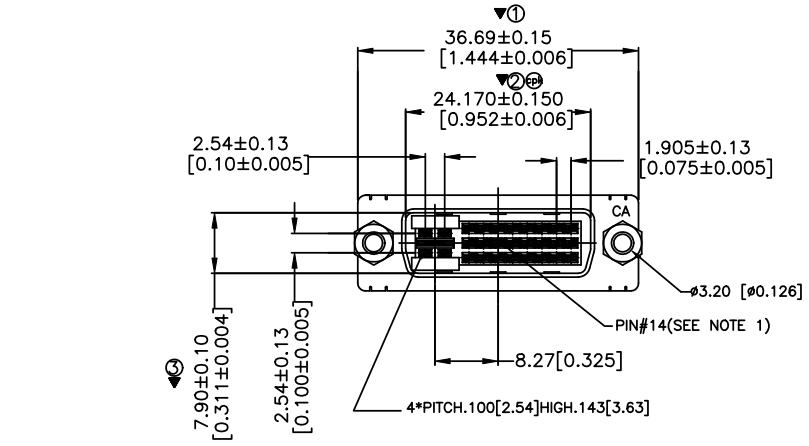


LTR	DESCRIPTION	DATE	APPROVED
A	INITIAL RELEASE SEE E031204H235		Robbie
B	CHANGE SEE DO H3317 Lucy	04/17/09'	Ray
C	Modify the shell plating description see do H6351 Venn	02/02/15'	Ray
D	Change screw length see do H6854 Venn	12/30/15'	Ray
E	Critical dimension marked and Rohs 2.0 see do H6881 Venn	01/21/16'	Ray



CA-29DVIPI-X-X-X-X-1

NUMBER OF POSITIONS 29
 PLUG _____
 PRODUCT TYPE _____
 I=INTEGRATED DIGITAL/ANALOG

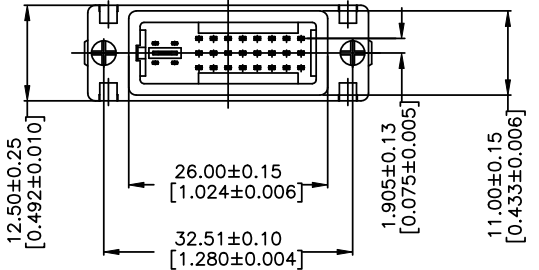
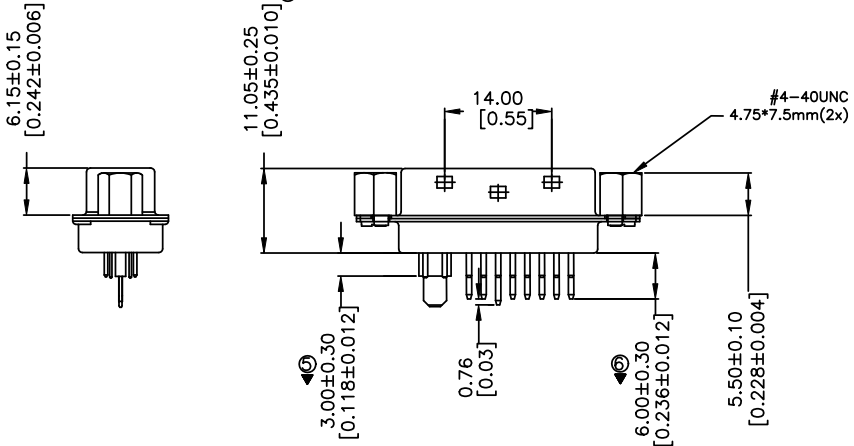
PLATING
 A=30" GOLD CONTACT AREA.TIN TERMINATION AREA
 C=15U" GOLD CONTACT AREA.TIN TERMINATION AREA
 F=30U" GOLD CONTACT AREA. TIN TERMINATION AREA
 D=5U" GOLD CONTACT AREA.TIN TERMINATION AREA
 B=1U" GOLD CONTACT AREA.TIN TERMINATION AREA

HOUSING COLOR
 B=BLACK W=WHITE G=GRAY

SHELL PLATING
 0=SPECIAL TIN PLATING
 1=GOLD FLASH 1U"
 2=OVER NICKEL
 3=GOLD PLATED 3U"
 4=AROUND SHELL. GOLD PLATED 3U"
 5=TIN/COBALT PLATED
 6=LOW POLLUTANT
 7=FRONT SILVER AND BEFORE TIN

OPTIONS(LOGO MARKING)
 BLANK=NO LOGO A=CA D=UL/CSA

SCREW PROFILE:
 1=#4-40 UNC 4.75*7.50



- NOTES:
- MEETS THE REQUIREMENTS OF DIRECTIVE 2011/65/EU OF THE EUROPEAN PARLIAMENT AND OF THE COUNCIL OF 03 JANUARY 2011 ON THE RESTRICTION OF THE USE OF CERTAIN HAZARDOUS SUBSTANCES IN ELECTRICAL AND ELECTRONIC EQUIPMENT. (ROHS 2.0)
 - CONTACT HEIGHT FOR PIN#14 IS .185[4.70] BALANCE OF CONTACTS .215[5.46]
 - FOR SPECIFICATION AND PERFORMANCE CHARACTERISTICS SEE CA DWG 100252
 - ENVIRONMENTAL: TEMPERATURE RANGE -20°C TO +85°C
 - ELECTRICAL:
 RATED: 1.5A @ 40V AC (ms)
 CONTACT RESISTANCE: 20 MILLIOHMS MAXIMUM
 INSULATION RESISTANCE: 1000 MEGOHMS MINIMUM
 DIELECTRIC WITHSTANDING VOLTAGE:500V AC (ms)
 - MECHANICAL:
 MATING FORCE: 10 LB.(4.5Kg) MAXIMUM
 UNMATING FORCE: 2.2LB.(1Kg) MINIMUM,8.8LB.(4Kg)MAXIMUM
 - MATERIAL:
 HOUSING: GLASS FILLED THERMOPLASTIC,UL 94V-0
 CONTACT: BRASS
 SHELL : STEEL
 - MARK" ▽ "DIMENSION MUST CONTROL,MARK" ⊗ "IS DIM No.
 MARK" ⊕ "DIMENSION MUST CONTROL BY CPK.

DIMENSIONS ARE IN MILLIMETERS TOLERANCES ARE:		APPROVALS	DATE
DECIMALS	ANGLES	DRAWN LUCY YAN CHECKED Eric YAN APPROVED Robbie	12/04/03'
X ± .25	±2°		12/04/03'
XX ± .13			12/18/03'
DIMENSIONS IN BRACKETS (X.XX) ARE IN INCHES TOLERANCES ARE:		THE INFORMATION AND DESIGN DISCLOSED HEREIN WAS ORIGINATED BY AND IS THE PROPERTY OF CIRCUIT ASSEMBLY CORPORATION. CIRCUIT ASSEMBLY CORPORATION RESERVES ALL PATENT, PROPRIETARY, DESIGN, MANUFACTURING, REPRODUCTION, USE AND SALES RIGHTS THERETO, AND TO ANY ARTICLE DISCLOSED HEREIN EXCEPT TO THE EXTENT RIGHTS ARE EXPRESSLY GRANTED TO OTHERS. THE FOREGOING DOES NOT APPLY TO VENDOR PROPRIETARY RIGHTS.	
DECIMALS	ANGLES	DO NOT SCALE DRAWING	
XX ± .010	±2°		
XXX ± .005			

CA CIRCUIT ASSEMBLY SHENZHEN
 AO XING ROAD, AOBEI 2ND VILLAGE, HENGGANG TOWN

PLATING MALE DVI CONN INTEGRATED DIGITAL/ANALOG 24+5

SIZE	CODE IDENT NO.	DRAWING NO.	REV.
C	52072	H620020	E

SCALE: 1:1 SHEET 1 OF 1