

REV.	DESCRIPTION	DATE	APPD.
A	NEW RELEASE , SEE DO:H4836	4/15/11'	Ray
B	SEE DO :H5004 Jason	2/01/11'	Ray
C	SEE DO :H5109 Jason	3/22/12'	Ray

ORDERING NOMENCLATURE :

CA-01AESSL-XXX

ALTERNATIVE ENERGY SOLAR SOCKET LOCKING

CABLE SIZE

- 1= 2.5mm²(OPTION) 4= 14AWG(OPTION) 7= 2.5mm² & 14AWG(STANDARD)
- 2= 4.0mm²(OPTION) 5= 12AWG(OPTION) 8= 4.0mm² & 12AWG(STANDARD)
- 3= 6.0mm²(OPTION) 6= 10AWG(OPTION) 9= 6.0mm² & 10AWG(STANDARD)

① MARK (POLARITY)

- 1= PLUS WITH MARK "+"(STANDARD).
- 2= MINUS WITH MARK "-"(OPTION).

CONTACT

- 1= HAVE CONTACT(UNASSEMBLED)(SEE NOTE 2)
- 2= NO CONTACT

NOTES:

1. MATERIAL :

HOUSING&COVER : HIGH TEMPERATURE THERMOPLASTIC PPO PX9406P., UL94V-0, COLOR : BLACK

"O" RING : SILICON DIOXIDE, COLOR: BLACK.

WATERPROOF RING: SILICON TSE221-3U, COLOR: BLACK

RETENTION SUPPORT: SUS304.

CONTACT: COPPER ALLOY.

2. APPLICABLE CONTACT IS SHIPPED UNASSEMBLED, PACKAGED WITH REEL.

ITEM	P/N	CONDUCTOR CROSS AREA	DWG NO.
1	AESS/T-1	2.5mm ² /14AWG	H011292
2	AESS/T-2	4.0~6.0mm ² /12~10AWG	

3. A TOOL IS REQUIRED TO WRENCH/ASSEMBLY/UNLOCK.

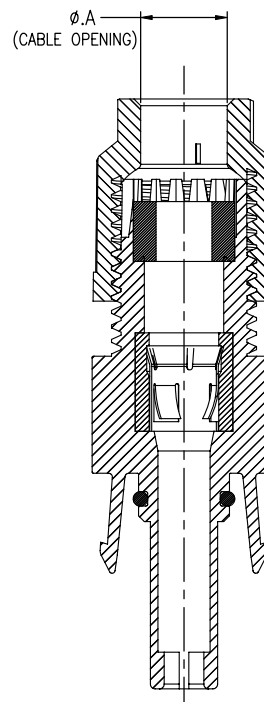
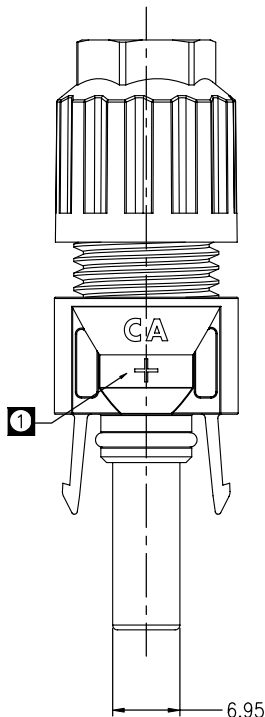
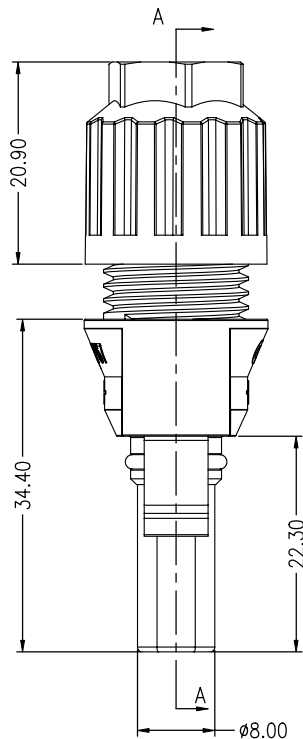
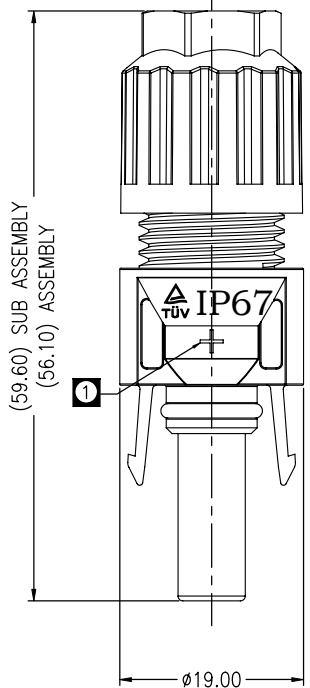
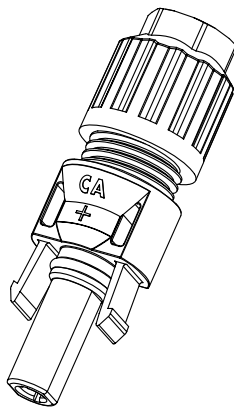
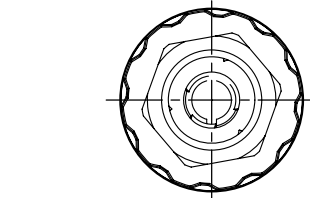
ITEM	P/N	DWG NO.
1	AESL-T2	H010438

4. MARK ▼ DIMENSION MUST CONTROL

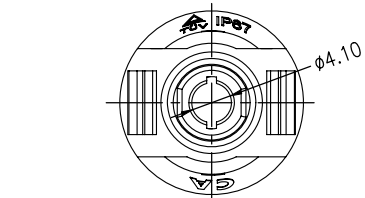
5. UL and TUV IS PENDING.

6. ALL DIMENSION MEASURE BY FAI

7. MEETS THE REQUIREMENTS OF DIRECTIVE 2002/95/EC OF THE EUROPEAN PARLIAMENT AND OF THE COUNCIL OF 27 JANUARY 2003 ON THE RESTRICTION OF THE USE OF CERTAIN HAZARDOUS SUBSTANCES IN ELECTRICAL AND ELECTRONIC EQUIPMENT(ROHS)



SECTION A-A



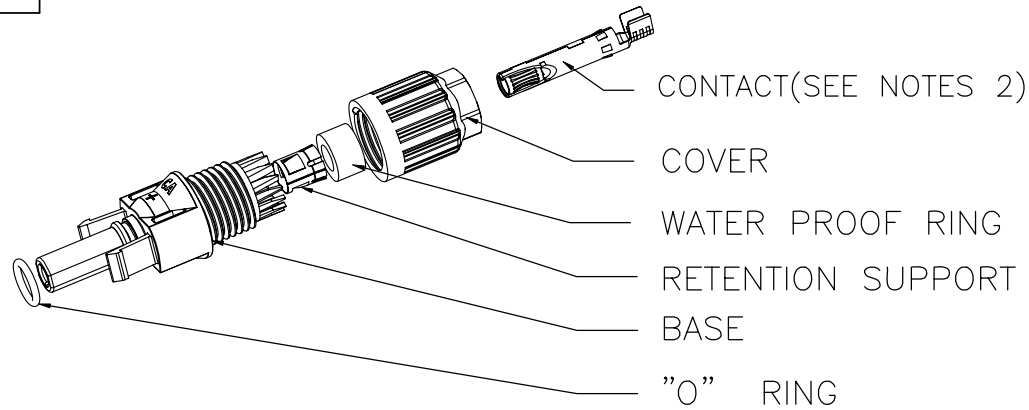
MILLIMETERS	INCH
X.° ± 2'	X.° ± 2'
.X ± 0.20	.X ± .008
.XX ± 0.15	.XX ± .006
.XXX ± 0.10	.XXX ± 0.004

THESE DRAWINGS AND SPECIFICATIONS ARE THE PROPERTY OF CIRCUIT ASSEMBLY SHEN ZHEN AND SHALL NOT BE REPRODUCED. COPIED OR USED IN ANY MANNER WITHOUT THE PRIOR WRITTEN CONSENT OF CIRCUIT ASSEMBLY SHEN ZHEN

UNITS	MM	NAME(INTENDED USE)
MAT'L	SEE NOTES	PART NO.(INTENDED USE) CA-01AESSL-XXX
FINISH	SEE NOTES	APPD: Ray 04-15-11
Q'TY	CHKD: Ray 04-15-11	DWG NO.: H619001
	DR: John 04-15-11	SCALE SHEET REV. 1/1 1/4 c

CA CIRCUIT ASSEMBLY SHENZHEN
CA INDUSTRIAL BUILDING, AOXING ROAD,
AOBEI SECOND VILLAGE, HENGANG TOWN,
SHENZHEN CITY, GUANGDONG, PROVINCE, CHINA.

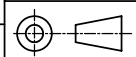
TITLE:
ASSEMBLY DRAWING FOR SOLAR SOCKET LOCKING CONNECTOR(ROHS)



ITEM	CONNECTOR P/N:	BASE P/N:	CONTACT P/N:	"O" RING P/N:	WATER PROOF RING P/N:	RETENTION SUPPORT P/N:	COVER P/N:	RECOMMEND WIRE JACKET SIZE(OD)
1	CA-01AESSL-111	AESS/B-3-1	AESS/T-1	AES/R001	AES/R002	AES/S	AES/C-2 (φA=7.40)	2.5mm ² (OD: 5.1±0.20mm)
2	CA-01AESSL-112							
3	CA-01AESSL-121	AESS/B-3-2	AESS/T-1					
4	CA-01AESSL-122							
5	CA-01AESSL-131	AESS/B-3-3	AESS/T-1		AES/R003	AES/S	AES/C-2 (φA=7.40)	4.0mm ² (OD: 5.7±0.30mm)
6	CA-01AESSL-132							
7	CA-01AESSL-211	AESS/B-3-1	AESS/T-2					
8	CA-01AESSL-212	AESS/B-3-2	AESS/T-2		AES/R006		AES/C-2 (φA=7.40)	6.0mm ² (OD: 6.5±0.30mm)
9	CA-01AESSL-221	AESS/B-3-3	AESS/T-2					
10	CA-01AESSL-222				AES/R006		AES/C-2 (φA=7.40)	6.0mm ² (OD: 6.5±0.30mm)
11	CA-01AESSL-231	AESS/B-1-1	AESS/T-2					
12	CA-01AESSL-232							
13	CA-01AESSL-311	AESS/B-1-2	AESS/T-2					
14	CA-01AESSL-312							
15	CA-01AESSL-321	AESS/B-1-3	AESS/T-2					
16	CA-01AESSL-322							
17	CA-01AESSL-331							
18	CA-01AESSL-332							

TO BE CONTINUED

MILLIMETERS	INCH	UNITS	MM	NAME(INTENDED USE)	CIRCUIT ASSEMBLY SHENZHEN <small>CA INDUSTRIAL BUILDING, AOXING ROAD, AOBEL SECOND VILLAGE, HENGANG TOWN, SHENZHEN CITY, GUANGDONG, PROVINCE, CHINA.</small>		
X° ± 2'	X° ± 2'	MAT'L		PART NO.(INTENDED USE)			
.X ± 0.20	.X ± .008	SEE NOTES		CA-01AESSL-XXX	TITLE:		
.XX ± 0.15	.XX ± .006	FINISH		APPD: Ray 04-15-11	ASSEMBLY DRAWING FOR SOLAR SOCKET LOCKING CONNECTOR(RoHS)		
.XXX ± 0.10	.XXX ± 0.004	SEE NOTES		CHKD: Ray 04-15-11	DWG NO.:		
<small>THESE DRAWINGS AND SPECIFICATIONS ARE THE PROPERTY OF CIRCUIT ASSEMBLY SHEN ZHEN AND SHALL NOT BE REPRODUCED. COPIED OR USED IN ANY MANNER WITHOUT THE PRIOR WRITTEN CONSENT OF CIRCUIT ASSEMBLY SHEN ZHEN</small>				Q'TY	H619001		
				DR: John 04-15-11	<table border="1" style="display: inline-table; border-collapse: collapse;"> <tr> <td>SCALE</td> <td>SHEET</td> <td>REV.</td> </tr> <tr> <td>1/1</td> <td>2/4</td> <td>c</td> </tr> </table>	SCALE	SHEET
SCALE	SHEET	REV.					
1/1	2/4	c					



ITEM	CONNECTOR P/N:	BASE P/N:	CONTACT P/N:	"O" RING P/N:	WATER PROOF RING 2 P/N:	RETENTION SUPPORT P/N:	COVER P/N:	RECOMMEND WIRE JACKET SIZE(OD)	
19	CA-01AESSL-411	AESS/B-3-1	AESS/T-1	AES/R001	AES/R009	AES/S	AES/C-2 ($\phi A=7.40$)	14AWG(OD: 5.9±0.20mm)	
20	CA-01AESSL-412		/						
21	CA-01AESSL-421	AESS/B-3-2	AESS/T-1						
22	CA-01AESSL-422		/						
23	CA-01AESSL-431	AESS/B-3-3	AESS/T-1						
24	CA-01AESSL-432		/						
25	CA-01AESSL-511	AESS/B-1-1	AESS/T-2		AES/R006		AES/S	AES/C-2 ($\phi A=7.40$)	12AWG(OD: 6.4±0.30mm)
26	CA-01AESSL-512		/						
27	CA-01AESSL-521	AESS/B-1-2	AESS/T-2						
28	CA-01AESSL-522		/						
29	CA-01AESSL-531	AESS/B-1-3	AESS/T-2						
30	CA-01AESSL-532		/						
31	CA-01AESSL-611	AESS/B-2-1	AESS/T-2	AES/R007	AES/S	AES/C-1 ($\phi A=8.90$)		10AWG(OD: 7.0±0.30mm)	
32	CA-01AESSL-612		/						
33	CA-01AESSL-621	AESS/B-2-2	AESS/T-2						
34	CA-01AESSL-622		/						
35	CA-01AESSL-631	AESS/B-2-3	AESS/T-2						
36	CA-01AESSL-632		/						
37	CA-01AESSL-711	AESS/B-1-1	AESS/T-1	AES/R006		AES/S	AES/C-2 ($\phi A=7.40$)	2.5mm ² &14AWG(OD: 6.5±0.20mm)	
38	CA-01AESSL-712		/						
39	CA-01AESSL-721	AESS/B-1-2	AESS/T-1						
40	CA-01AESSL-722		/						
41	CA-01AESSL-731	AESS/B-1-3	AESS/T-1						
42	CA-01AESSL-732		/						

TO BE CONTINUED

MILLIMETERS	INCH	UNITS	MM	NAME(INTENDED USE)	CIRCUIT ASSEMBLY SHENZHEN <small>CA INDUSTRIAL BUILDING, AOXING ROAD, AOBELI SECOND VILLAGE, HENGANG TOWN, SHENZHEN CITY, GUANGDONG, PROVINCE, CHINA.</small>	
X° ± 2'	X° ± 2'	MAT'L		PART NO.(INTENDED USE)		TITLE:
.X ± 0.20	.X ± .008	SEE NOTES		CA-01AESSL-XXX	ASSEMBLY DRAWING FOR SOLAR SOCKET LOCKING CONNECTOR(RoHS)	
.XX ± 0.15	.XX ± .006	FINISH		APPD:	DWG NO.:	
.XXX ± 0.10	.XXX ± 0.004	SEE NOTES		Ray 04-15-11	H619001	
THESE DRAWINGS AND SPECIFICATIONS ARE THE PROPERTY OF CIRCUIT ASSEMBLY SHEN ZHEN AND SHALL NOT BE REPRODUCED. COPIED OR USED IN ANY MANNER WITHOUT THE PRIOR WRITTEN CONSENT OF CIRCUIT ASSEMBLY SHEN ZHEN				CHKD:	DR:	
				Ray 04-15-11	John 04-15-11	
						SCALE
				1/1	3/4	c

ITEM	CONNECTOR P/N:	BASE P/N:	CONTACT P/N:	"O" RING P/N:	WATER PROOF RING 2 P/N:	RETENTION SUPPORT P/N:	COVER P/N:	RECOMMEND WIRE JACKET SIZE(OD)		
43	CA-01AESSL-811	AESS/B-1-1	AESS/T-2	AES/R001	AES/R006	AES/S	AES/C-2 ($\phi A=7.40$)	4.0mm ² &12AWG(OD: 6.8±0.30mm)		
44	CA-01AESSL-812		AESS/T-2							
45	CA-01AESSL-821	AESS/B-1-2	AESS/T-2							
46	CA-01AESSL-822		AESS/T-2							
47	CA-01AESSL-831	AESS/B-1-3	AESS/T-2							
48	CA-01AESSL-832		AESS/T-2							
49	CA-01AESSL-911	AESS/B-2-1	AESS/T-2		AES/R005		AES/S		AES/C-1 ($\phi A=8.90$)	6.0mm ² &10AWG(OD: 7.6±0.30mm)
50	CA-01AESSL-912		AESS/T-2							
51	CA-01AESSL-921	AESS/B-2-2	AESS/T-2							
52	CA-01AESSL-922		AESS/T-2							
53	CA-01AESSL-931	AESS/B-2-3	AESS/T-2							
54	CA-01AESSL-932		AESS/T-2							

MILLIMETERS	INCH	UNITS	MM	NAME(INTENDED USE)	CIRCUIT ASSEMBLY SHENZHEN <small>CA INDUSTRIAL BUILDING, AOXING ROAD, AOSBI SECOND VILLAGE, HENGANG TOWN, SHENZHEN CITY, GUANGDONG, PROVINCE, CHINA.</small>						
X° ± 2'	X° ± 2'	MAT'L		PART NO.(INTENDED USE)		TITLE: ASSEMBLY DRAWING FOR SOLAR SOCKET LOCKING CONNECTOR(RoHS)					
.X ± 0.20	.X ± .008	SEE NOTES		CA-01AESSL-XXX	DWG NO.: H619001						
.XX ± 0.15	.XX ± .006	SEE NOTES		APPD: Ray 04-15-11		<table style="display: inline-table; border-collapse: collapse;"> <tr> <td style="border: 1px solid black; padding: 2px;">SCALE</td> <td style="border: 1px solid black; padding: 2px;">SHEET</td> <td style="border: 1px solid black; padding: 2px;">REV.</td> </tr> <tr> <td style="text-align: center;">1/1</td> <td style="text-align: center;">4/4</td> <td style="text-align: center;">c</td> </tr> </table>	SCALE	SHEET	REV.	1/1	4/4
SCALE	SHEET	REV.									
1/1	4/4	c									
.XXX ± 0.10	.XXX ± 0.004	SEE NOTES		CHKD: Ray 04-15-11							
THESE DRAWINGS AND SPECIFICATIONS ARE THE PROPERTY OF CIRCUIT ASSEMBLY SHEN ZHEN AND SHALL NOT BE REPRODUCED. COPIED OR USED IN ANY MANNER WITHOUT THE PRIOR WRITTEN CONSENT OF CIRCUIT ASSEMBLY SHEN ZHEN				DR: John 04-15-11							